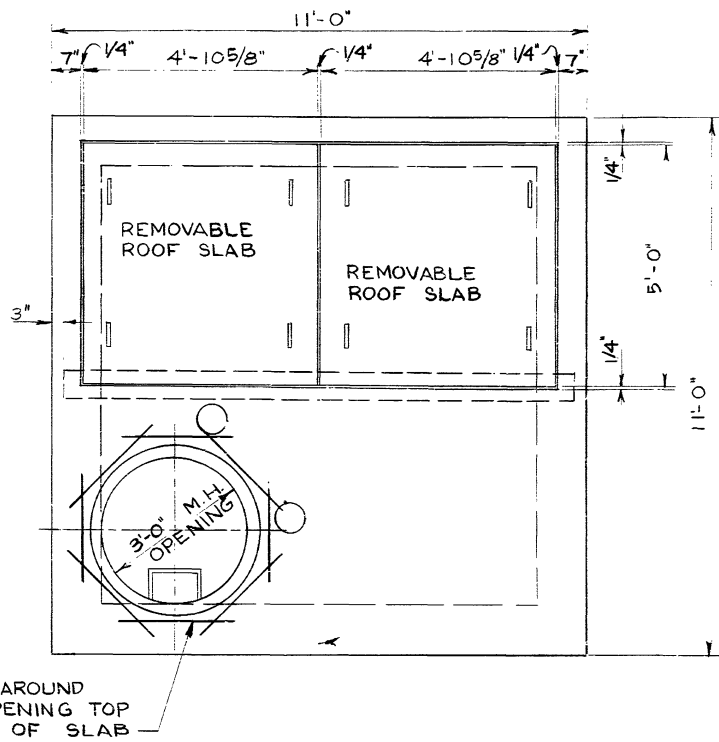
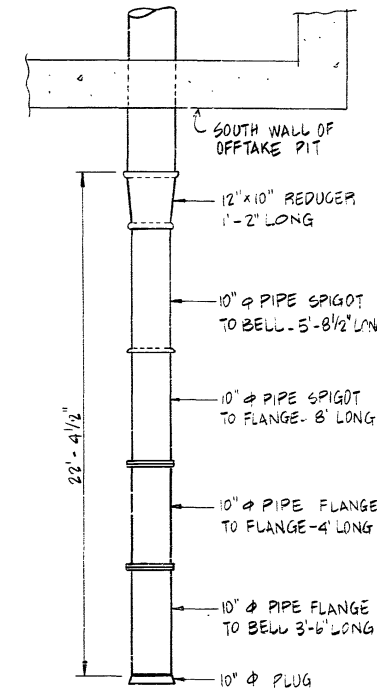


OFFTAKE STA. 26+19.74
SEE DETAIL 1 THIS SHEET
FOR PIPING DETAIL.



* 6 BARS ALL AROUND
MANHOLE OPENING TOP
AND BOTTOM OF SLAB



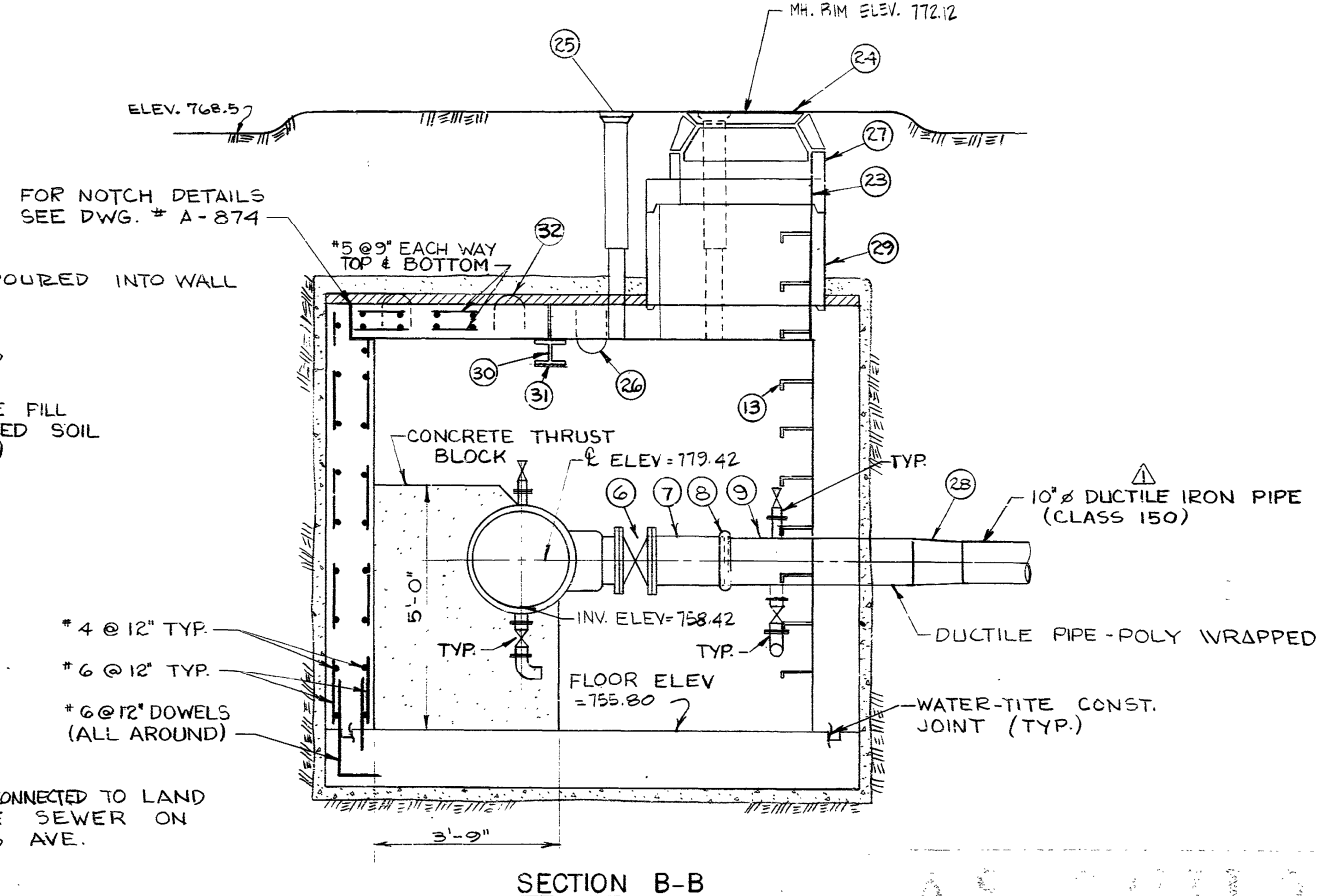
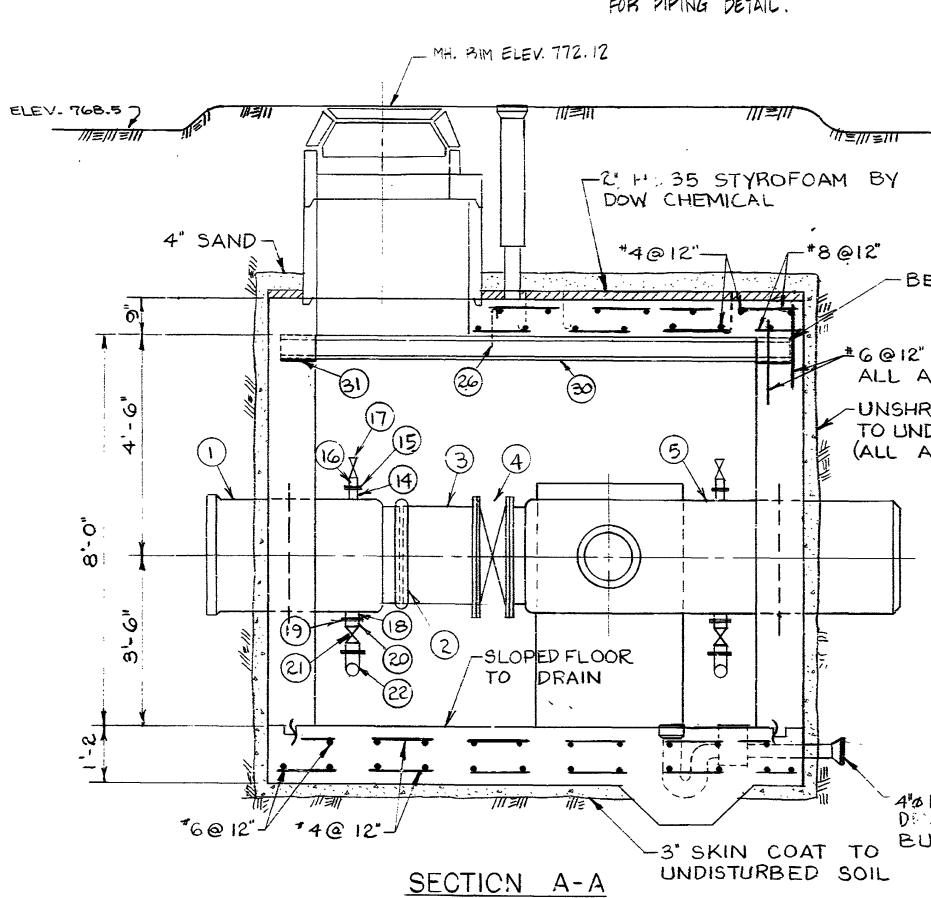
(DUCTILE IRON PIPE FROM OFFTAKE
PIT TO METER PIT AT BURROWS AVE)

NO.	DESCRIPTION	LENGTH	QTY.	DETAIL NO.
1.*	24" Ø CONCRETE PIPE (SHORT) (SPIGOT TO BELL)	4'-0"	1	
2.*	24" Ø VICTAULIC COUPLING STYLE #51		1	
3.*	24" Ø CONCRETE PIPE ADAPTOR	1'-6"	1	
4.*	24" Ø BUTTERFLY VALVE (A.W.W.A.)		1	
5.*	24" x 24" x 12" Ø CONCRETE TEE - SPIGOT TO FLANGE	8'-0"	1	
6.*	12" Ø BUTTERFLY VALVE (A.W.W.A.)		1	
7.	12" Ø DUCTILE IRON PIPE ADAPTOR	1'-6"	1	
8.*	12" Ø VICTAULIC COUPLING STYLE #51		1	
9.	12" Ø DUCTILE IRON PIPE (SHORT) (SPIGOT TO VICTAULIC)	4'-0"	1	
10.	4" C.I. "P" TRAP AND DRAIN C/W SCREW ON COVER		1	
11.	4" Ø BACKWATER VALVE		1	
12.	4" C.I. PIPE (SPIGOT TO BELL)		1	
13.	STANDARD CITY OF WINNIPEG MANHOLE STEPS AT 12" C-C.		10	A-817
14.	2" Ø STEEL OUTLET - FLANGED		3	
15.	2" Ø THREADED FLANGE		3	
16.	2" Ø BRONZE NIPPLE - THREADED		3	
17.	2" Ø BRONZE GATE VALVE - THREADED		3	
18.	3" Ø STEEL OUTLET - FLANGED		3	
19.	3" Ø THREADED FLANGE		3	
20.	3" Ø BRONZE NIPPLE - THREADED		3	
21.	3" Ø BRONZE GATE VALVE - THREADED		3	
22.	3" Ø BRONZE - THREADED AND GALVANIZED		3	
23.	36" to 30" ASTM C-76 CLASS II PRECAST CONCRETE ECCENTRIC FLAT TOP REDUCER SECTION		1	
24.	STD. CITY OF WINNIPEG WATERWORKS MANHOLE FRAME AND SOLID COVER		1	A-796
25.	LARGE ADJUSTABLE VALVE BOX AND STANDARD CITY OF WINNIPEG COVER		2	
26.	U-BOLT HOOKS		4	A-877
27.	MAXIMUM 2 ROWS CONCRETE BRICK OR A 6" LONG PRECAST SECTION		1	
28.	12" Ø - 10" Ø DUCTILE IRON REDUCER (BELL TO BELL)		1	
29.	36" Ø ASTM C-76 CLASS II PRECAST CONCRETE MANHOLE SECTIONS		1	
30.	W 8x24 STEEL BEAM (6,40,12)	10'-6"	1	
31.	STEEL BEARING PLAT 9"x6"x3/8"		2	
32.	LIFTING LUG		8	A-878

* TO BE SUPPLIED BY CITY

NOTE: WATERPROOFING APPLIED TO ALL EXTERIOR WALLS

REFERENCE LAYING SCHEDULE F716



NO.	DESCRIPTION	DATE	BY
1	REVISED TO AS-BUILT	JAN 81	T.M.
2	REVISED VALVE OPERATORS TO VALVE SPINDLES	78 07 11	RF
3	REVISED A.C PIPE TO DUCTILE IRON PIPE	78 07 11	RF

The City of Winnipeg
Waterworks, Waste and Disposal Division

ENGINEERING BRANCH
WATERWORKS

INKSTER FEEDERMAIN EXTENSION
OFFTAKE CHAMBER AT
BURROWS AVENUE
STATION 26+19.74

DESIGNED BY: V. Shih
CHECKED BY: [Signature]
APPROVED BY: [Signature]
DATE: 25/9/80

DESIGNED BY	V. Shih	DRAWN BY	R.F.
CHECKED BY	[Signature]	DATE	MAY 19/78
APPROVED BY	[Signature]	SCALE	1/2" = 1'-0"
DRAWING NO.	D 1380		