

PLAN 1
 0 1000 2000 3000 mm SCALE 1:100

IMPORTANT: ASBESTOS NOTIFICATION AND ACKNOWLEDGMENT

Every effort has been made to identify known asbestos containing materials within the areas of the proposed work. As a precautionary measure, where material is encountered by trades and contractors that is suspect or suspicious, the Trade/Contractor/Subcontractor is to contact the Contract Administrator who will have samples taken and tested to confirm its composition.

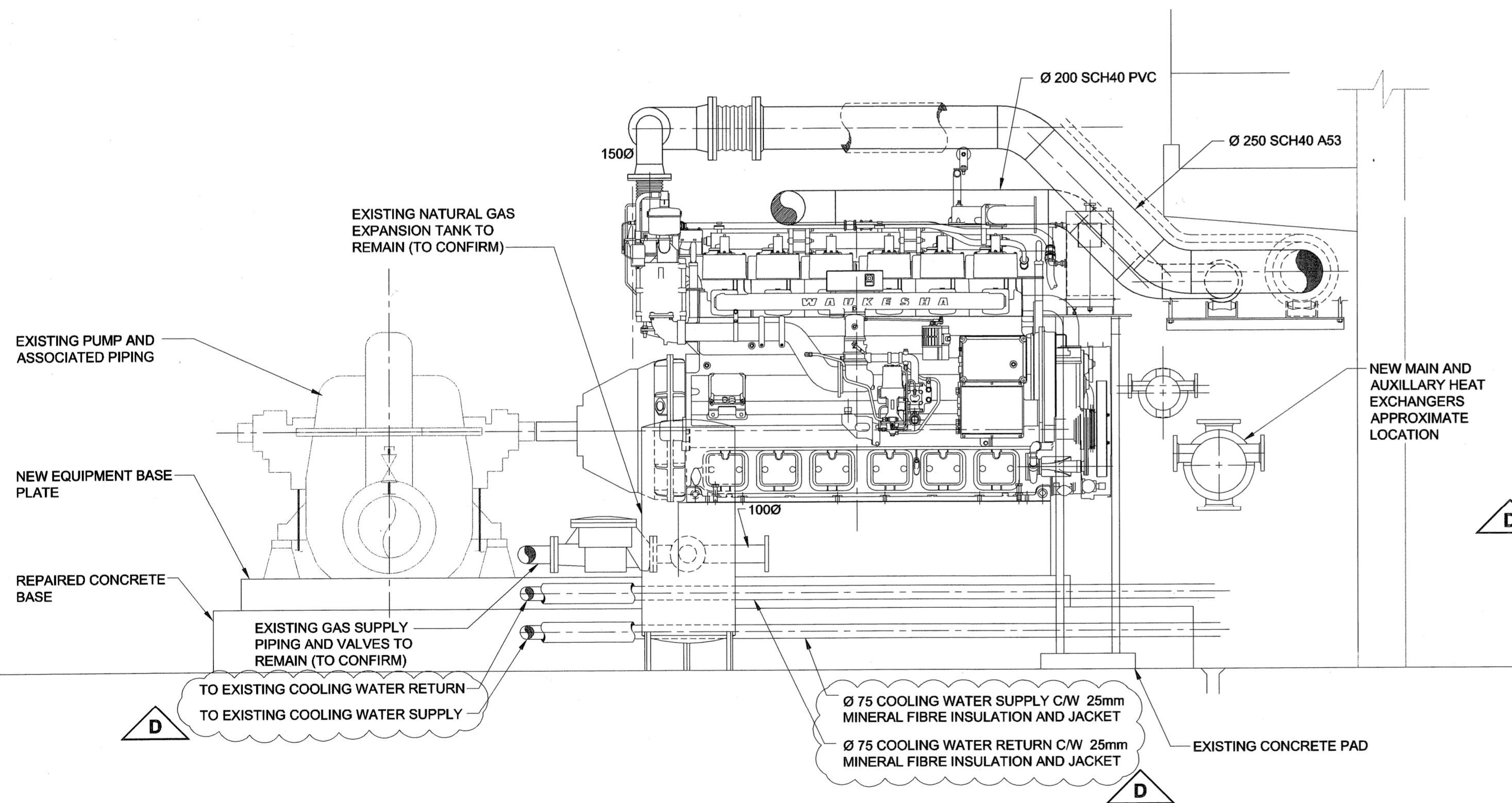
Mt. Reg. 53-88 (Workplace Health Hazard Regulation), Mt. Reg. 100-88R (Fibrosis and Silicosis Regulation) and associated Guidelines apply to all maintenance and renovation work that may disturb asbestos or suspect asbestos-containing materials in the Workplace. Such regulations and guidelines state that any disturbance of asbestos-containing materials may only be performed by workers or by an outside contractor who have first received the required training in asbestos-related procedures.

WORKING WITH ASBESTOS CAN BE DANGEROUS. INHALING ASBESTOS FIBERS CAN CAUSE VARIOUS TYPES OF LUNG DISEASE INCLUDING CANCER. SMOKING INCREASES THE RISK OF LUNG CANCER FROM ASBESTOS EXPOSURE.

ACKNOWLEDGMENT:

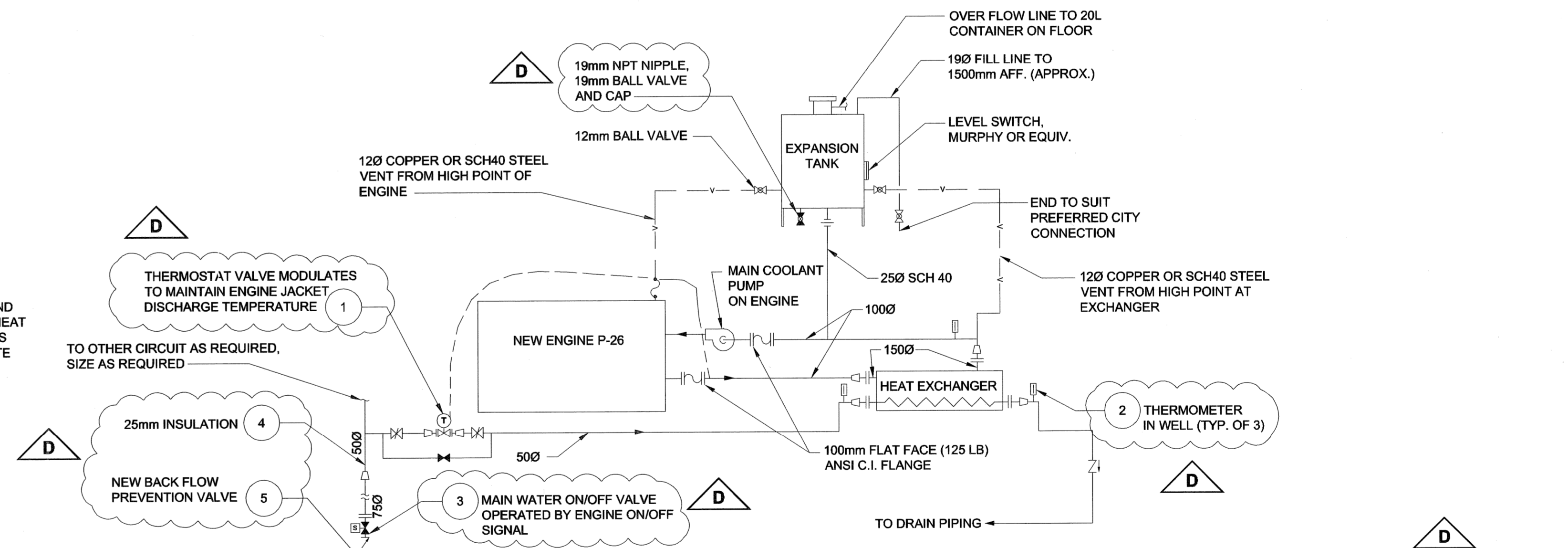
In undertaking the work of this project, we the trade or contractor agree to perform our work in such a manner so as NOT to disturb any asbestos-containing materials without:

- giving notice to the appropriate supervisor, individual manager and/or project coordinator at the Water And Waste Department that known or suspected asbestos-containing materials will be disturbed, or
- halting work and giving notice to the Contract Administrator when unforeseen suspected asbestos-containing materials are uncovered during the provisions of work/activities.



SECTION P-26 A
 0 250 500 750 mm SCALE 1:25

NOTE: FOR CLARITY SOME PIPE SUPPORTS ARE NOT SHOWN



SCHEMATIC
 MAIN WATER SUPPLY AND TYPICAL COOLING CIRCUIT BASED ON 50 USGPM FLOW. ADJUST PIPE AND COMPONENT SIZE TO SUIT EQUIPMENT PROVIDED. SUBMIT DRAWING FOR FINAL APPROVAL FOR ALL REQUIRED CIRCUITS

- SCHEMATIC NOTES**
- THERMOSTATIC VALVE WITH REMOTE CAPILLARY AND INTEGRAL TEMPERATURE INDICATOR. 208 LMIN. (55 USGPM) AT 345 KPA (50 PSIG) SUPPLY PRESSURE. 207 KPA (30 PSIG) DROP ACROSS VALVE. POWERS #11 - MODEL #895-STXXX-C08D104 - OR APPROVED EQUIVALENT. ADJUST SIZE TO SUIT HEAT EXCHANGER FLOW RATE REQUIREMENTS.
 - WINTERS 228 (9") VALOX CASE 0-115C (32-239F) # 9IT SERIES IN WINTERS 9IT SS THERMOWELL, OR APPROVED EQUIVALENTS
 - FULL PORT NORMALLY CLOSED SOLENOID VALVE. MINIMUM SIZE 75MM (3"). MAGNATROL GR OR APPROVED EQUIVALENT.
 - APPLY 25MM (1") MINERAL FIBRE INSULATION AND JACKET ON ALL ENGINE COOLING WATER SUPPLY, DRAINAGE AND ENGINE COOLING SYSTEM PIPING AND FITTINGS. - REFER TO SPECIFICATIONS.
 - BACKFLOW PREVENTER - WATTS 909RPZ - SIZE 75MM (3") WITH SHUTOFF VALVES.

UMA REVIEW DRPT CHK

PEGM
 Certificate of Authorization
 UMA Engineering Ltd. (MB)
 No. 256 Date: Dec 18-08

DRN	CHK	DES	ENG	IDR
UMA REVIEW				

NO.	REVISIONS	DATE	BY
D	ISSUED FOR ADDENDUM	08/12/18	RS
C	ISSUED FOR ADDENDUM	08/12/10	RS
B	ISSUED FOR BID	08/11/21	RS
A	ISSUED FOR REVIEW	08/10/28	RS
NO.	REVISIONS	YYMMDD	BY

DESIGNED BY	CC	CHECKED BY	
DRAWN BY	RS	APPROVED BY	
HOR. SCALE	AS NOTED	RELEASED FOR CONSTRUCTION	
VERT. SCALE	AS NOTED		
DATE		DATE	

PROFESSIONAL'S SEAL
 PROVINCE OF MANITOBA
 Dec 18 2018
 C.A.D. COURCHAJNE
 REGISTERED PROFESSIONAL ENGINEER
 CONSULTANT DRAWING NO.
 D265-199-00_05-M-0004_RX.dwg

THE CITY OF WINNIPEG WATER AND WASTE DEPARTMENT

G. C. MACLEAN PUMPING STATION P-26 ENGINE REPLACEMENT MECHANICAL - NEW CONSTRUCTION PUMP/ENGINE - PLAN AND SECTION

SHEET 1 OF 1
 CITY DRAWING NUMBER
 1-0630M-M0004-001
 REV D