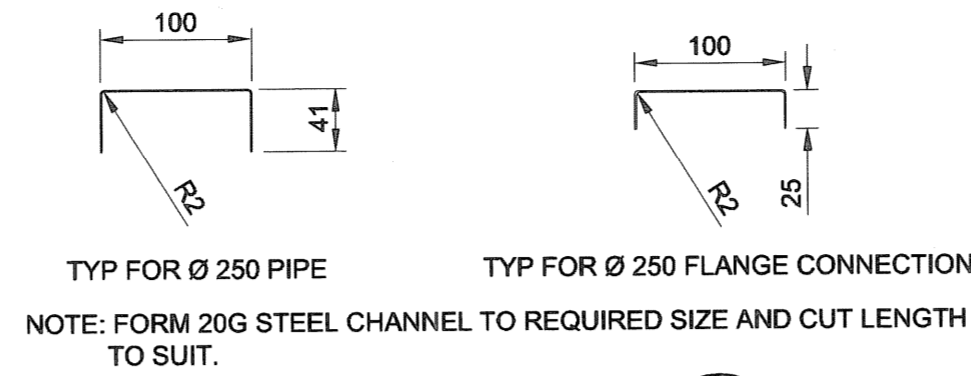


AIR GAP DETAILS 1

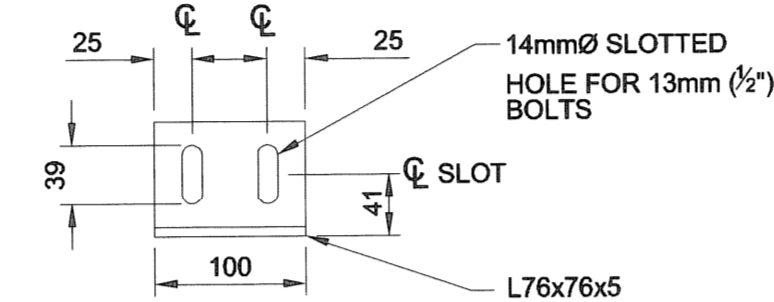
SCALE 1:10

AIR GAP CHART (O.D.)			
PIPE NOMINAL Ø	FLANGE SIZE O.D.	PIPE AIR GAP	FLANGE AIR GAP
250mm	400mm	325mm	460mm



CHANNEL DETAIL 2

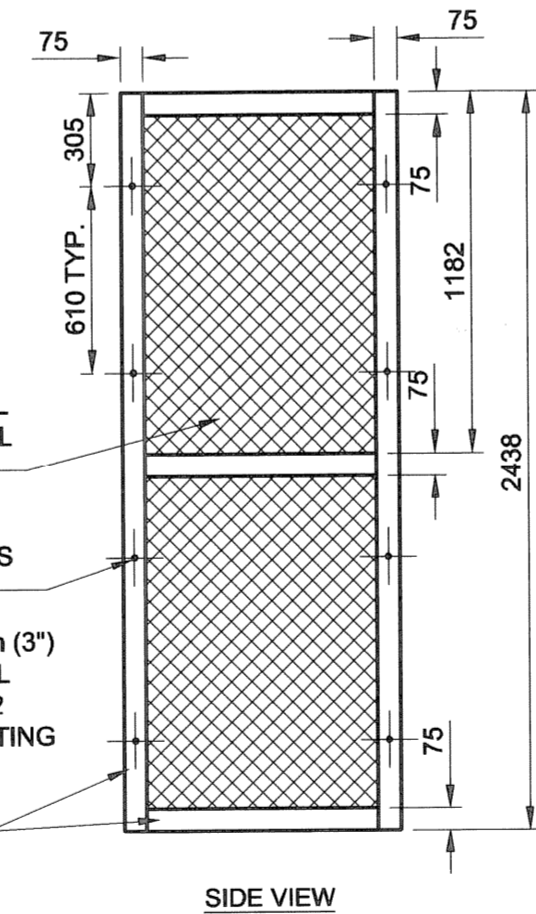
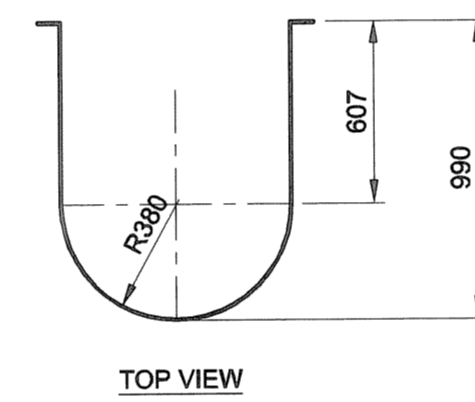
SCALE 1:5



DETAIL 3

SCALE 1:5

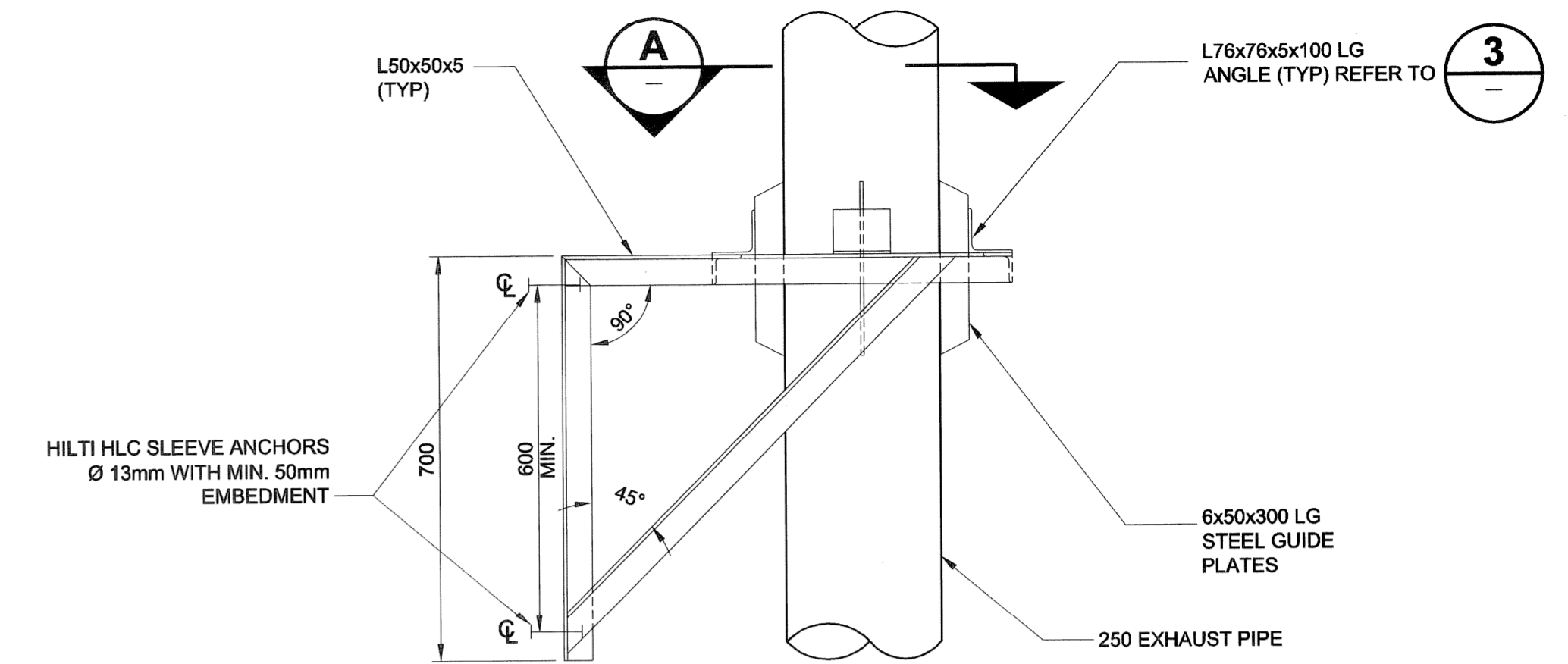
STACK GUIDE ANGLE



DETAIL 5

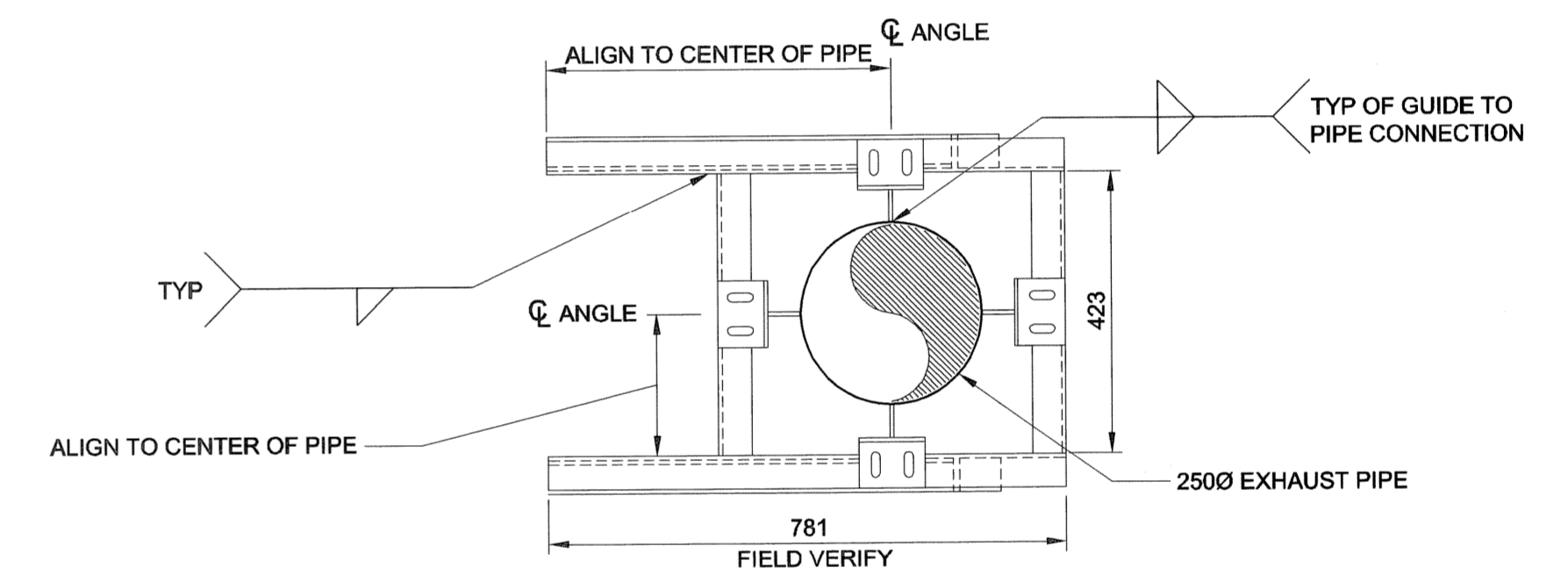
SCALE 1:25

NEW GUARD



GUIDE FRAME DETAIL 4

SCALE 1:10



SECTION A

SCALE 1:10

NO.	REVISIONS	YYMMDD	BY
C	ISSUED FOR ADDENDUM	08/12/10	RS
B	ISSUED FOR BID	08/11/21	RS
A	ISSUED FOR REVIEW	08/10/28	RS

DESIGNED BY	CC	CHECKED BY	
DRAWN BY	RS	APPROVED BY	
HOR. SCALE	AS NOTED	RELEASED FOR CONSTRUCTION	
VERT. SCALE	AS NOTED		
DATE		DATE	

PROFESSIONAL'S SEAL
 PROVINCE OF MANITOBA
 Dec 10-08
 C.A.D. COURCHAINE
 REGISTERED PROFESSIONAL ENGINEER
 CONSULTANT DRAWING NO. D265-199-00_05-M-0007_RX.dwg

THE CITY OF WINNIPEG WATER AND WASTE DEPARTMENT
 G. C. MACLEAN PUMPING STATION
 P-26 ENGINE REPLACEMENT
 MECHANICAL
 PIPE INSULATION AND GUIDE BRACKETS
 DETAILS AND SECTION

SHEET 1 OF 1
 CITY DRAWING NUMBER 1-0630M-M0007-001
 REV C

APEGN
 Certificate of Authorization
 UMA Engineering Ltd. (MB)
 No. 256 Date: Dec 10-08

DRN	CHK	DES	ENG	IDR

UMA REVIEW

© 2008 UMA Engineering Ltd. All Rights Reserved. This document is protected by copyright law and may not be used, reproduced or modified in any manner or for any purpose except with the written permission of UMA Engineering Ltd. or a party to which its copyright has been assigned. UMA accepts no responsibility, and denies any liability whatsoever, to any party that uses, reproduces, modifies, or relies on this document without UMA's express written consent.