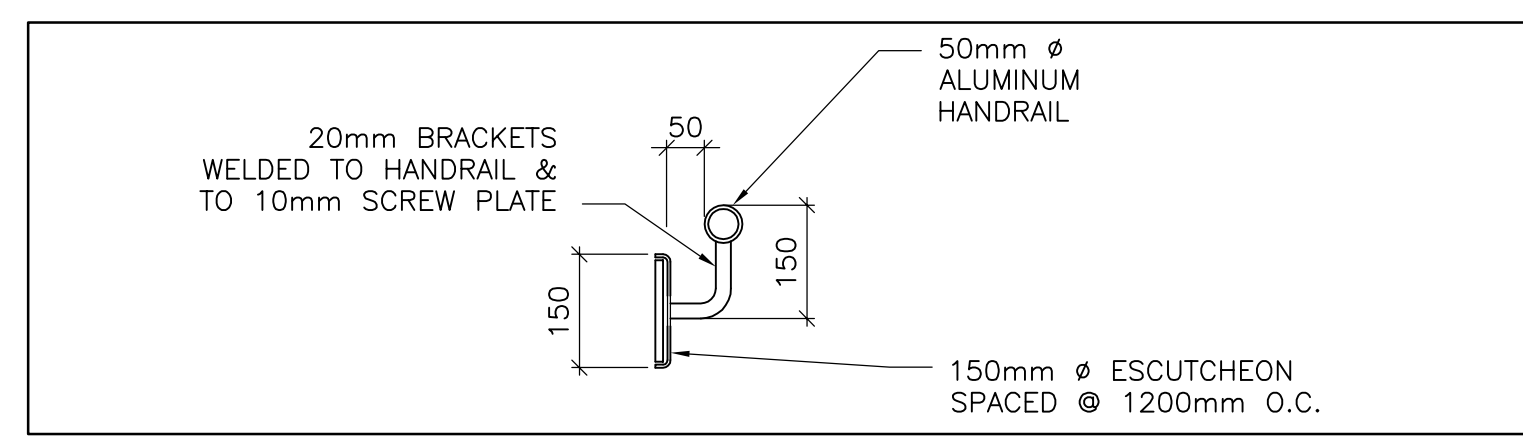
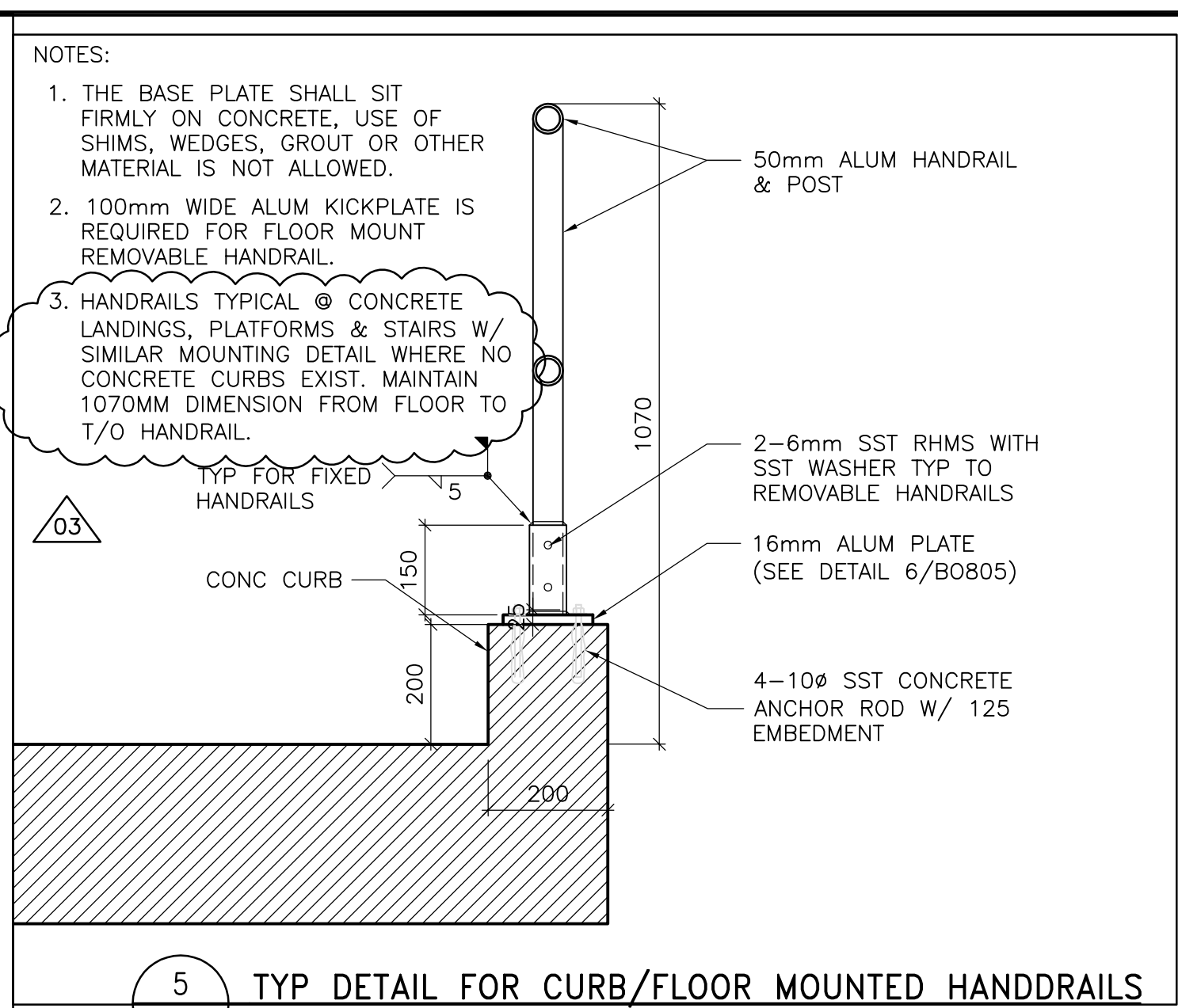


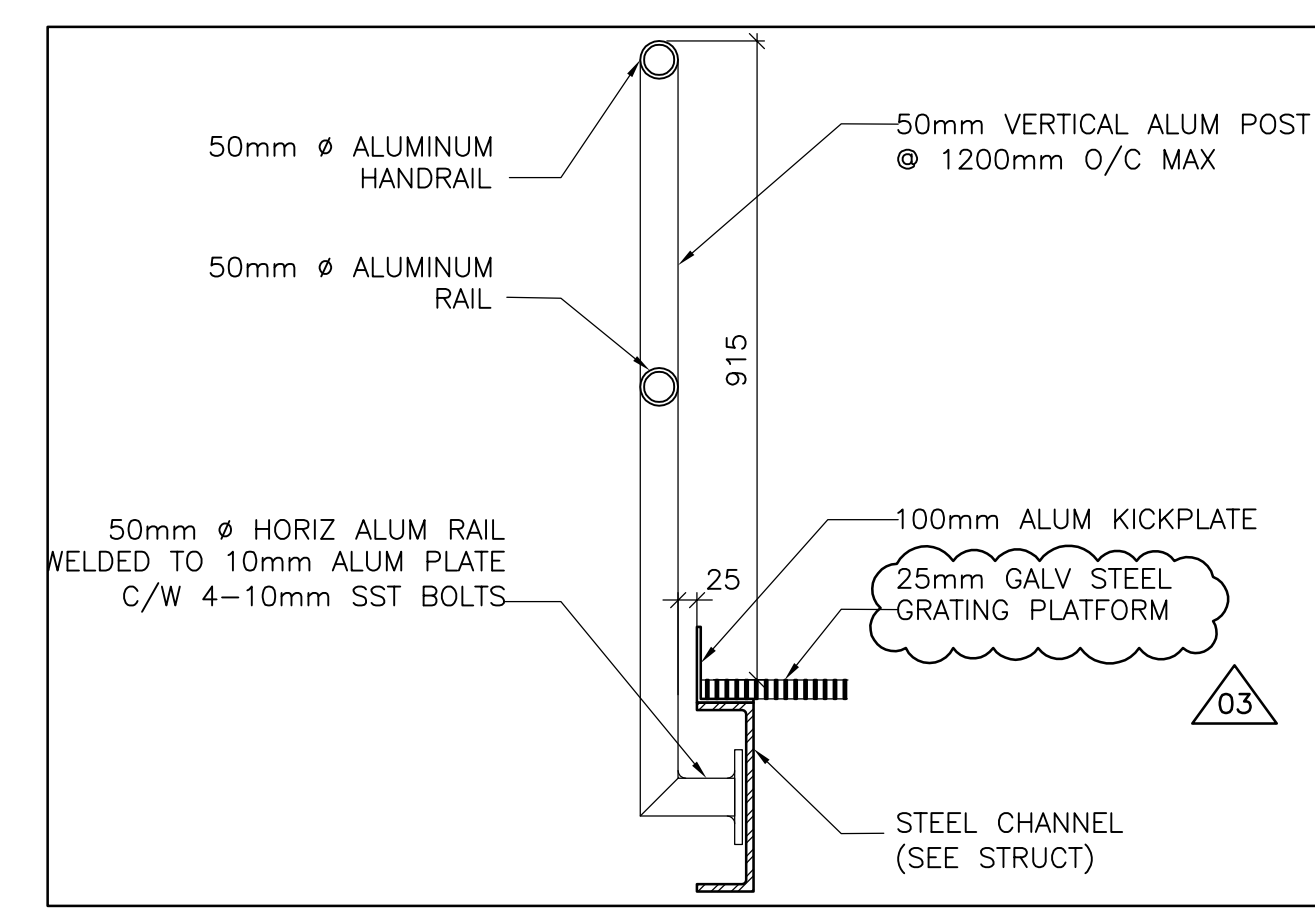
9 STAIRWELL NO.9 SECTION DETAIL
WB-B0103 1:50



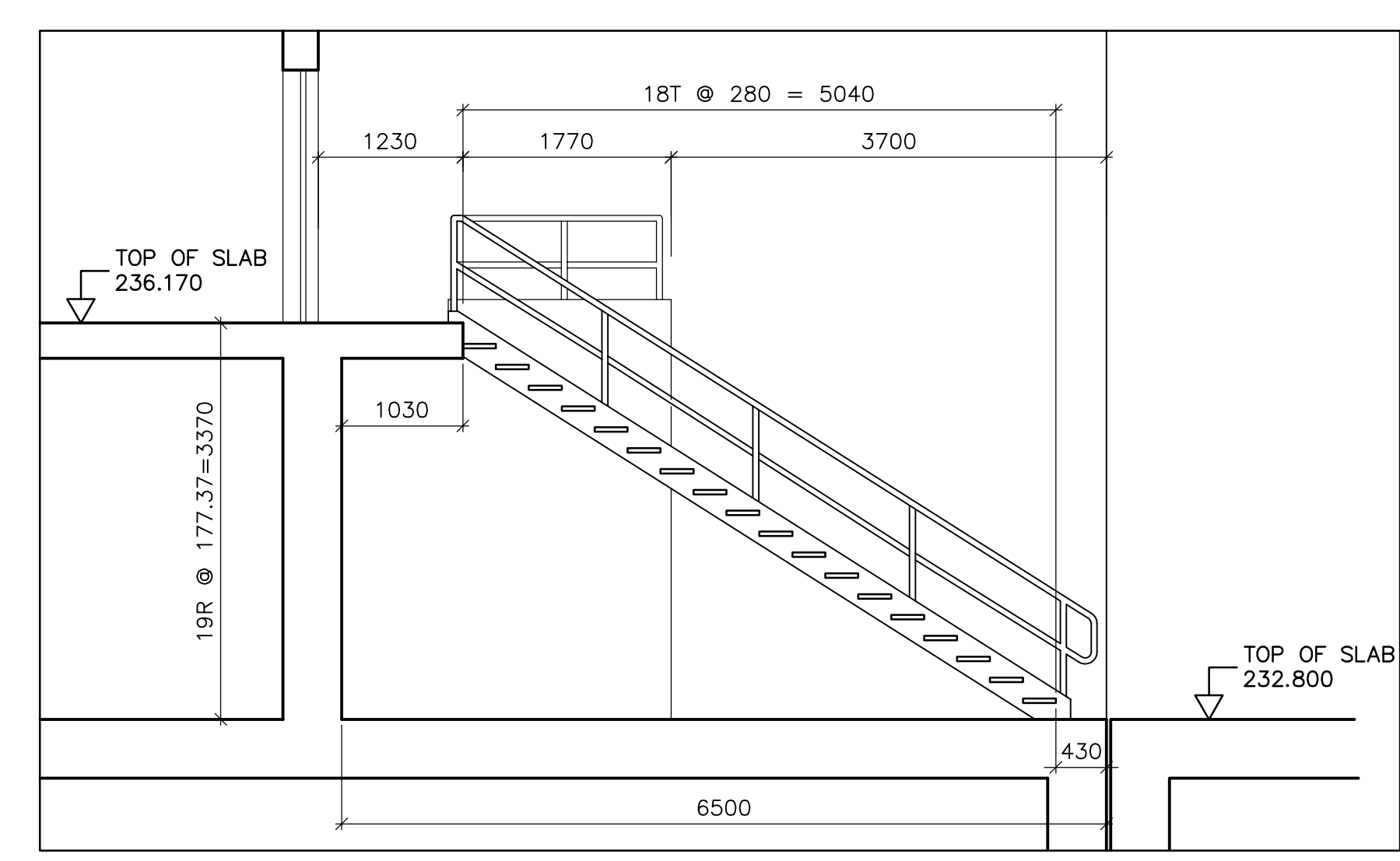
2 TYP WALL MOUNT HANDRAIL DETAIL
WB-B0806 1:10



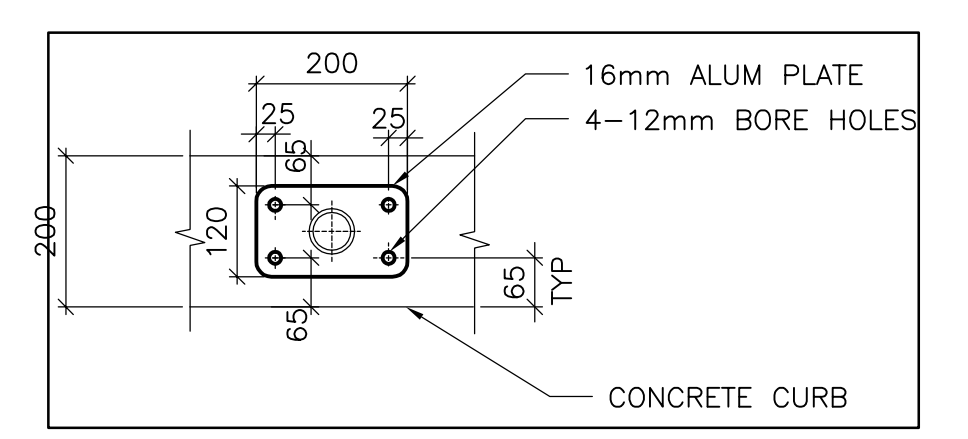
5 TYP DETAIL FOR CURB/FLOOR MOUNTED HANDRAILS
WB-B0119 1:10



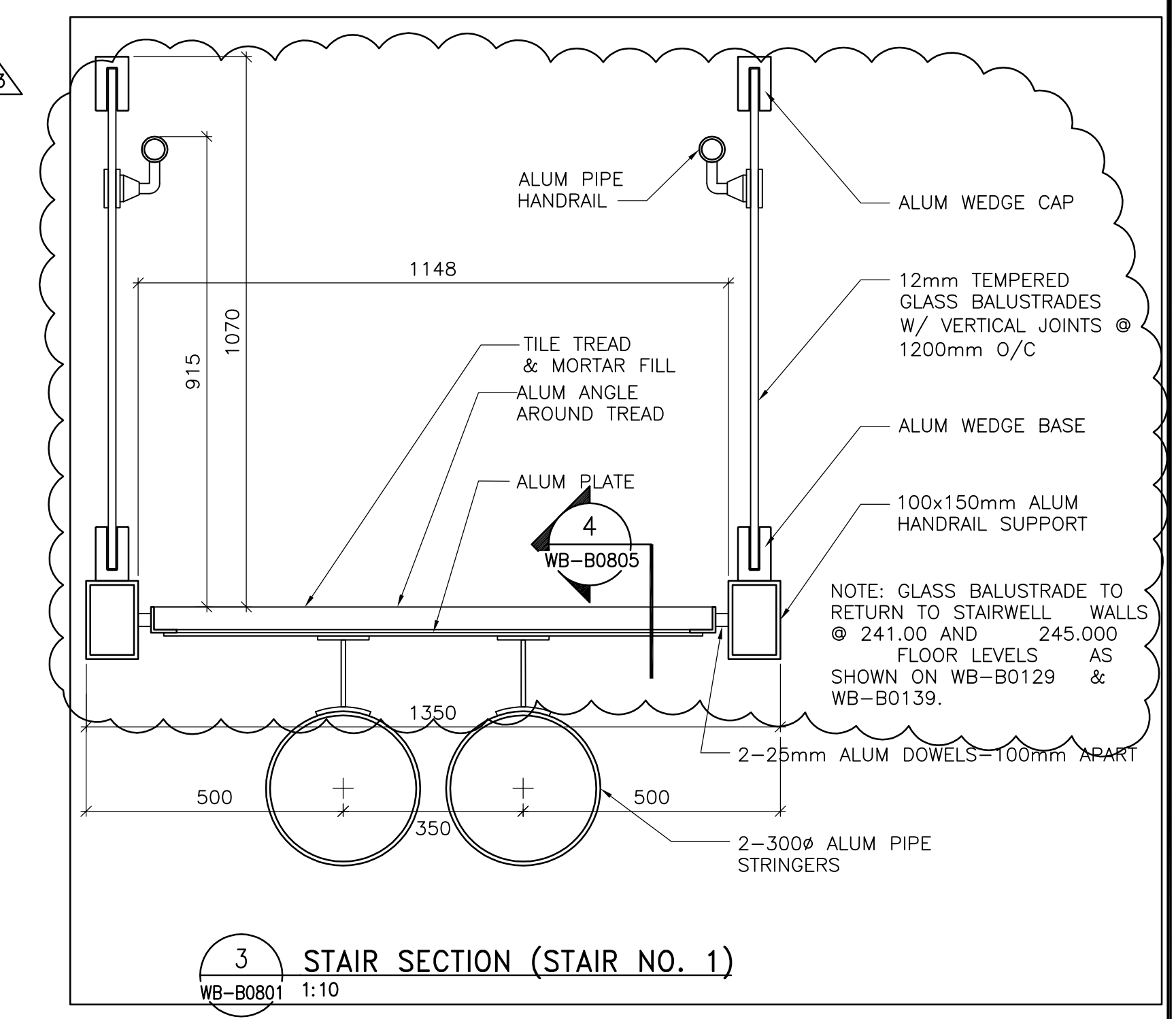
1 TYP HANDRAIL CONNECTION @ PLATFORMS
WB-B0119 1:10



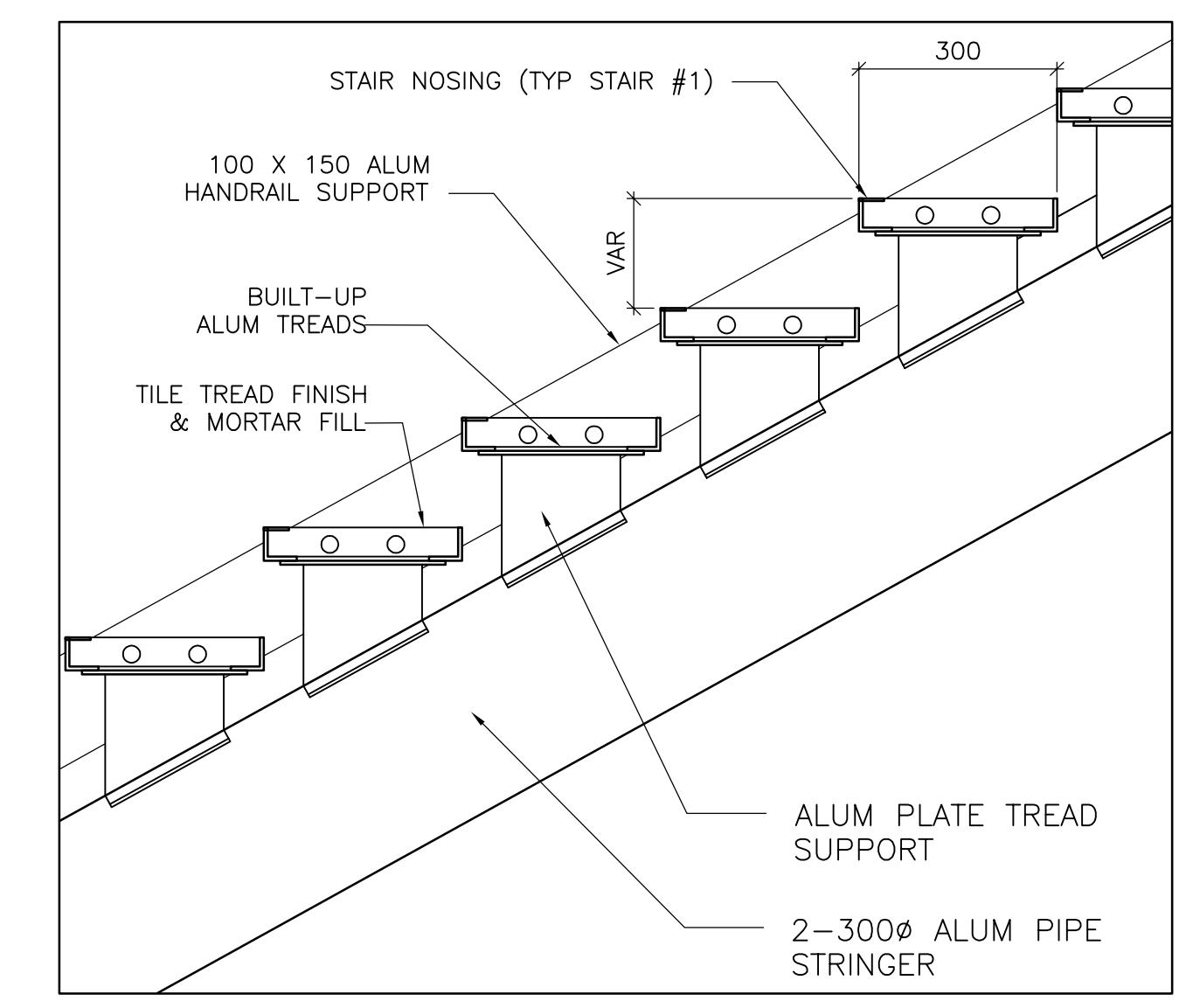
10 STAIR NO.10 SECTION DETAIL
WB-B0103 1:50



6 BASE PLATE DETAIL FOR HANDRAIL POST
1:10



3 STAIR SECTION (STAIR NO. 1)
WB-B0801 1:10



4 STAIR SECTION (STAIR NO. 1)
WB-B0801 1:10



B.M. ELEV.					
DESIGNED BY	NC	CHECKED BY	LK		
DRAWN BY	AL	APPROVED BY	AHL		
SCALE:	1:50	RELEASED FOR CONSTRUCTION BY:	R. SOROKOWSKI		
ISSUED FOR TENDER	07/06/05	LK			
NO. REVISIONS	DATE	BY	DATE	2005/08/03	DATE
					2007/06/05

CH2MHILL
Frederickson Cooper ARCHITECTS

EarthTech
A Fox International Ltd. Company

ENGINEER'S SEAL
ORIGINAL SIGNED BY
NEIL COOPER
2007/06/05

THE CITY OF WINNIPEG
WATER AND WASTE DEPARTMENT
ENGINEERING DIVISION

WATER TREATMENT PLANT
MAIN BUILDING
OFFICE AND PLANT INTERIOR FINISHES

ARCHITECTURAL
STAIR SECTION AND DETAILS

CITY FILE NUMBER
SHEET OF
CITY DRAWING NUMBER
1-0601B-A-B0805-001-03D