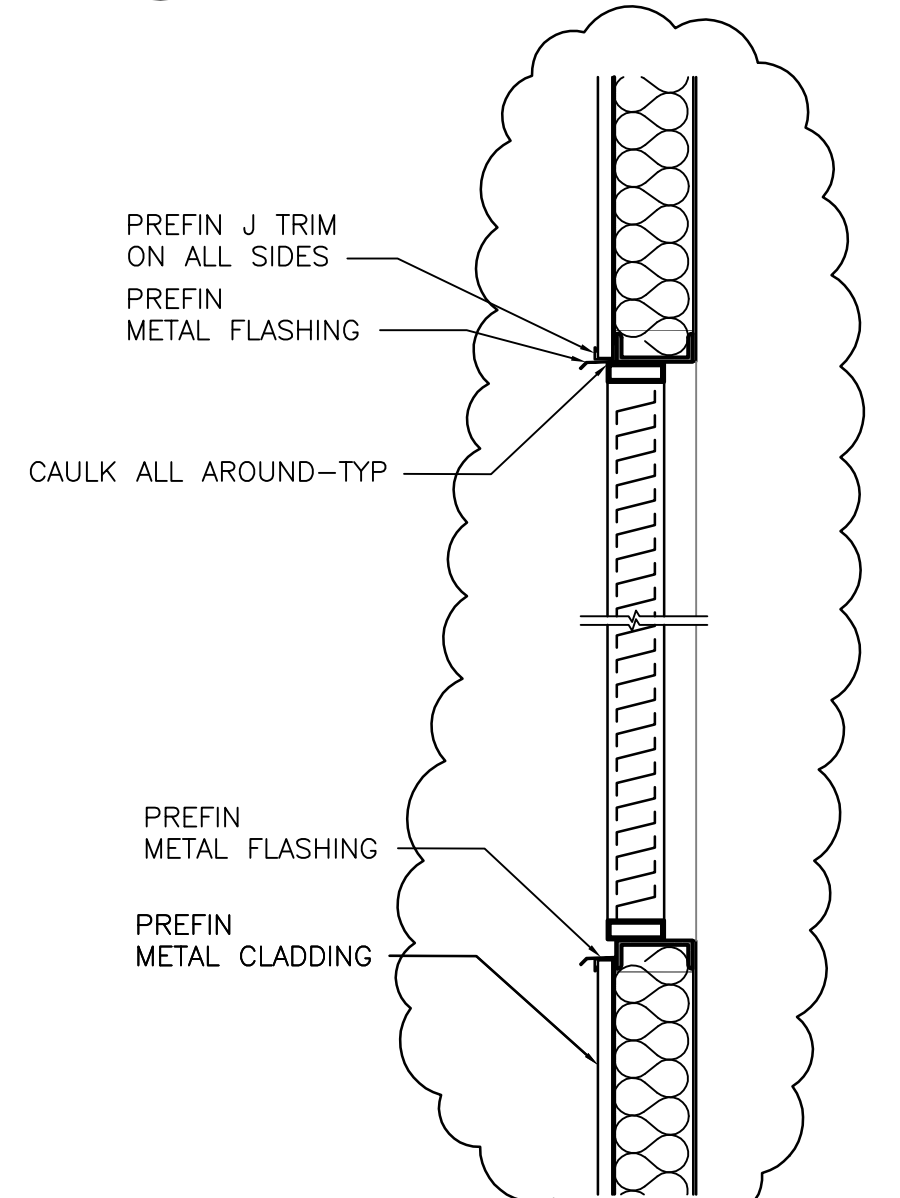
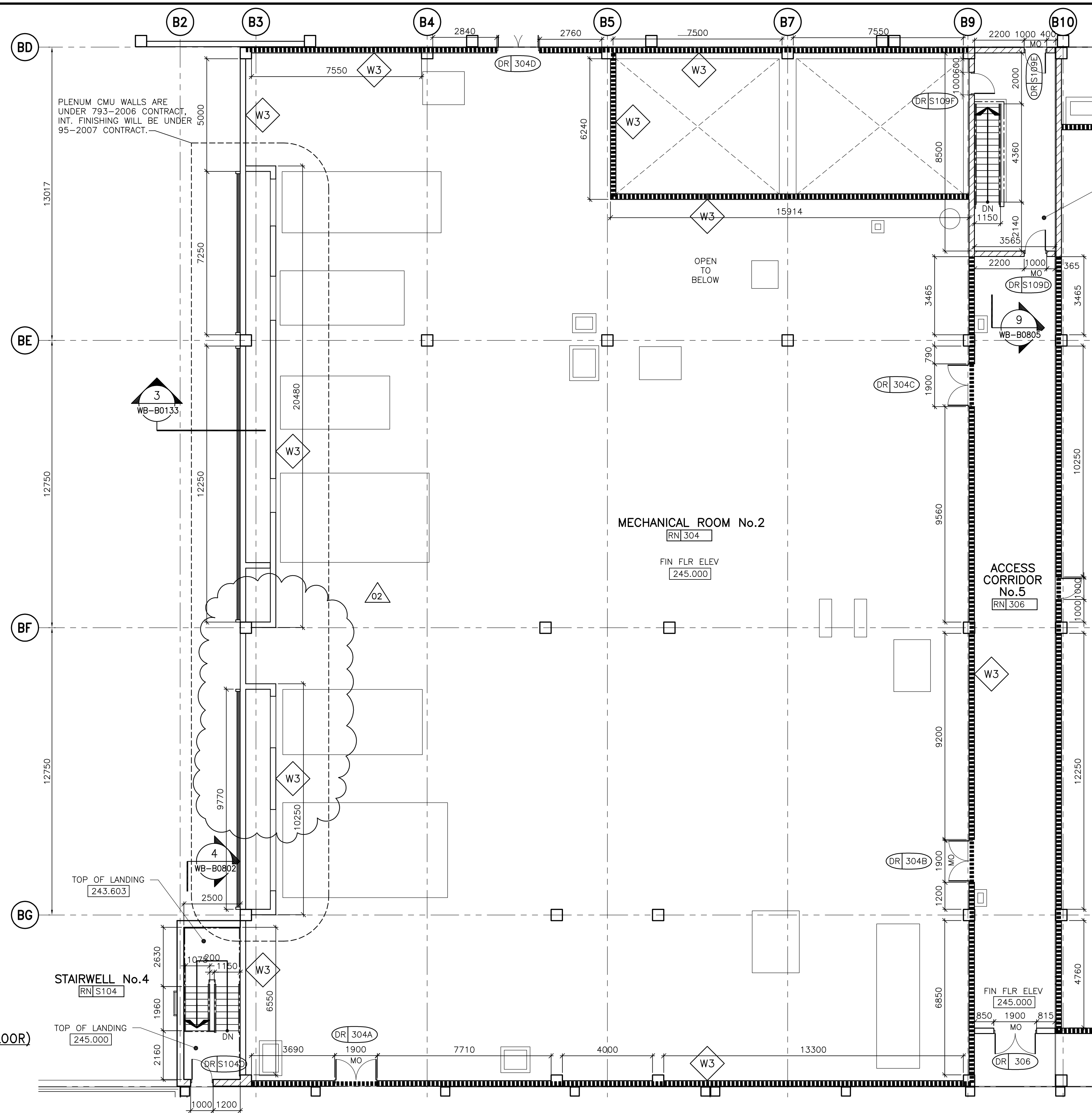


3 MECH LOUVER DETAIL @ CONC STRUCTURE
WB-B0133 1:20



2 MECH LOUVER DETAIL @ METAL STRUCTURE
WB-B0133 1:20

1 PARTIAL PLAN - MECHANICAL ROOM (THIRD FLOOR)
WB-B0133 1:100



STAIRWELL No.9
RN S109
TOP OF LANDING
245.000

ACCESS CORRIDOR No.5
RN S106

MECHANICAL ROOM No.2
RN S104
FIN FLR ELEV
245.000

STAIRWELL No.4
RN S104
TOP OF LANDING
245.000

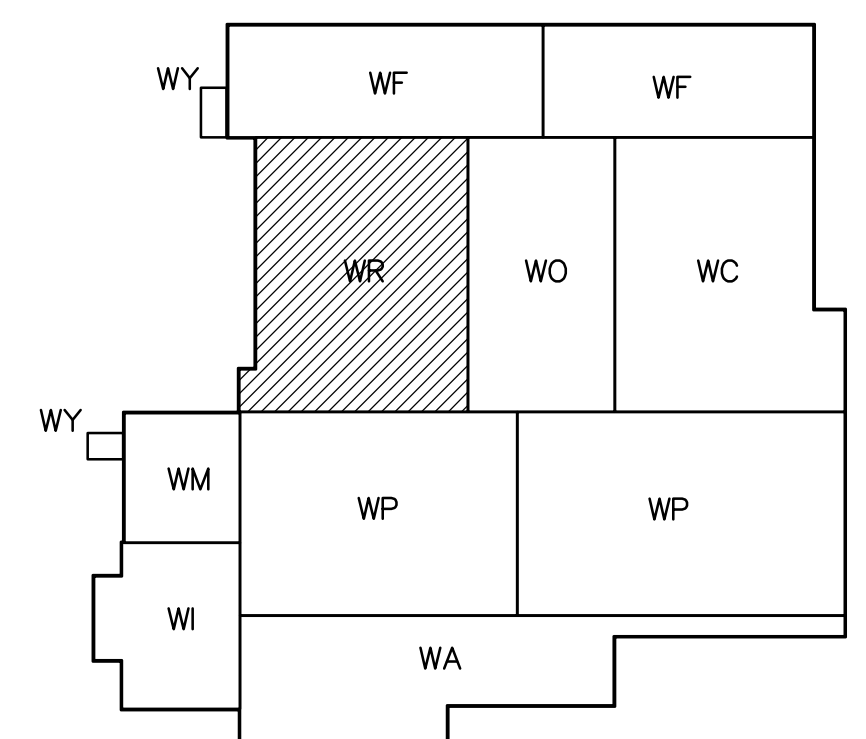
WALL TYPES:

W3 CMU 240mm

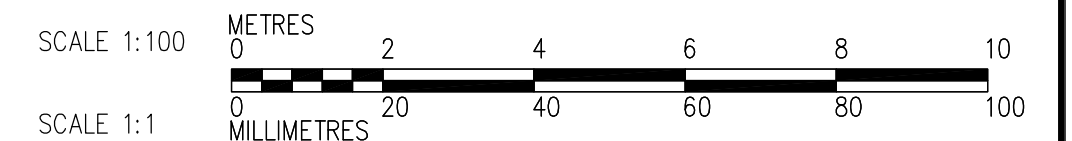
FIRE RATINGS:

2 HR FIRE RATING

1 HR FIRE RATING



KEY PLAN



NO.	REVISIONS	DATE	BY
02	95-2007 ADDENDUM 05	07/07/13	LK
01	95-2007 ADDENDUM 01	07/06/12	LK
00	ISSUED FOR TENDER	07/06/05	LK

DESIGNED BY	TWS	CHECKED BY	BJS
DRAWN BY	AL/LK	APPROVED BY	AHL
SCALE:	1:100	RELEASED FOR CONSTRUCTION BY:	R. SOROKOWSKI
DATE	2005/08/03	DATE	2007/06/05

ENGINEER'S SEAL
ORIGINAL SIGNED BY
NEIL COOPER
2007/06/05
CONSULTANT DRAWING NO.
WB-B0133

THE CITY OF WINNIPEG
WATER AND WASTE DEPARTMENT
ENGINEERING DIVISION

WATER TREATMENT PLANT
MAIN BUILDING
OFFICE AND PLANT INTERIOR FINISHES

ARCHITECTURAL
PARTIAL PLAN OF
MECHANICAL ROOM

CITY FILE NUMBER
SHEET OF
CITY DRAWING NUMBER
1-0601B-A-B0133-001-02D