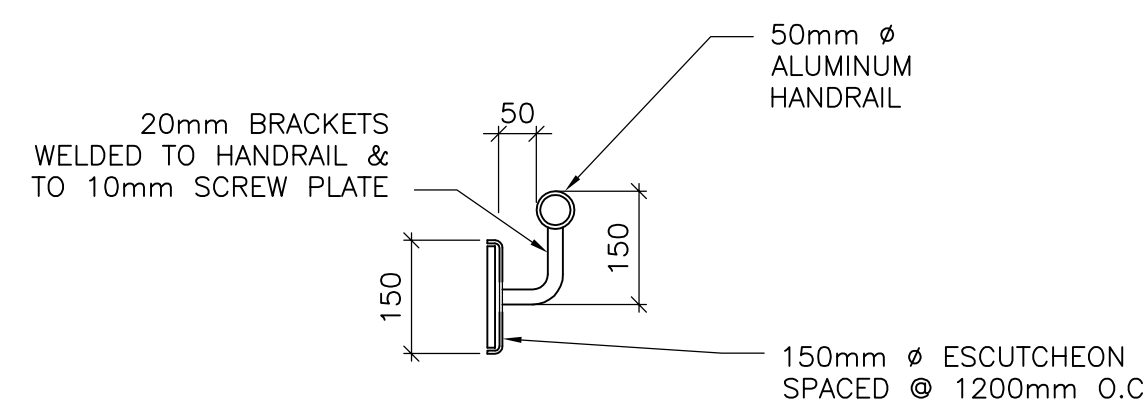
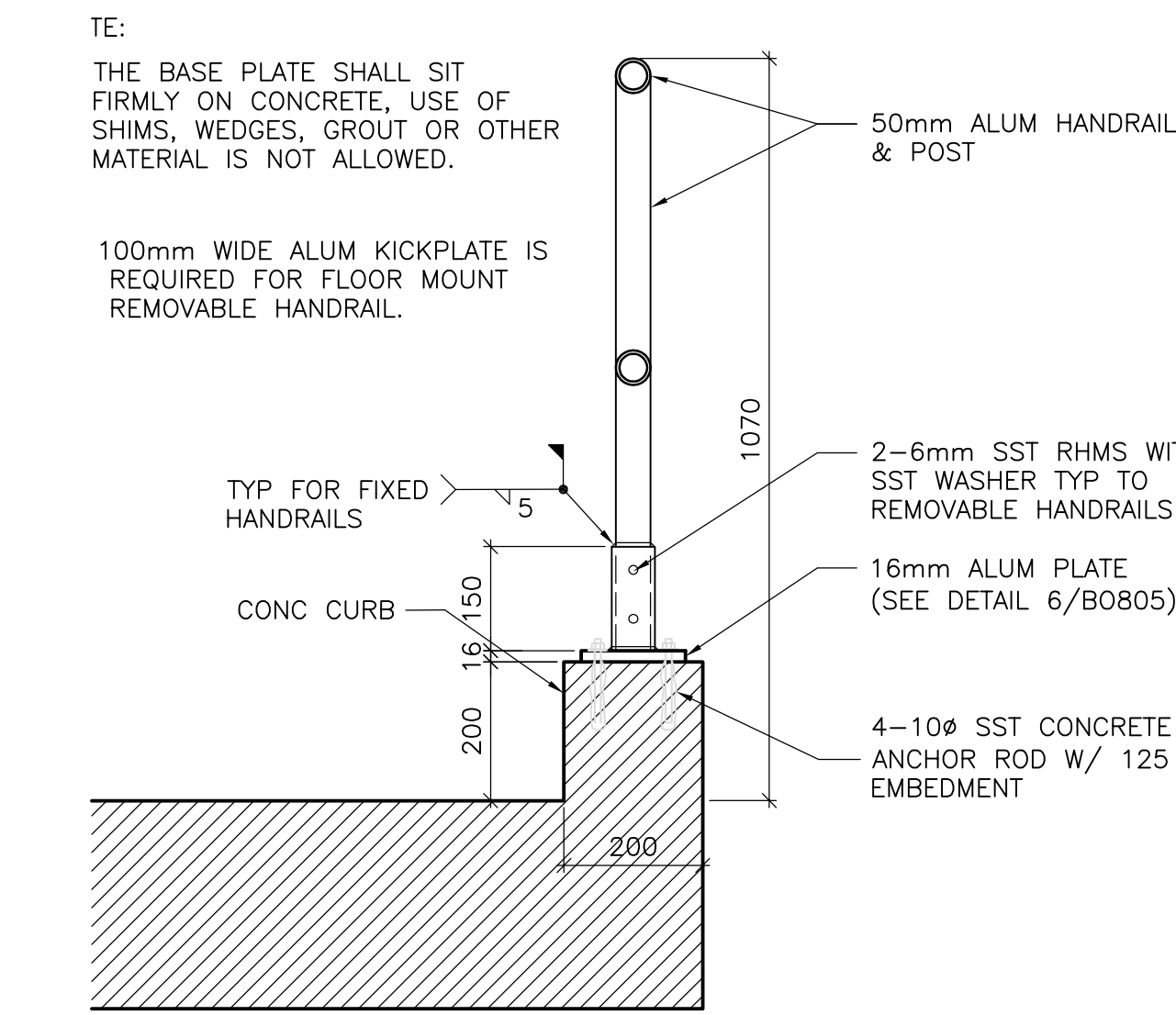


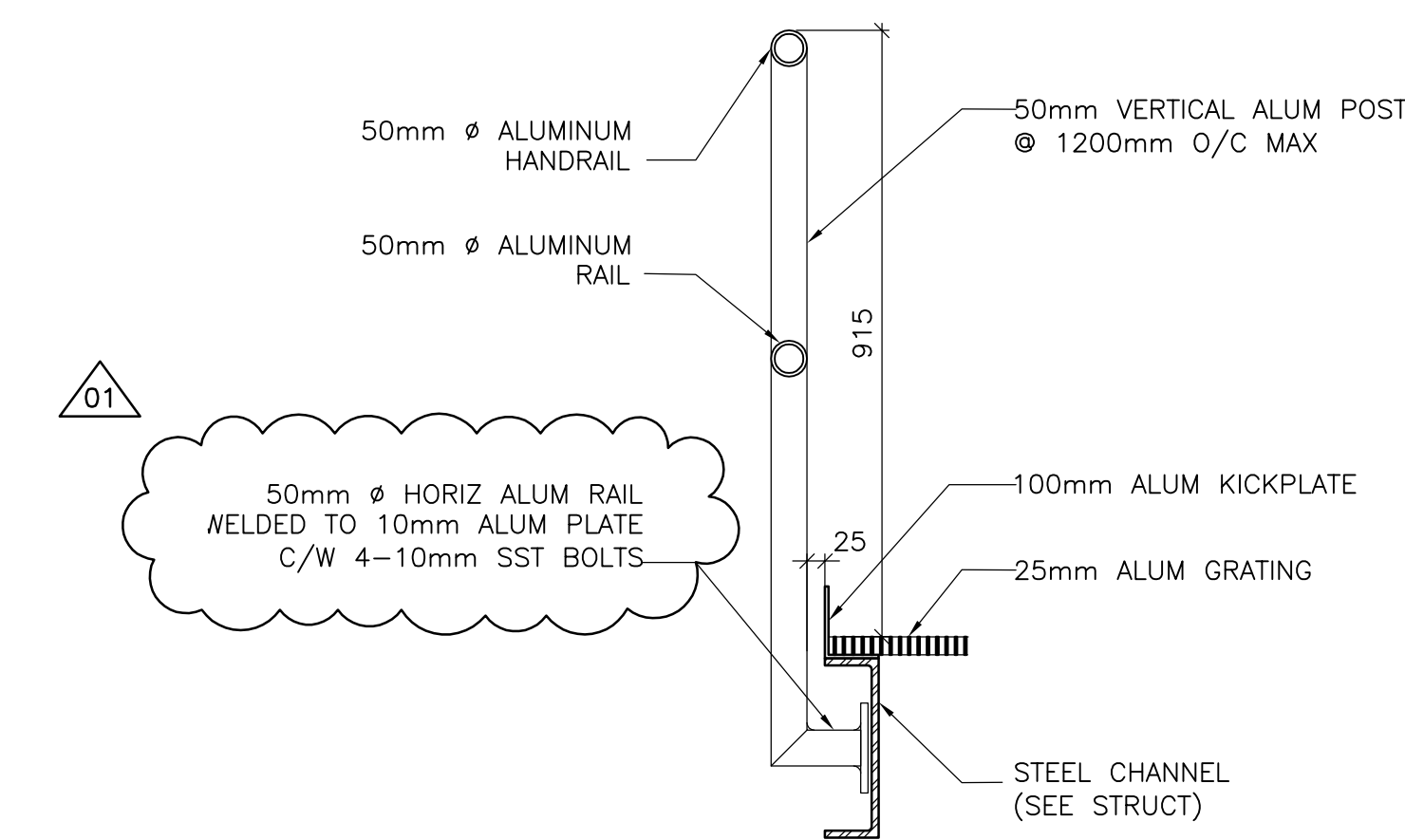
9 STAIRWELL NO.9 SECTION DETAIL
WB-B0103 1:50



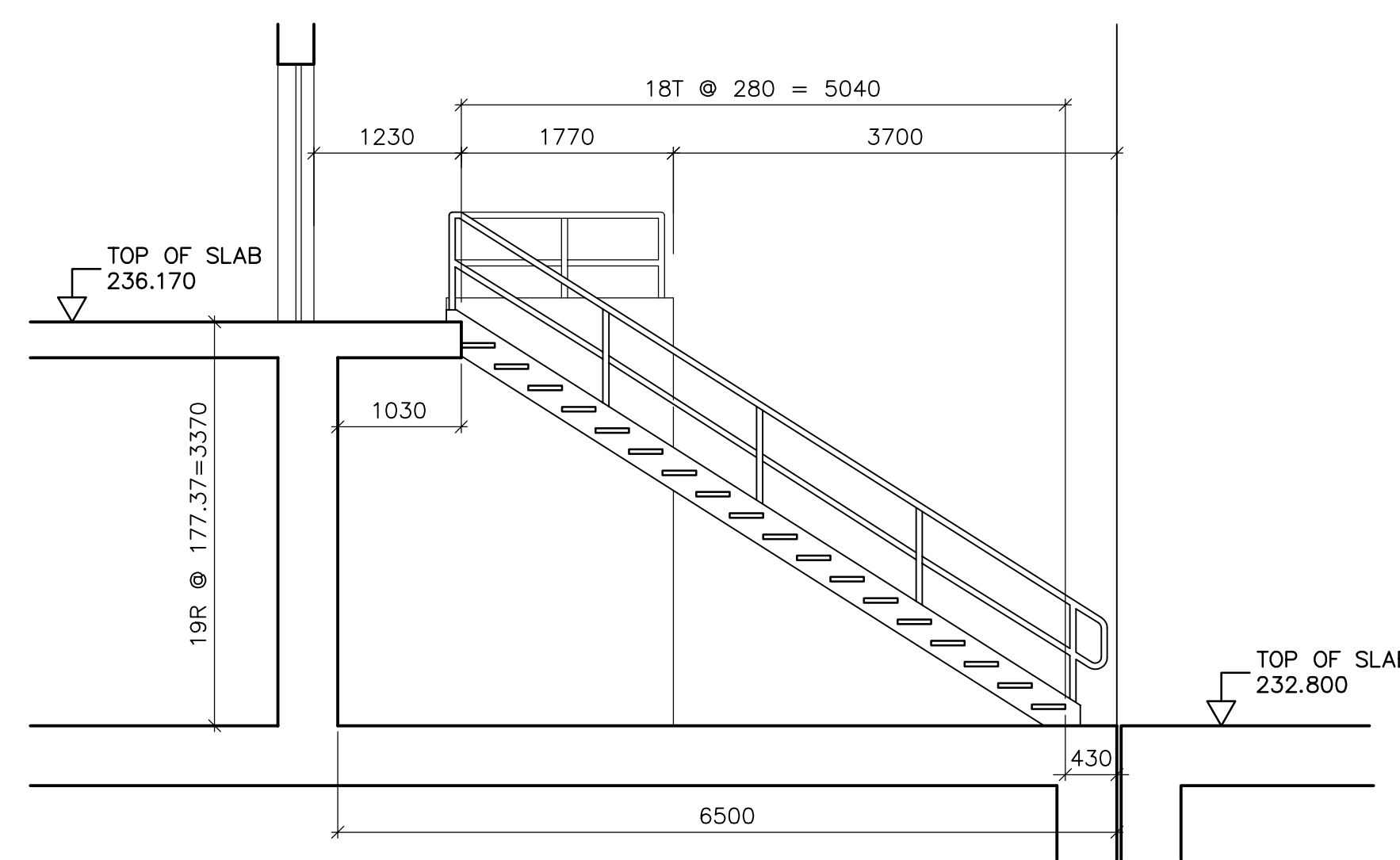
2 TYP WALL MOUNT HANDRAIL DETAIL
WB-B0806 1:10



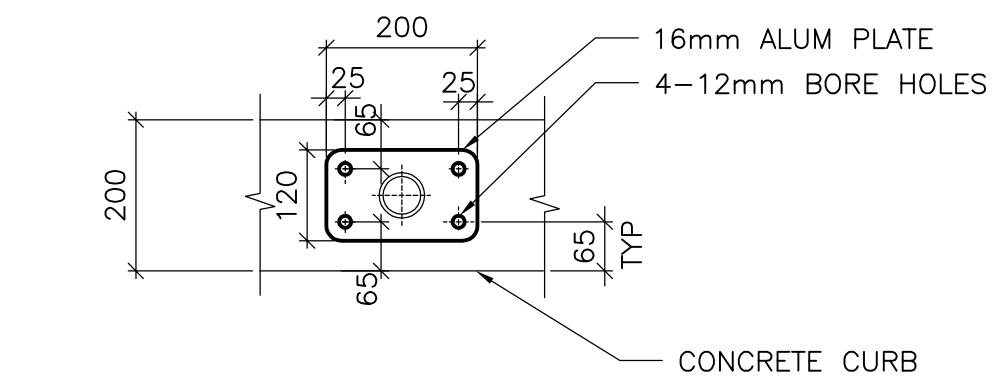
5 TYP DETAIL FOR CURB/FLOOR MOUNTED HANDRAILS
WB-B0119 1:10



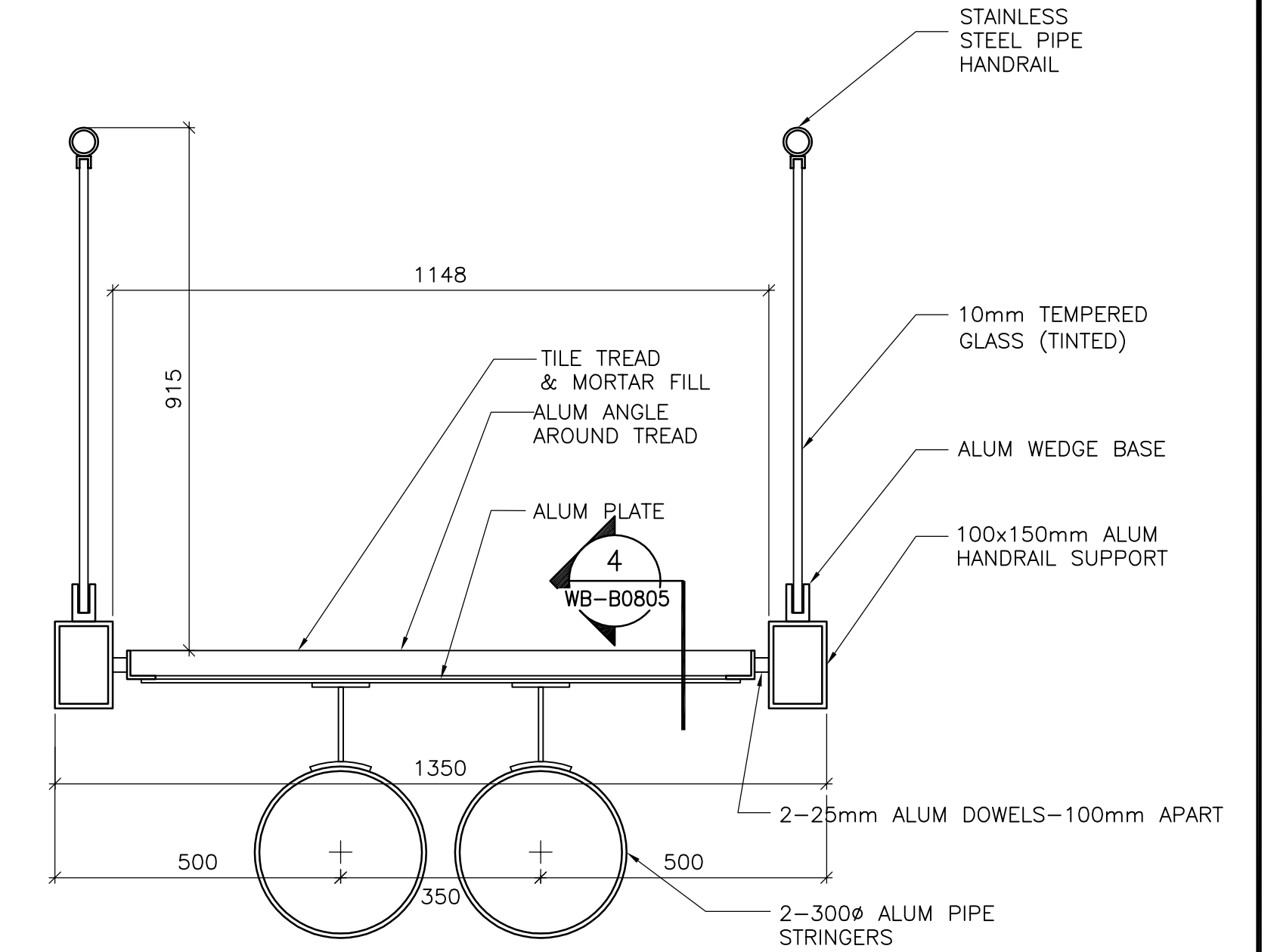
1 TYP HANDRAIL CONNECTION @ PLATFORMS
WB-B0119 1:10



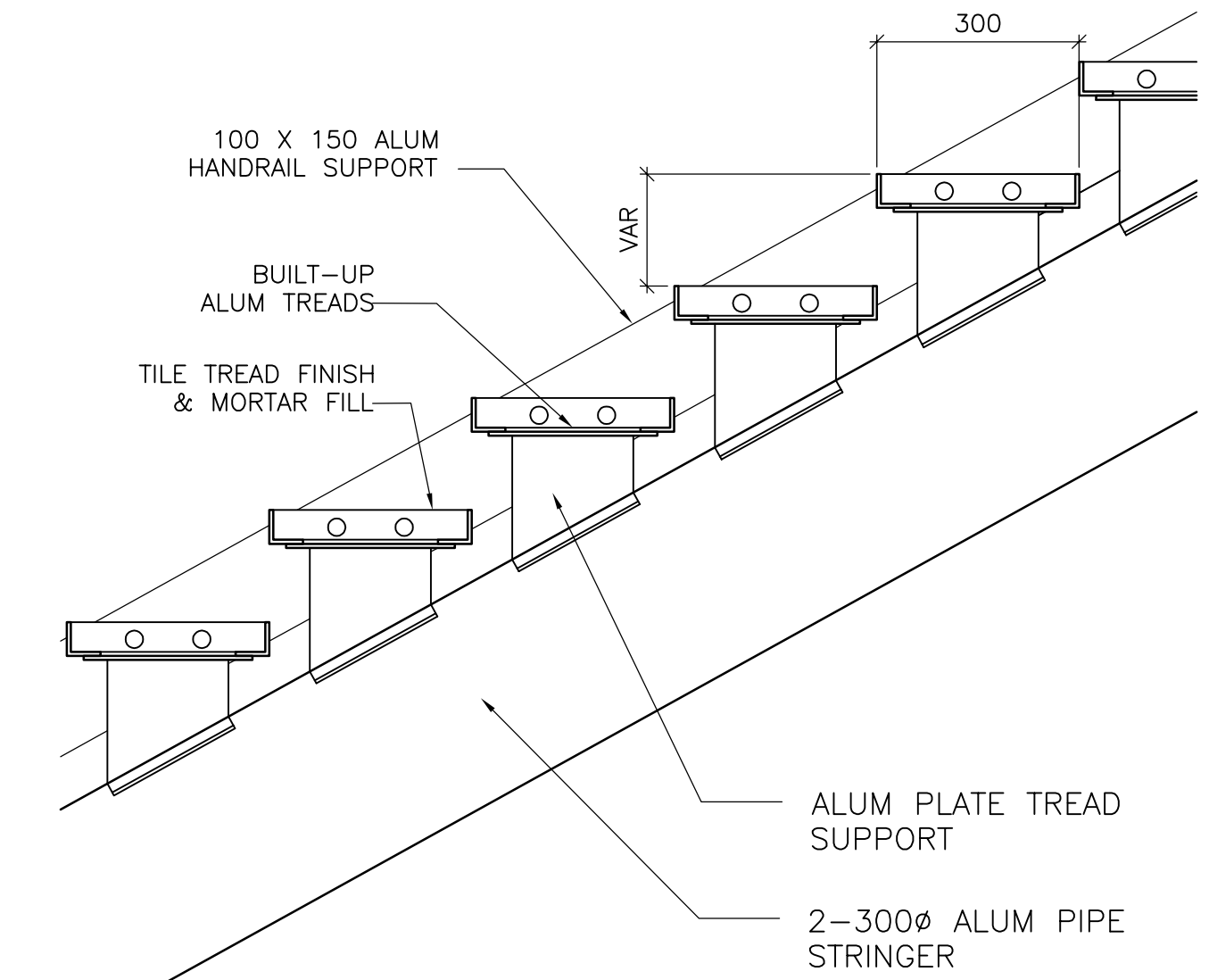
10 STAIR NO.10 SECTION DETAIL
WB-B0103 1:50



6 BASE PLATE DETAIL FOR HANDRAIL POST
1:10



3 STAIR SECTION (STAIR NO. 1)
WB-B0801 1:10



4 STAIR SECTION (STAIR NO. 1)
WB-B0801 1:10



B.M. ELEV.			
DESIGNED BY	NC	CHECKED BY	LK
DRAWN BY	AL	APPROVED BY	AHL
SCALE:	1:50	RELEASED FOR CONSTRUCTION BY:	R. SOROKOWSKI
NO.	REVISIONS	DATE	DATE
01	95-2007 ADDENDUM 02	07/06/20	LK
00	ISSUED FOR TENDER	07/06/05	LK
		2005/08/03	

CH2MHILL	EarthTech
Frederickson Cooper ARCHITECTS	A Post International Ltd. Company
ENGINEER'S SEAL	ORIGINAL SIGNED BY
DESIGNED BY NC	NEIL COOPER
DRAWN BY AL	2007/06/05
SCALE: 1:50	CONSULTANT DRAWING NO. WB-B0805
RELEASED FOR CONSTRUCTION BY: R. SOROKOWSKI	
DATE: 2005/08/03	DATE: 2007/06/05

THE CITY OF WINNIPEG	
WATER AND WASTE DEPARTMENT	
ENGINEERING DIVISION	
WATER TREATMENT PLANT	CITY FILE NUMBER
MAIN BUILDING	SHEET OF
OFFICE AND PLANT INTERIOR FINISHES	CITY DRAWING NUMBER
ARCHITECTURAL	1-0601B-A-B0805-001-01D
STAIR SECTION AND DETAILS	