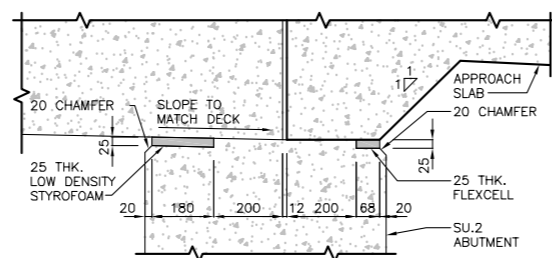
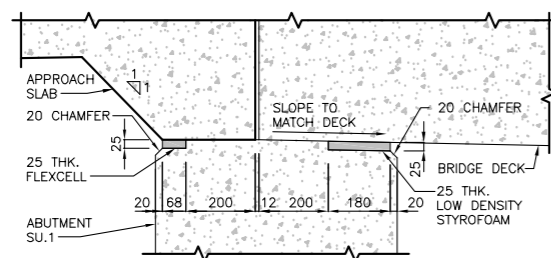
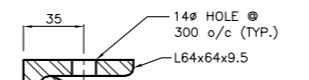
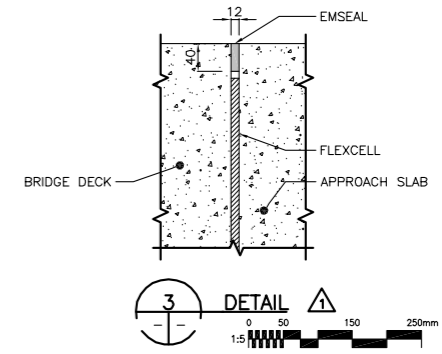
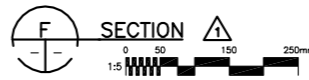


NOTE:  
BACKER ROD & FLEXIBLE JOINT SEALANT TO SEAL TOP OF JOINT AS WELL AS THE SIDES



V:\Projects\11771\11771\_11771\_11771\_11771\_11771.dwg  
 2007-12-13 11:04:00 AM P. ENG.

**APEGN**  
 Certificate of Authorization  
 Stantec Consulting Ltd.  
 No. 1301 Expiry: April 30, 2008

LOCATION APPROVED UNDERGROUND STRUCTURES		B.M. ELEV.
SUPV. U/G STRUCTURES COMMITTEE	DATE	
NOTE: LOCATION OF UNDERGROUND STRUCTURES AS SHOWN ARE BASED ON THE BEST INFORMATION AVAILABLE BUT NO GUARANTEE IS GIVEN THAT ALL EXISTING UTILITIES ARE SHOWN OR THAT THE GIVEN LOCATIONS ARE EXACT. CONTRIBUTION OF EXISTENCE AND EXACT LOCATION OF ALL SERVICES MUST BE OBTAINED FROM THE INDIVIDUAL UTILITIES BEFORE PROCEEDING WITH CONSTRUCTION.		
1 ISSUED FOR ADDENDUM 1	07.12.13	K.S.A.
0 ISSUED FOR TENDER	07.12.03	K.S.A.
NO. REVISIONS	DATE	BY

Stantec Consulting Ltd.	
905 Waverley Street, Winnipeg, Manitoba Tel 204-489-5900 Fax 204-453-9012	
DESIGNED BY K.S.A.	CHECKED BY B.J.W.
DRAWN BY J.M.B.	APPROVED BY K.S.A.
AUTHORIZED BY: DATE BILL EBENSPIANGER DEC. 6, 2007 B. EBENSPIANGER, P. ENG. BRIDGE PROJECTS ENGINEER	
HOR. SCALE: AS SHOWN VERTICAL: AS SHOWN DATE OCT. 20, 2007	

ENGINEER'S SEAL	
ORIGINAL SEALED BY K.S. AMY P. ENG. 07.12.03	
CONSULTANT DRAWING NO. SB705-682	

THE CITY OF WINNIPEG PUBLIC WORKS DEPARTMENT TRANSPORTATION ENGINEERING DIVISION	
ACCESS BRIDGE TO 330 AND 334 BONNER AVENUE	SHEET 6 OF 9 CAD FILE DRAWING NUMBER 31410sb705-682.dwg
CONCRETE SECTIONS & DETAILS	CITY DRAWING NUMBER B176-08-06