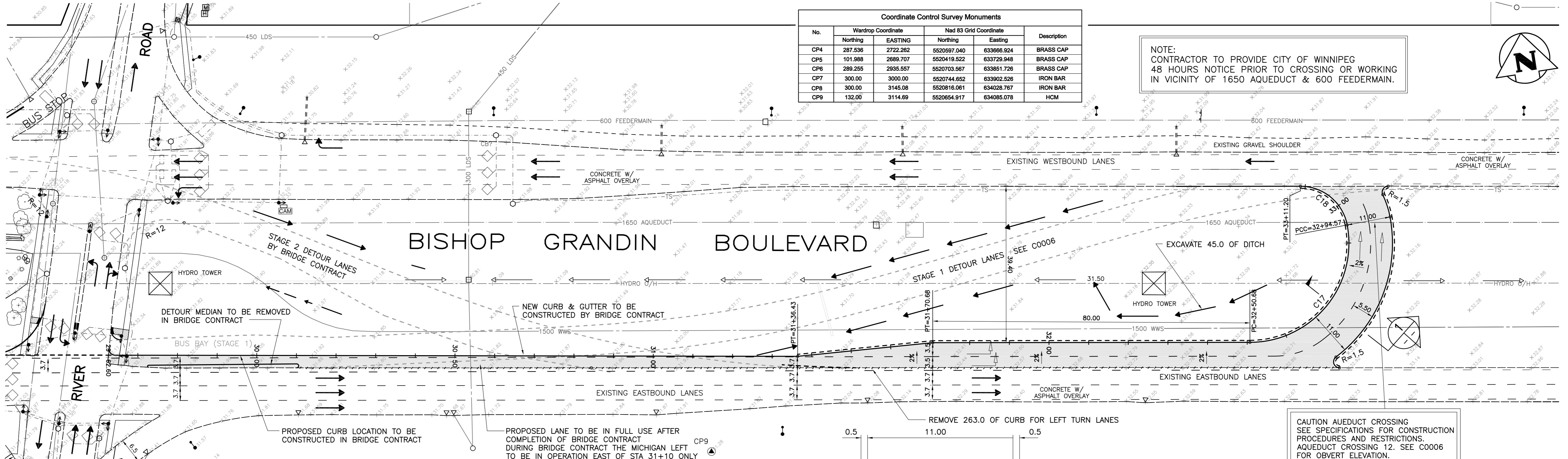
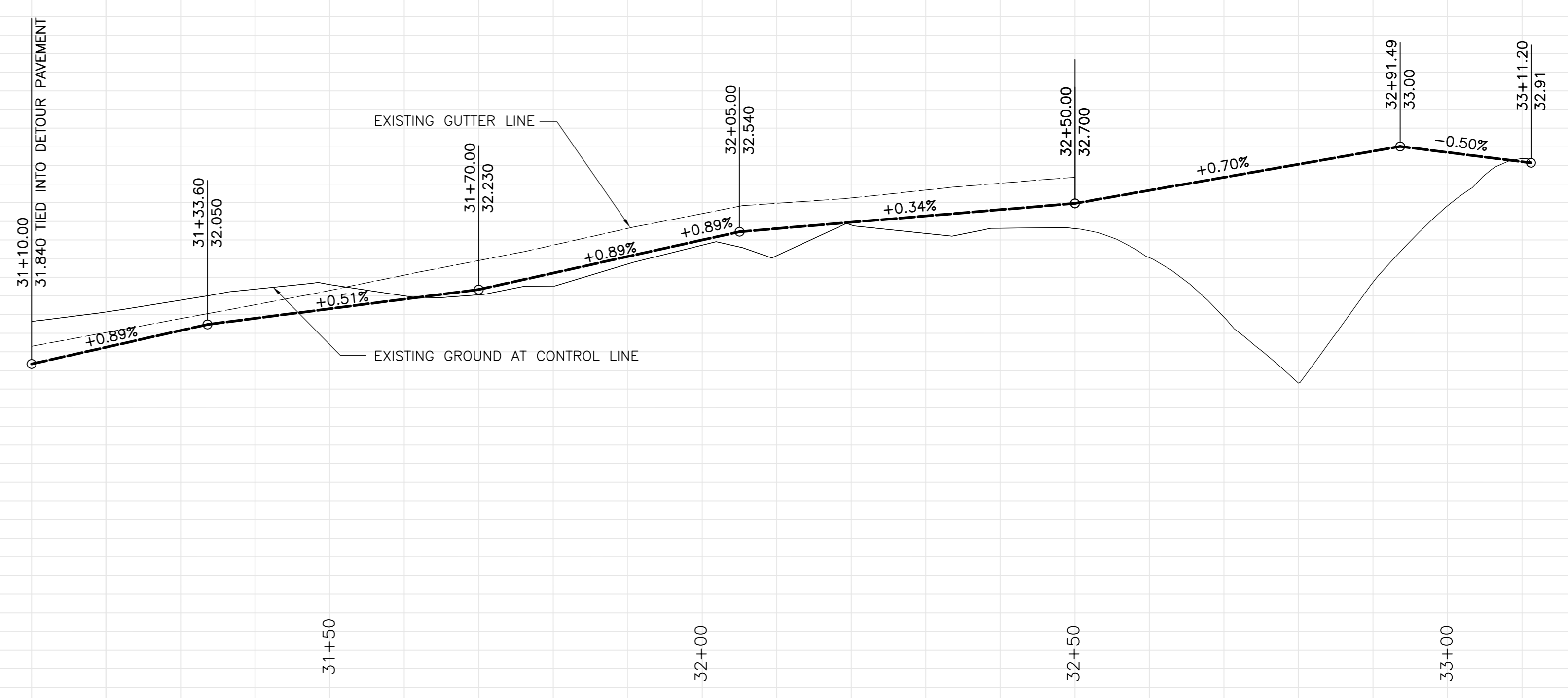


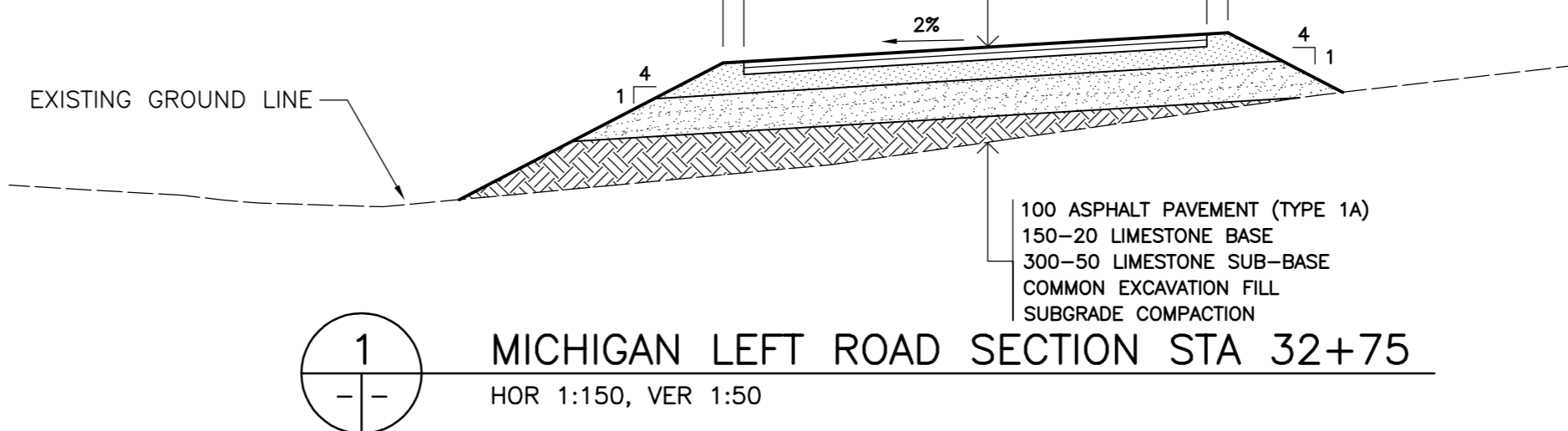
233.0  
232.6  
232.2  
231.8  
231.4  
231.0



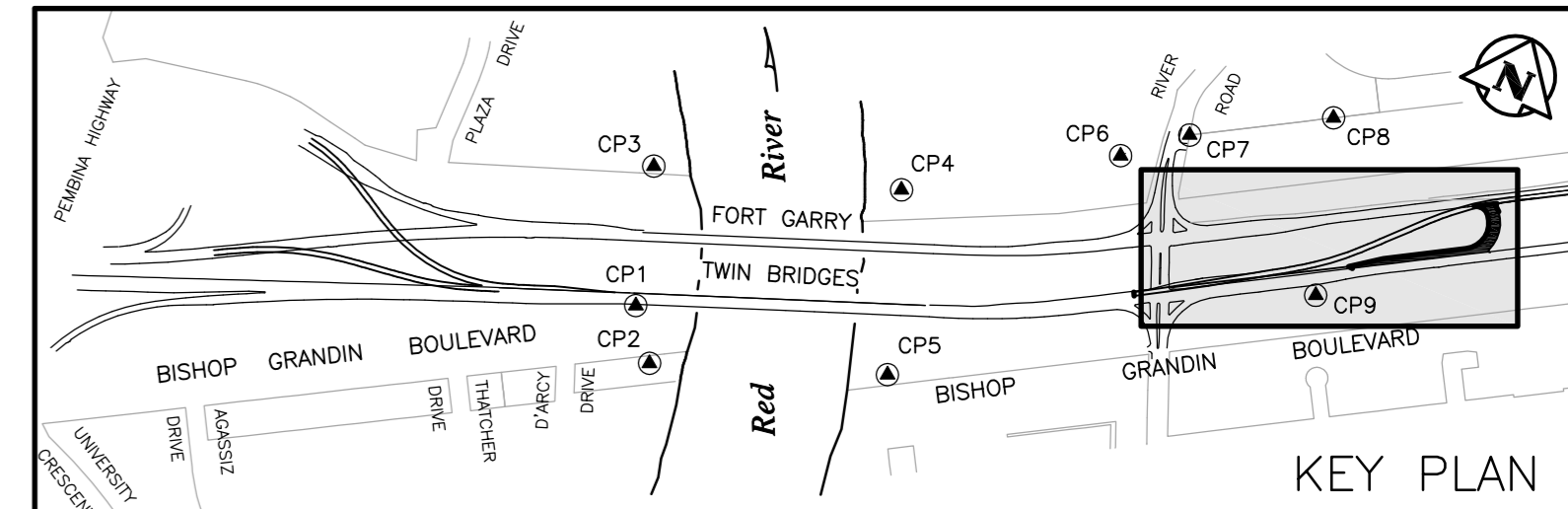
No.	Wardrop Coordinate		Nad 83 Grid Coordinate		Description
	Northing	Easting	Northing	Easting	
CP4	287.536	2722.262	5520597.040	633666.924	BRASS CAP
CP5	101.988	2689.707	5520419.522	633729.948	BRASS CAP
CP6	289.255	2935.557	5520703.567	633851.726	BRASS CAP
CP7	300.00	3000.00	5520744.652	633902.526	IRON BAR
CP8	300.00	3145.08	5520816.061	634028.767	IRON BAR
CP9	132.00	3114.69	5520654.917	634085.078	HCM

NOTE:  
CONTRACTOR TO PROVIDE CITY OF WINNIPEG  
48 HOURS NOTICE PRIOR TO CROSSING OR WORKING  
IN VICINITY OF 1650 AQUEDUCT & 600 FEEDERMAIN.

STAGE 1 MICHIGAN LEFT East of Red River Control Line = N Edge of Lane						
Control Point	Station	Coordinate		Curve Data		
		Northing	Easting	Parameter	C17	C18
PT	31+36.43	156.046	3136.432	R	25.00	12.00
PT	31+70.68	159.490	3170.504	Δ	100°36'7"	79°23'53"
PC	32+50.68	159.573	3250.504	Tan	30.11	9.98
PCC	32+94.57	189.198	3275.047	L	43.90	16.63
PT	33+11.20	198.978	3263.241			



CAUTION AQUEDUCT CROSSING  
SEE SPECIFICATIONS FOR CONSTRUCTION  
PROCEDURES AND RESTRICTIONS.  
AQUEDUCT CROSSING 12. SEE C0006  
FOR OVERT ELEVATION.



**APEGN**  
Certificate of Authorization  
Wardrop Engineering Inc.  
No. 195 Expiry: April 30, 2008

150 WM	WATERMAIN	150 WM	○	MANHOLE	●	---	GAS
400 FM	FEEDERMAIN	400 FM	□	CATCHBASIN	■	---	HYDRO
300 LDS	LAND DRAINAGE SEWER	300 LDS	▽	CURB INLET	▼	---	MTS
250 WWS	WASTEWATER SEWER	250 WWS	•	HYDRO POLE	○	---	SIGNALS MANHOLE
300 CS	COMBINED SEWER	300 CS	+	LIGHT STANDARD	×	---	ELEVATION (32.000)
200 FCM	FORCEMAIN	200 FCM	←	ANCHOR	—	---	SIDEWALK
+	JUNCTIONS	+	⊙	TREE	—	---	CURB
⊕	HYDRANT	⊕	15.240	LEGAL DIMENSION	—	---	ASPHALT
⊖	VALVE	⊖	⊕	SURVEY BAR	—	---	CONCRETE
♂	CURB STOP	♂	♂	TRAFFIC SIGNAL	—	---	MILLING/PATCHING
EXISTING	LEGEND-PLAN	PROPOSED	EXISTING	LEGEND-PLAN	PROPOSED	EXISTING	LEGEND-PLAN

LOCATION APPROVED  
UNDERGROUND STRUCTURES  
SUPV. U/G STRUCTURES DATE COMMITTEE  
NOTE:  
LOCATION OF UNDERGROUND STRUCTURES AS SHOWN ARE BASED ON THE BEST INFORMATION AVAILABLE. BUT NO GUARANTEE IS GIVEN THAT ALL EXISTING UTILITIES ARE SHOWN OR THAT THE GIVEN LOCATIONS ARE EXACT. CONFIRMATION OF EXISTENCE AND EXACT LOCATION OF ALL SERVICES MUST BE OBTAINED FROM THE INDIVIDUAL UTILITIES BEFORE PROCEEDING WITH CONSTRUCTION.

B.M. ELEV.	NO.	REVISIONS	DATE	BY
	01	ISSUED FOR ADDENDUM 2	07.08.16	WJF
	00	ISSUED FOR TENDER	07.08.08	WJF

**WARDROP** Engineering Inc.  
DESIGNED BY DAL  
CHECKED BY WJF  
DRAWN BY GMD  
APPROVED BY WJF  
HOR. SCALE: 1 : 500  
VERTICAL: 1 : 20  
RELEASED FOR CONSTRUCTION  
DATE 07.08.10

**PRELIMINARY DRAWING**  
NOT TO BE USED FOR CONSTRUCTION  
CONSULTANT DRAWING NO. 0600070700-DWG-C1009-01

**THE CITY OF WINNIPEG**  
PUBLIC WORKS DEPARTMENT  
ENGINEERING DIVISION  
FORT GARRY BRIDGE REHABILITATION  
STAGE 1 MICHIGAN LEFT  
CITY DRAWING NUMBER  
SHEET 9 OF 9  
C0009