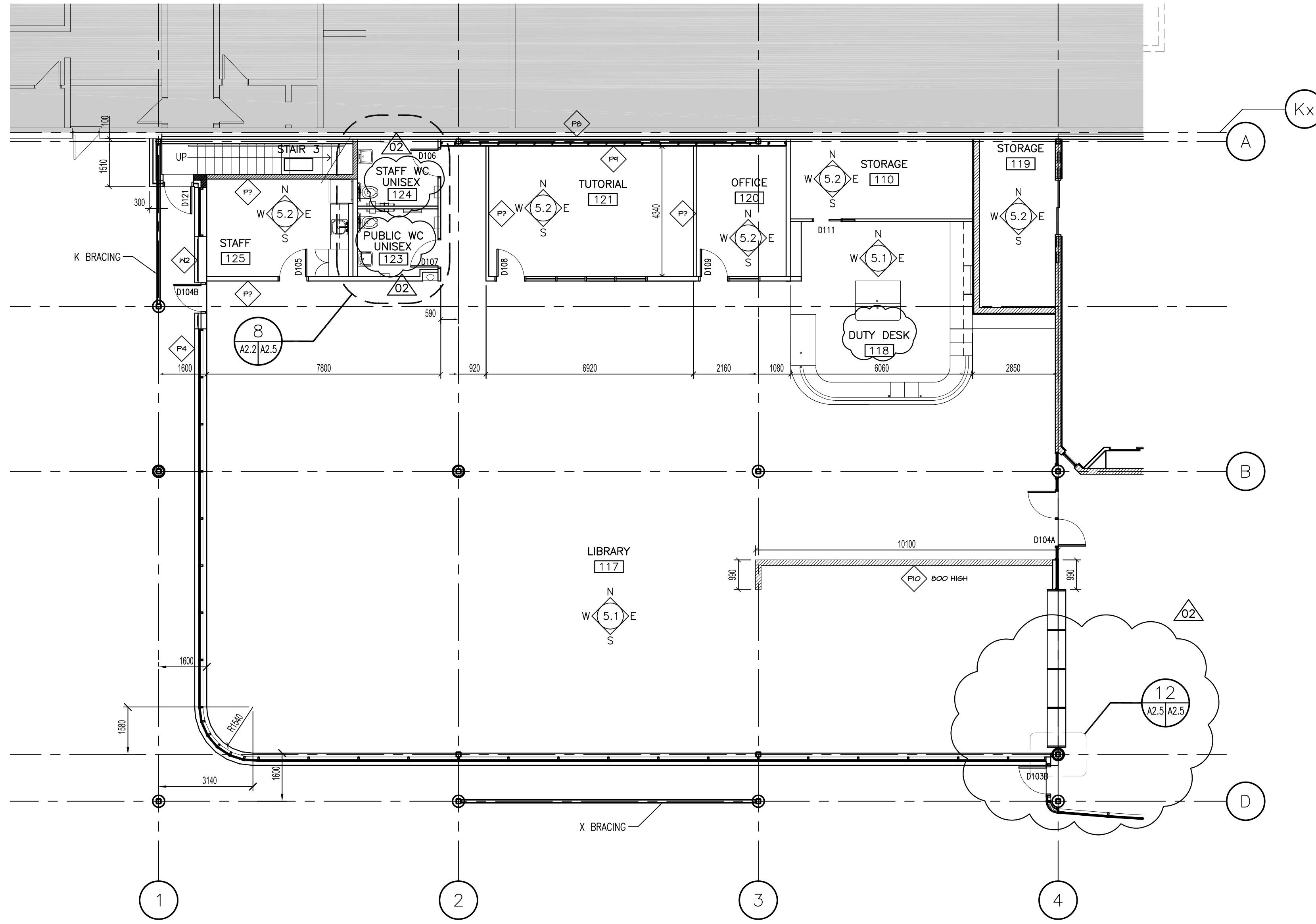
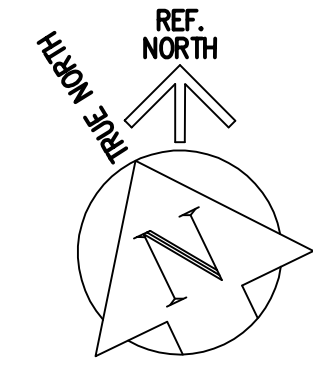
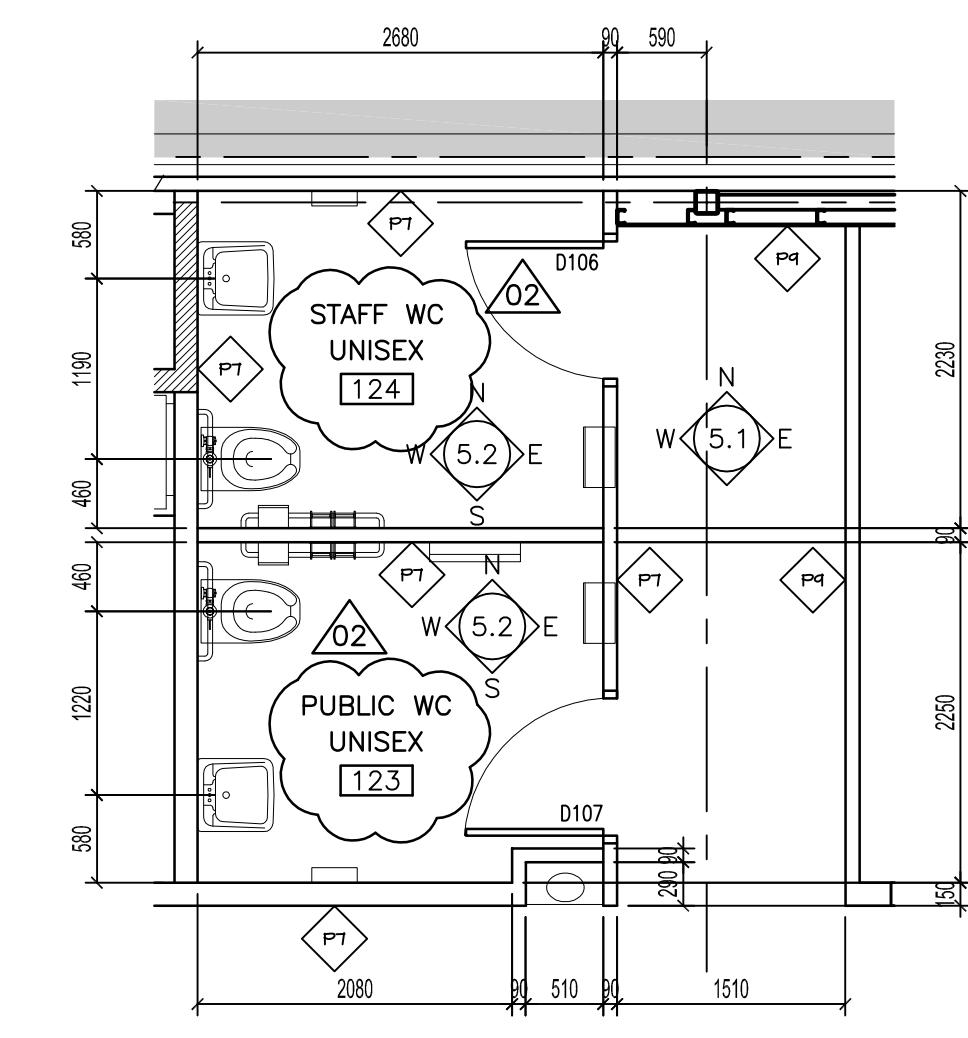


PROJECT No: 06024 ADDRESS: 999 Sargent Ave, Winnipeg, MB DATE: 2007 June 22 FILE NAME: 06024-A2.5.rvt/A2.5 DESCRIPTION: ENLARGED MAIN FLOOR PLAN

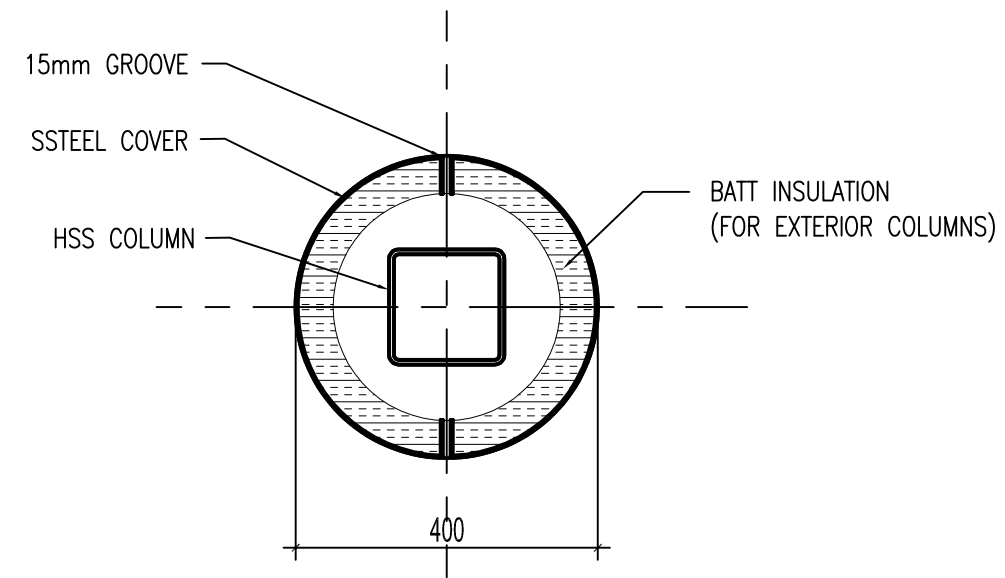


6 ENLARGED MAIN FLOOR PLAN
A2.2/A2.4 SCALE: 1 : 100

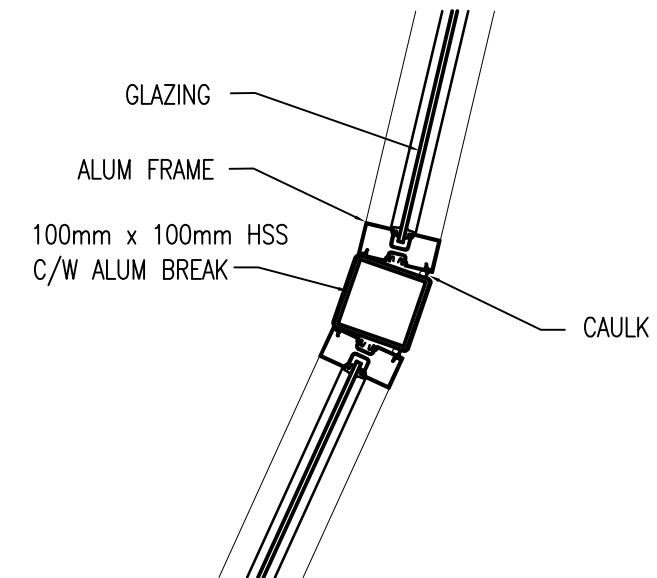


8 PUBLIC/ STAFF WC FLOOR PLAN
A2.5/A2.5 SCALE: 1 : 50

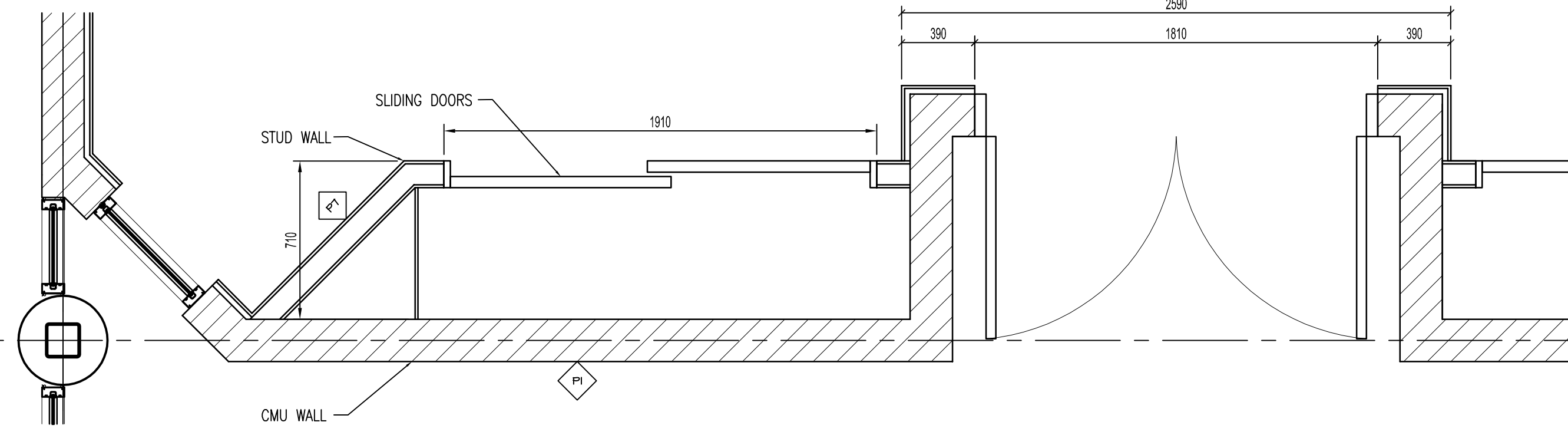
NOTES :
 THESE DRAWINGS SHALL NOT BE SCALED.
 THE CONTRACTOR SHALL VISIT THE SITE AND SATISFY HIMSELF ALL DIMENSIONS, DATUM, AND DETAILED INFORMATION SHOWN ARE CORRECT.
 THE CONTRACTOR IS TO REVIEW AND COORDINATE ALL ARCHITECTURAL, MECHANICAL, ELECTRICAL AND STRUCTURAL DRAWINGS FOR ADDITIONAL OPENINGS THROUGH FLOORS, WALLS, AND CEILINGS FOR DUCT, PIPE & ELECTRICAL RISERS AND ALL OPENINGS NOT SHOWN ON DRAWINGS.
 ALL OPENINGS THROUGH FIRE ASSEMBLIES ARE TO BE FIRE STOPPED AND SEALED WITH ULC APPROVED FIRE STOPPING TO MAINTAIN THE INTEGRITY OF THE FIRE SEPARATION, AND PROVIDE A SMOKE-TIGHT BARRIER.
 ALL PRODUCTS AND MATERIALS TO BE USED AND INSTALLED SHALL CONFORM WITH MANUFACTURER'S SPECIFICATIONS & APPLICABLE CODES.
 THE CONTRACTOR SHALL BE RESPONSIBLE TO PATCH AND MAKE GOOD ALL EXISTING CONSTRUCTION AFFECTED BY THE REMOVAL OF ALL ITEMS FORMING THE PART OF THE RENOVATION WORK.
 WHERE NEW FLOORING AND BASE IS TO BE INSTALLED IN EXISTING AREAS (REFER TO FLOOR PLAN AND ROOM SCHEDULE) THE EXISTING FLOORING SURFACE AND BASE MUST BE REMOVED, UNLESS OTHERWISE NOTED. ALL FLOOR SURFACES SHALL BE PREPARED IN ACCORDANCE TO MANUFACTURER'S RECOMMENDATIONS FOR INSTALLATION OF NEW FLOOR.
 WHERE PAINTING OF EXISTING WALLS IS INDICATED ON THE ROOM SCHEDULE, THESE WALLS MUST BE CLEANED OF ANY EXISTING WALL COVERING, PATCHED & PREPARED TO ACCEPT NEW MATERIAL, UNLESS OTHERWISE NOTED.



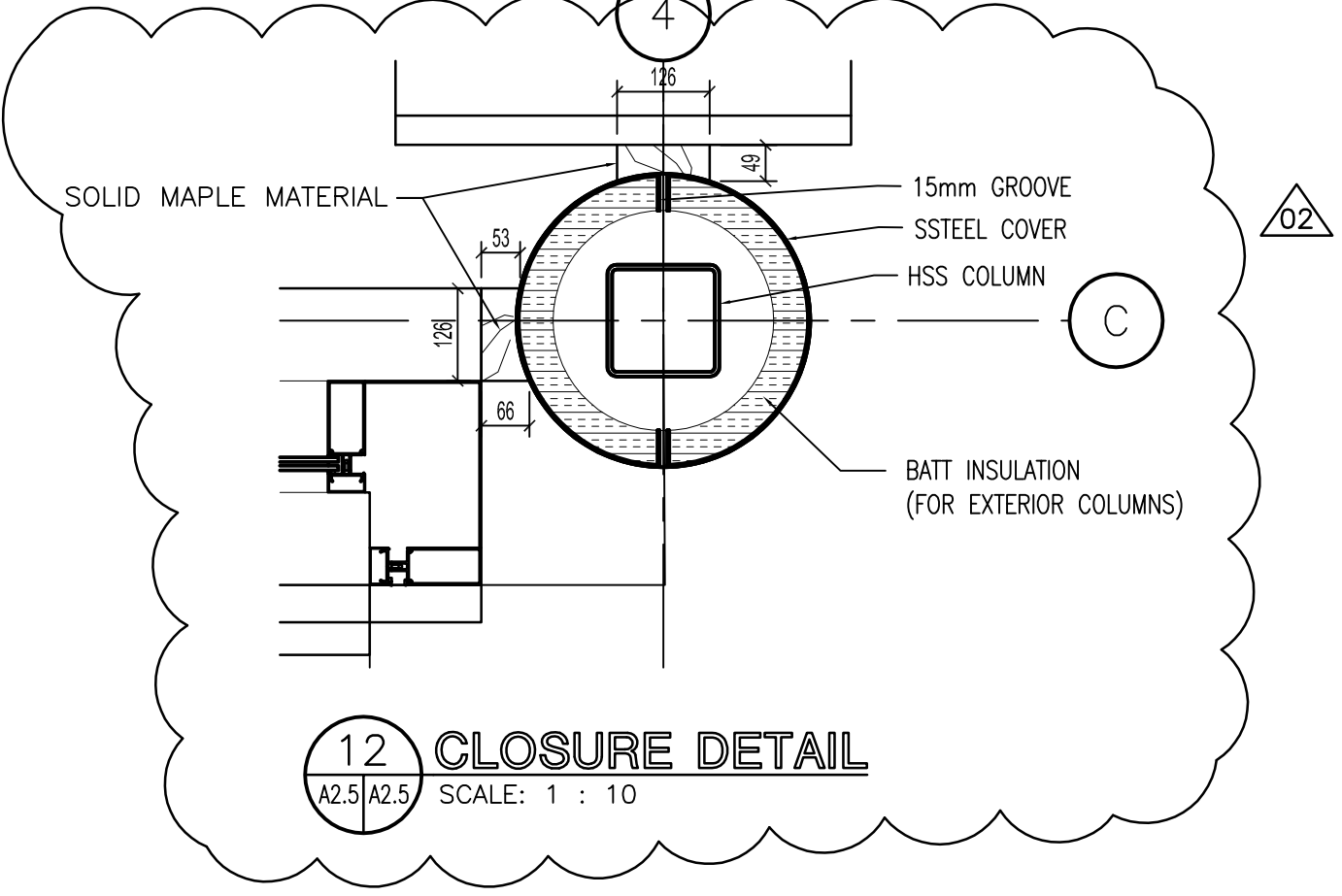
9 TYP COLUMN DETAIL
SCALE: 1 : 10



10 STIFFENER COLUMN DETAIL
A2.2/A2.5 SCALE: 1 : 10

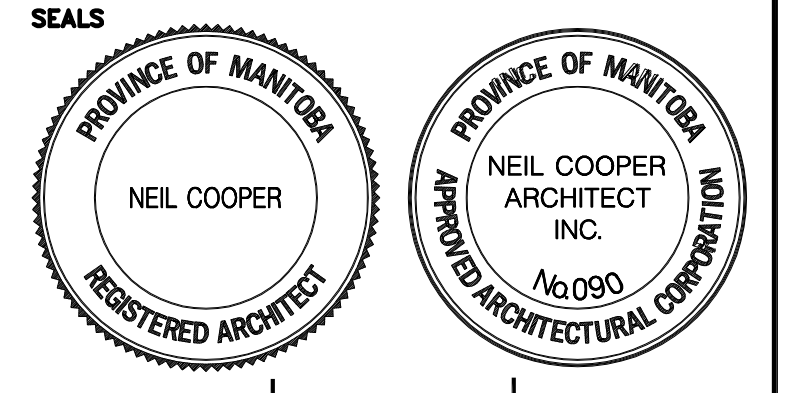


11 DETAIL
A2.2/A2.5 SCALE: 1 : 20



12 CLOSURE DETAIL
A2.5/A2.5 SCALE: 1 : 10

NO.	REVISION/DESCRIPTION	BY	DATE
02	ADDENDUM NO. 1	DG	AUG 10/07
01	ISSUED FOR PERMIT	DG	AUG 09/07
00	ISSUED FOR TENDER	DG	JUL 24/07



DRAWN BY: CAD **CHECKED BY:** USER **APPROVED:** APPROVAL
DATE: 2007 June 22

CITY OF WINNIPEG
 PLANNING, PROPERTY & DEVELOPMENT DEPARTMENT
 CIVIC ACCOMMODATIONS DIVISION
 300 - 65 GARRY ST. R3C 4K4

PROJECT:
 CONSTRUCTION OF
 CINDY KLASSEN RECREATION COMPLEX
 FACILITY ENHANCEMENT PROJECT
 999 Sargent Ave, Winnipeg, MB

SHEET TITLE:
 ENLARGED
 MAIN FLOOR PLAN

SCALE: AS SHOWN **PROJECT NO.:** 2005-059 **SHEET NO.:** A2.5

DRAWING SHEET SIZE: A1 (841mm x 594mm) PLOT 1:1

Neil Cooper Architect Inc.
 10-395 Berry Street, Winnipeg, Manitoba R3J 1N6

Last Save: 2007-08-14 3:53 PM

S:\NC\JOB\DATA\2006\06024 CINDY KLASSEN CENTRE RENOVATION\CONT DOC\CONT DWGS\ARCH DWGS\PLANS\A2.2-MAIN FLOOR PLAN.DWG