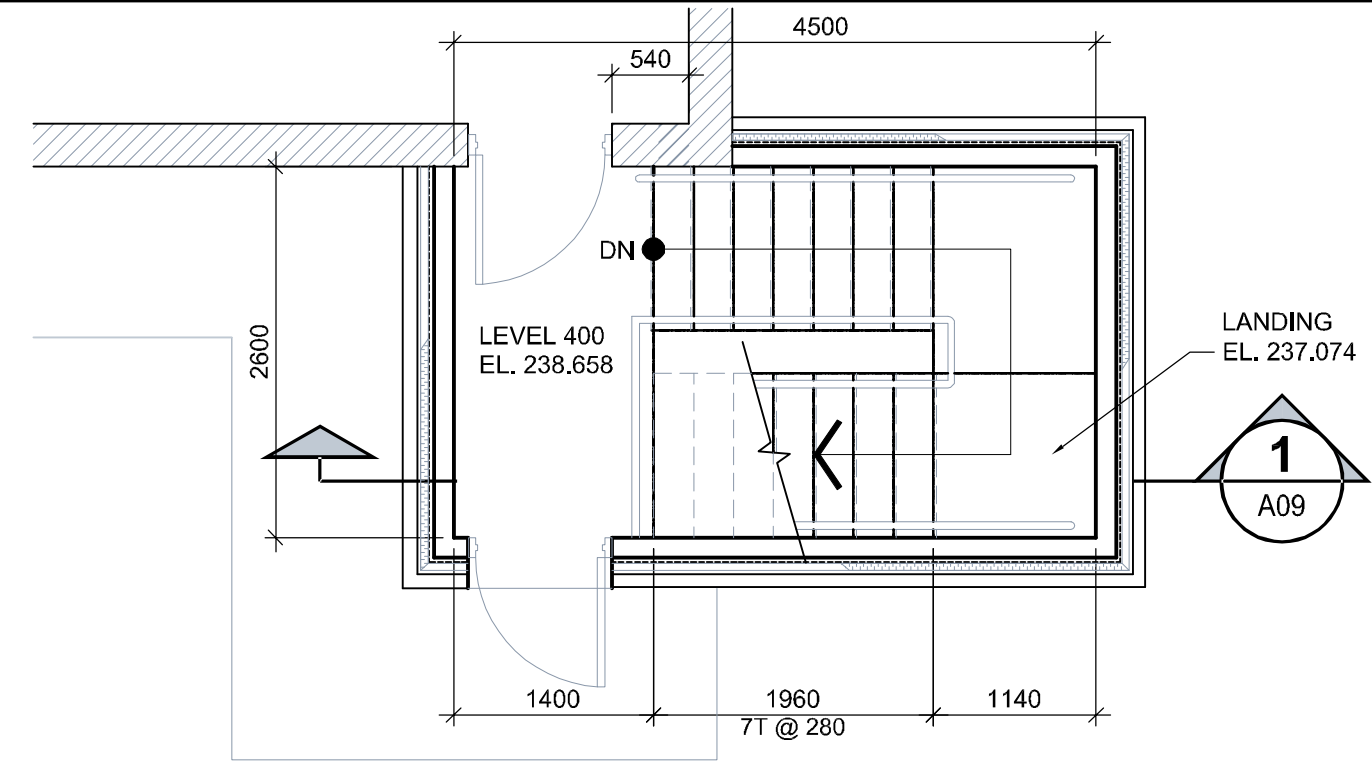


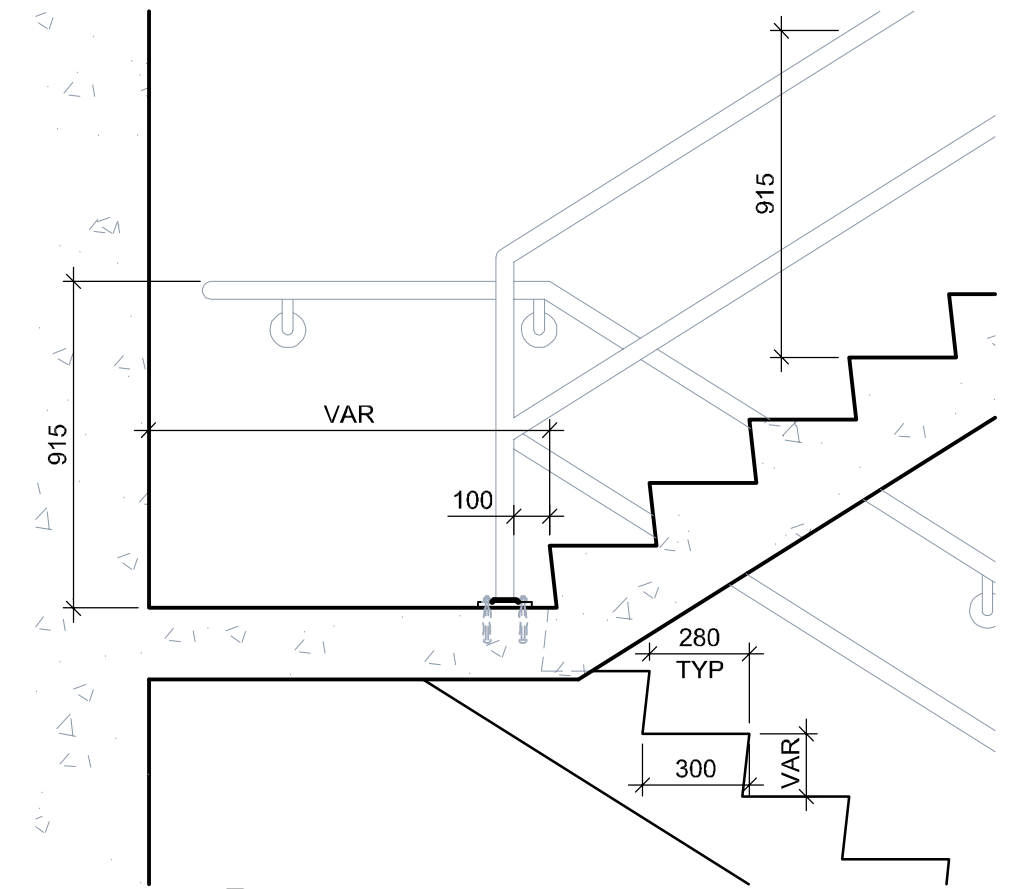
D SIZE 22" x 34" (559mm x 864mm)

PLOT: 1/31/2008 9:44:38 AM

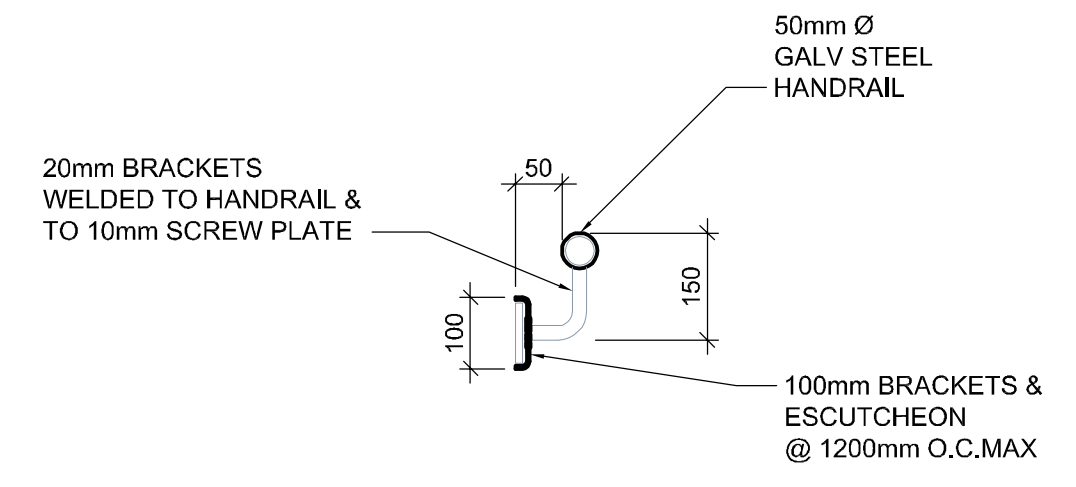
NCA FILE NAME: A0009-AR STR SEC.dwg Saved By: amercio.j



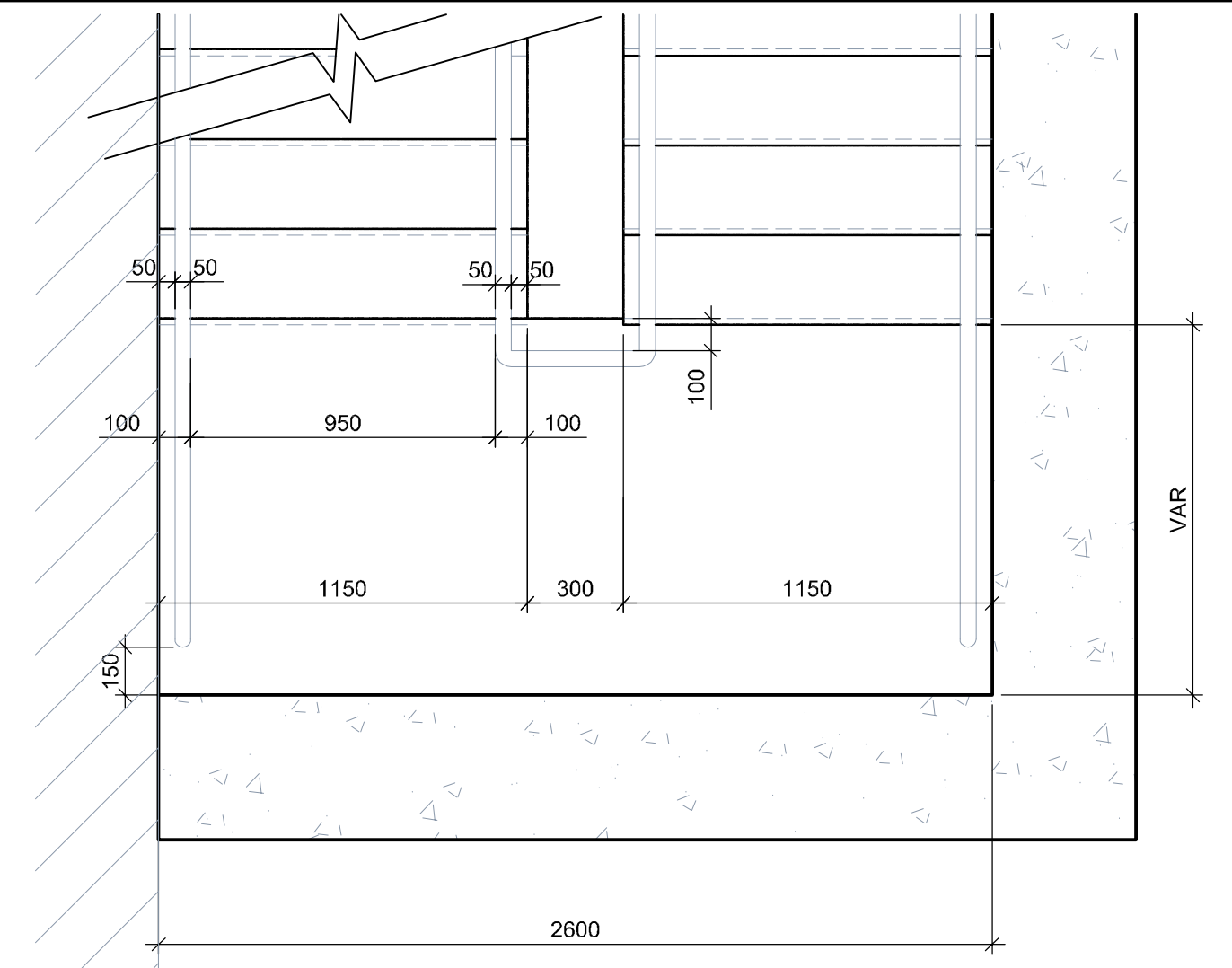
6 STAIR PLAN @ LEVEL 400
SCALE: 1:50



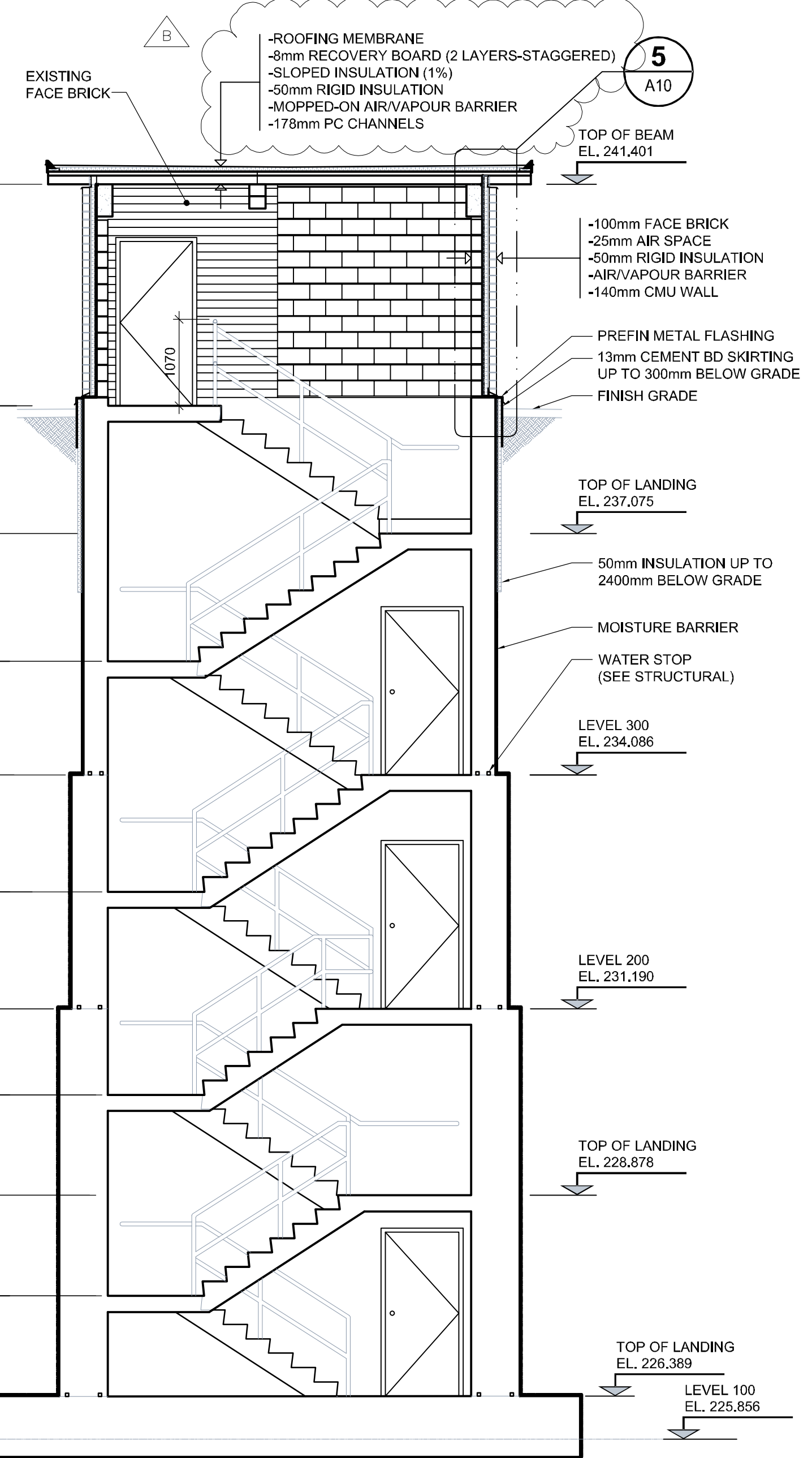
7 TYP DETAIL
SCALE: 1:20



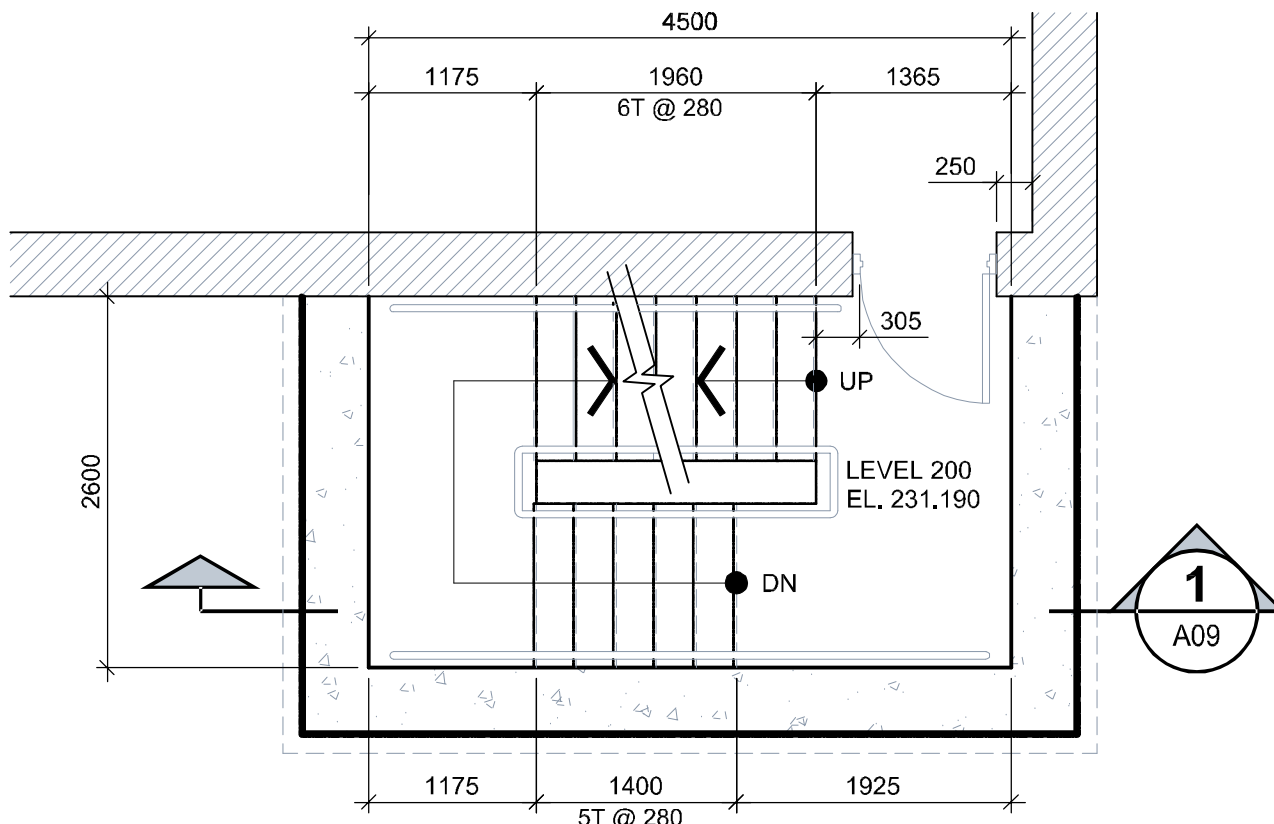
8 TYP DETAIL
SCALE: 1:10



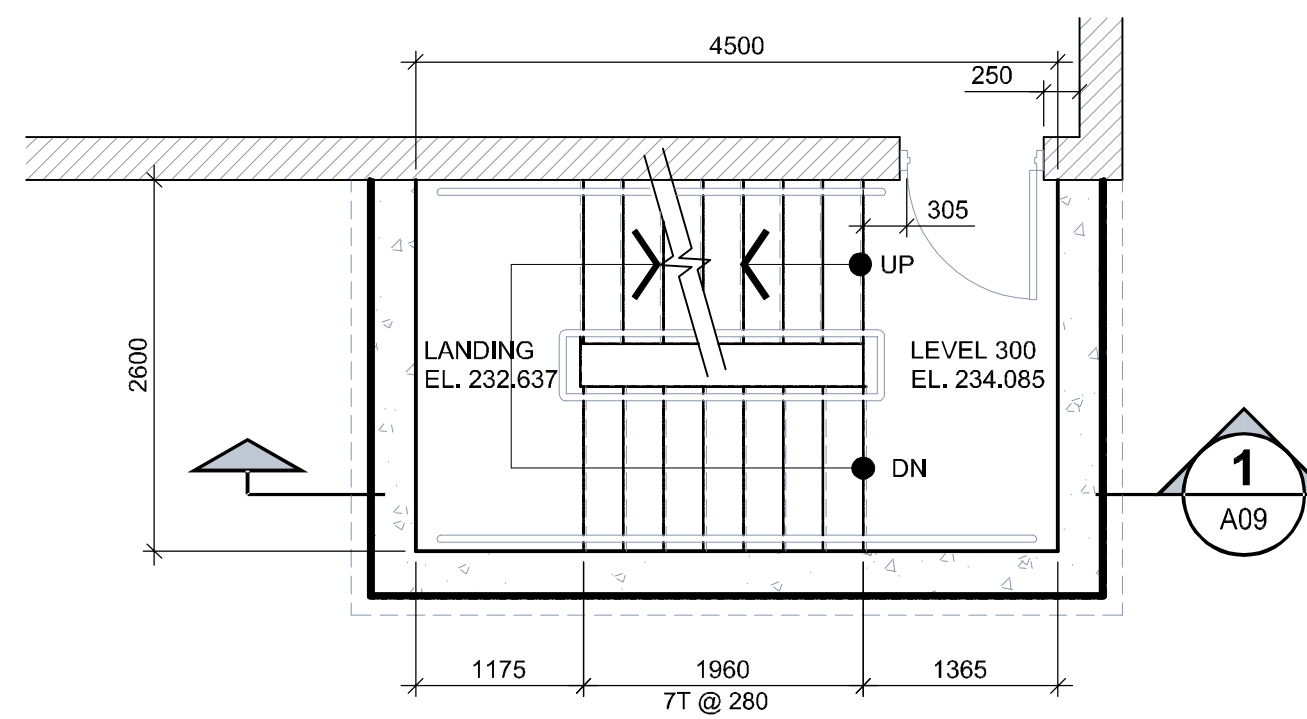
8 TYP STAIR PLAN
SCALE: 1:20



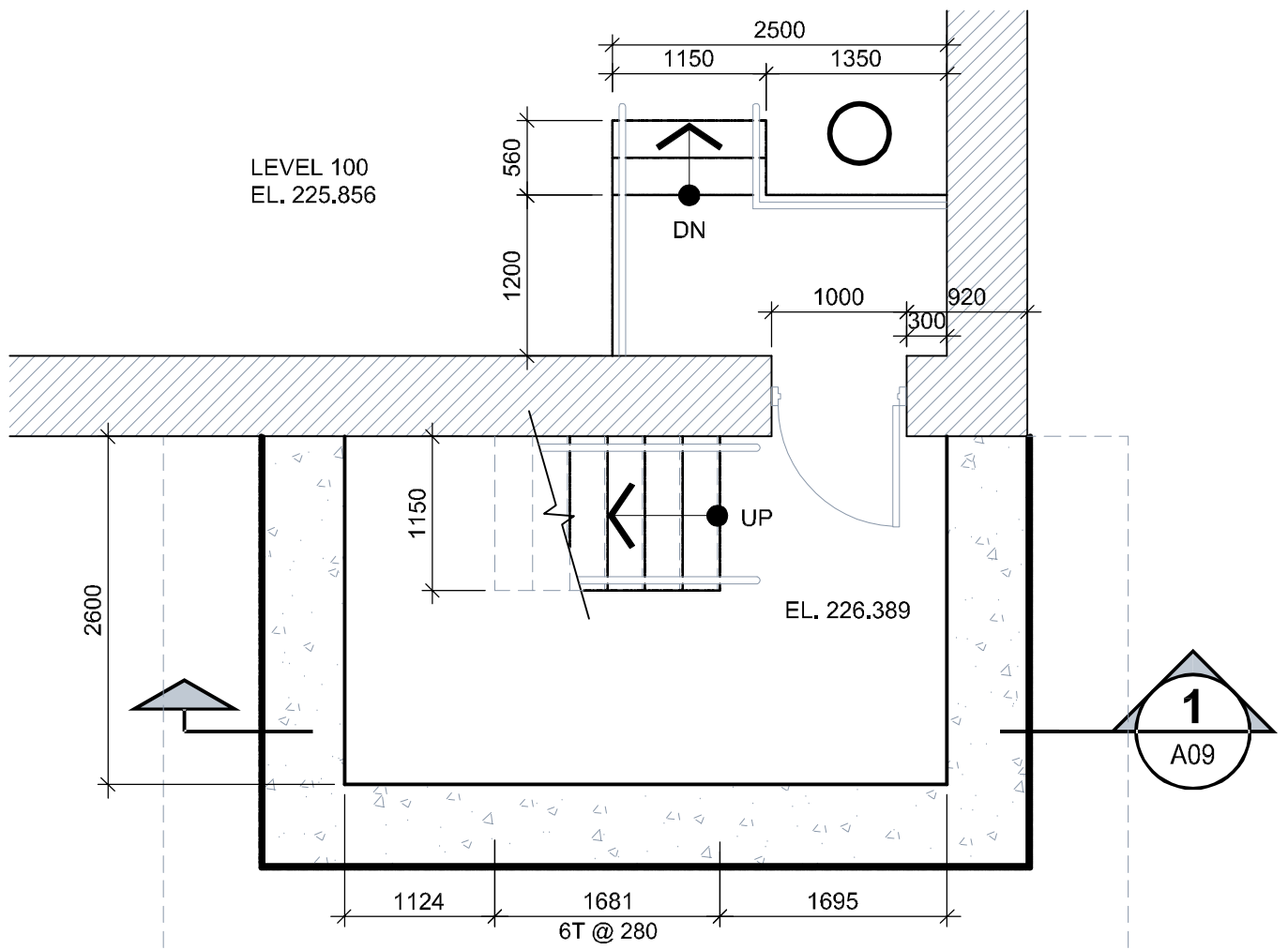
1 STAIR SECTION
SCALE: 1:50



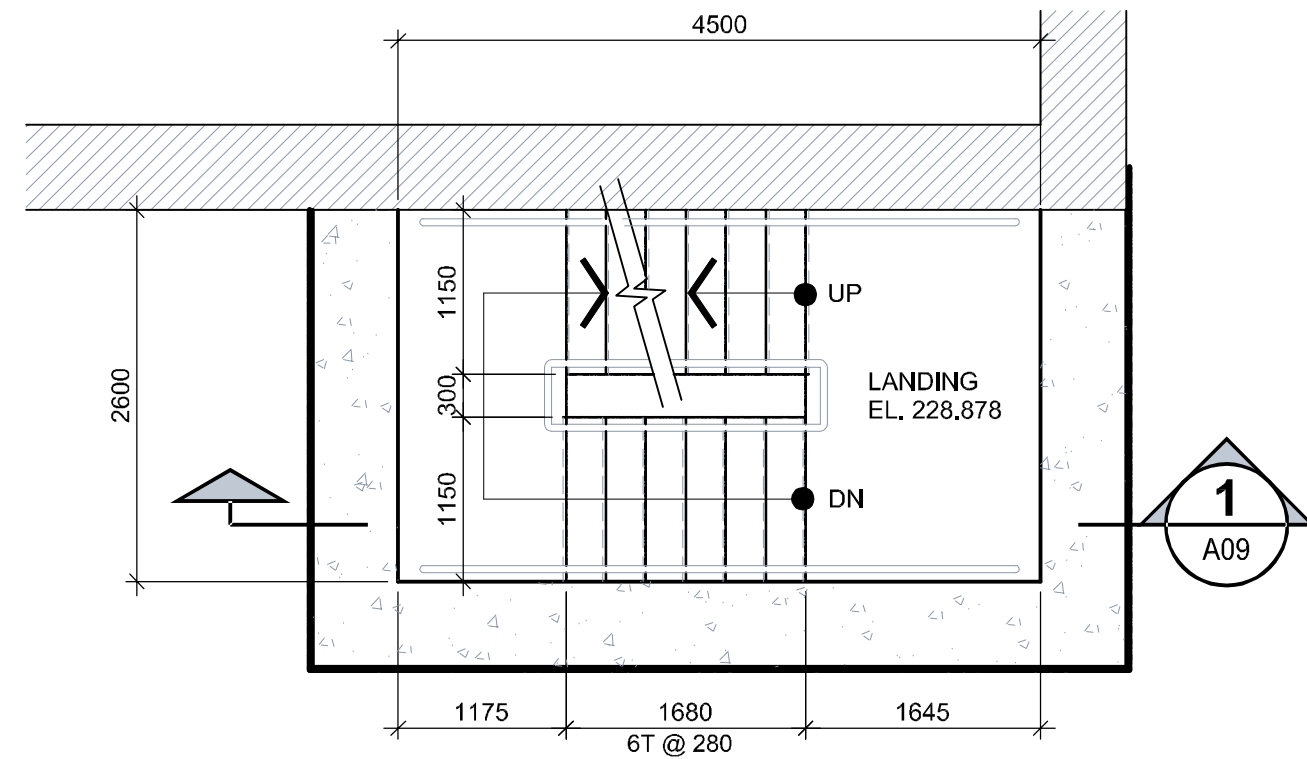
4 STAIR PLAN @ LEVEL 200
SCALE: 1:50



5 STAIR PLAN @ LEVEL 300
SCALE: 1:50



2 STAIR PLAN @ LEVEL 100
SCALE: 1:50



3 STAIR PLAN @ LANDING
SCALE: 1:50



B.M. ELEV.	FIELD BOOK #:	Neil Cooper Architect Inc. 10-395 Berry Street, Winnipeg, Manitoba R3M 1N6 Phone (204) 885-3855 Fax (204) 831-7148	
POSTED TO LBIS		DESIGNED BY: NC	CHECKED BY: -
		DRAWN BY: CCG/AL	APPROVED BY: -
		HOR. SCALE AS NOTED	RELEASED FOR CONSTRUCTION
		VERTICAL AS NOTED	
B ISSUED FOR ADDENDUM 4	08/02/01	AL	DATE 07/06/14
A ISSUED FOR BID	07/12/14	AL	DATE
NO. REVISIONS	DATE	BY	FILENAME: A0009-AR STR SEC.dwg

ENGINEER'S SEAL
REVISION - A
ISSUED FOR BID
WAS SEALED BY
NEIL COOPER
AND DATED
DEC 14, 2007

THE CITY OF WINNIPEG
WATER AND WASTE DEPARTMENT

PERIMETER ROAD PUMPING STATION UPGRADES
Contract B - Building Upgrades

Architectural - New Construction
STAIR SECTION & PLANS

CITY DRAWING NUMBER: 1-0111L-A0009
SHEET: 001
REV: B
SIZE: D