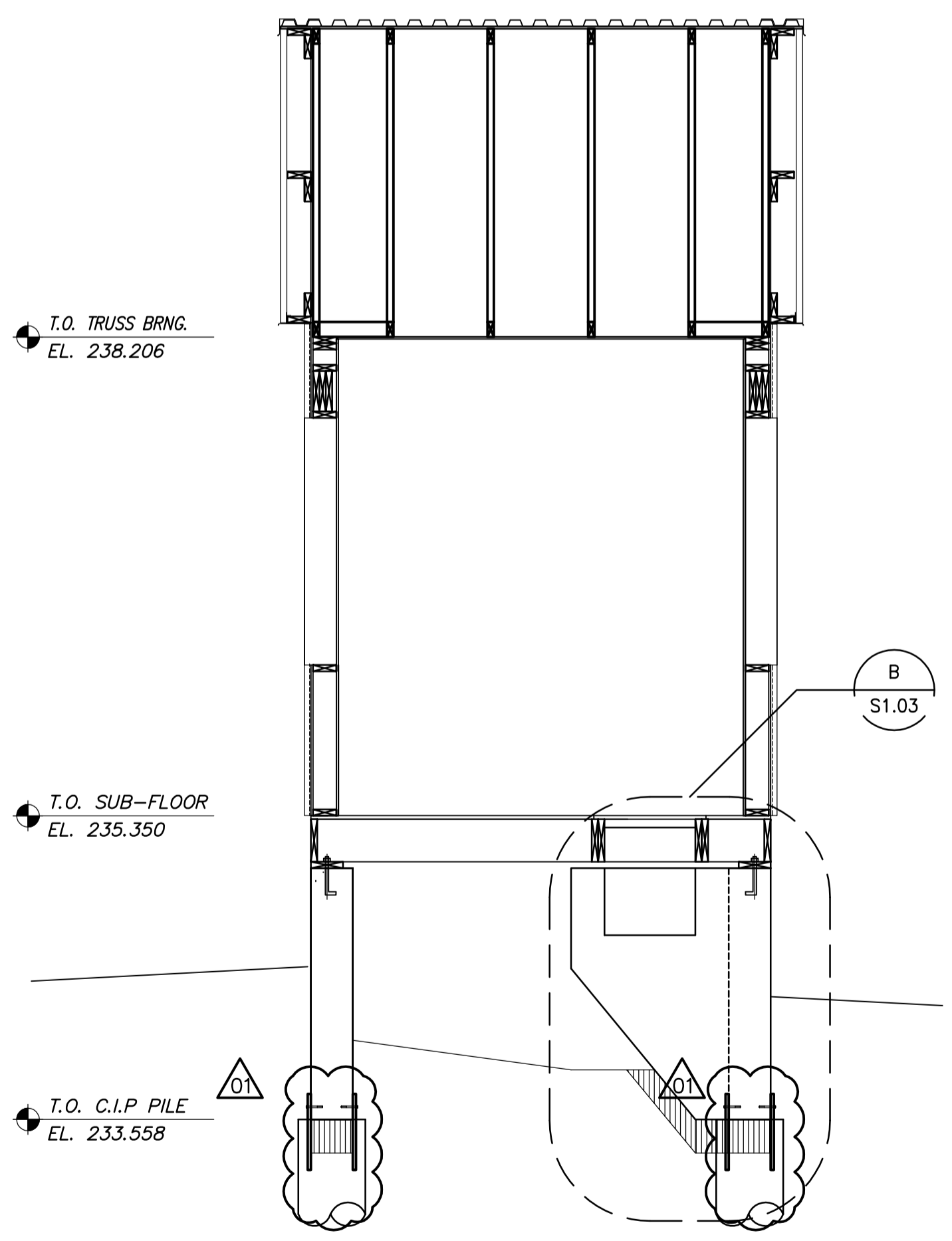
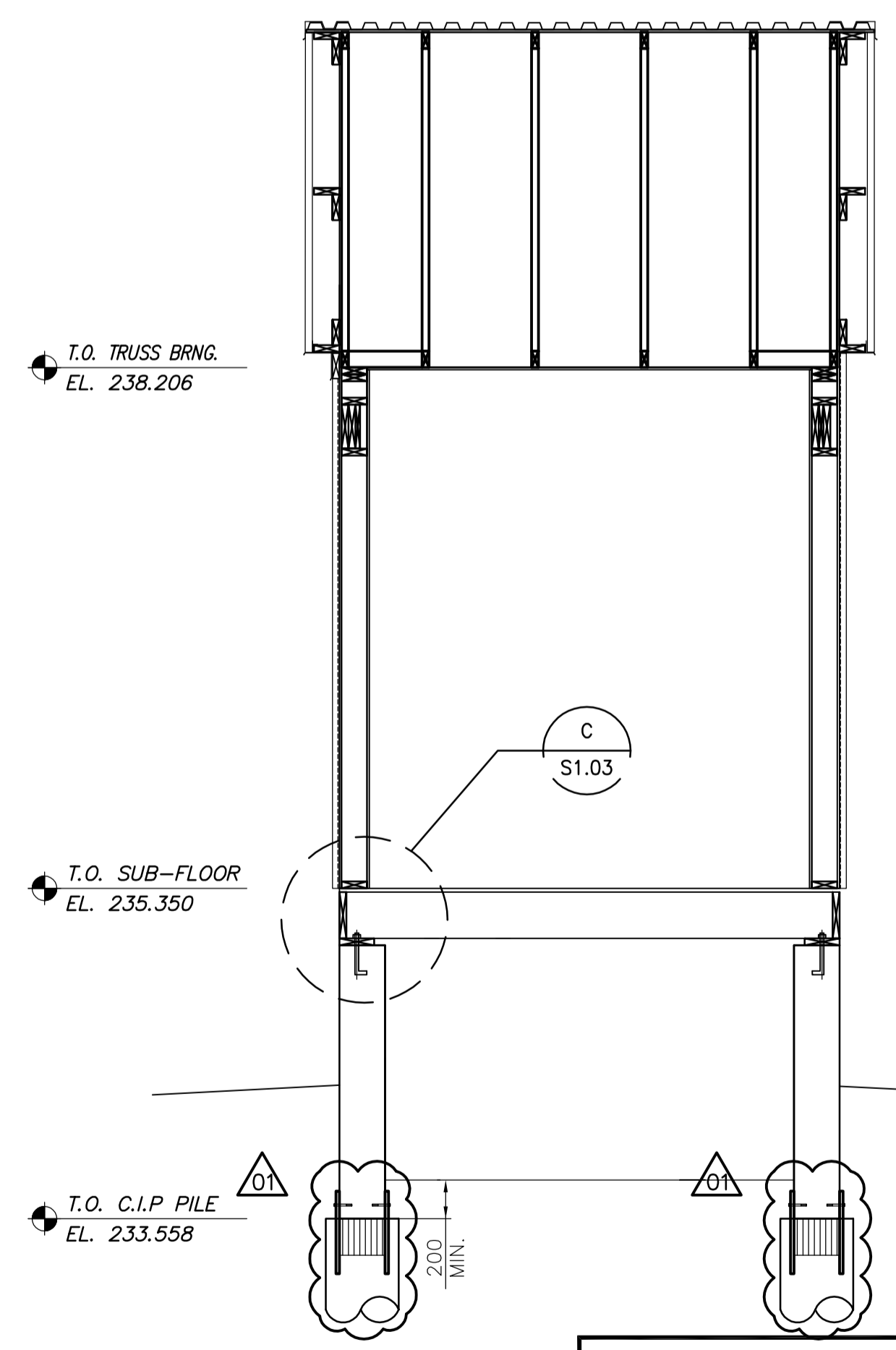


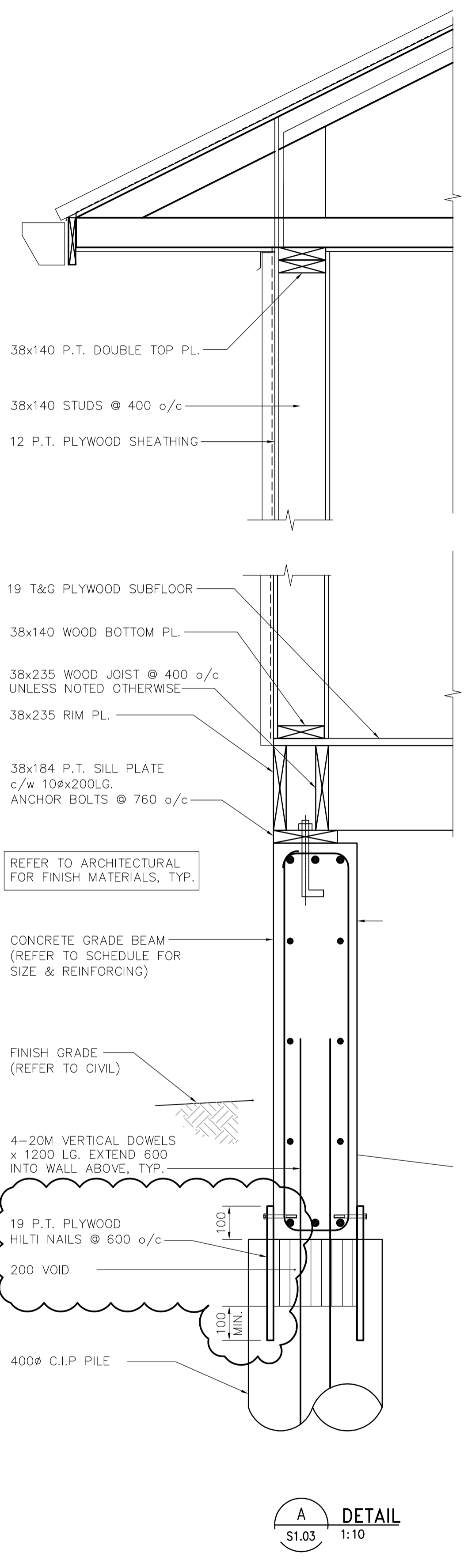
**1 SECTION**  
S1.02 1:30



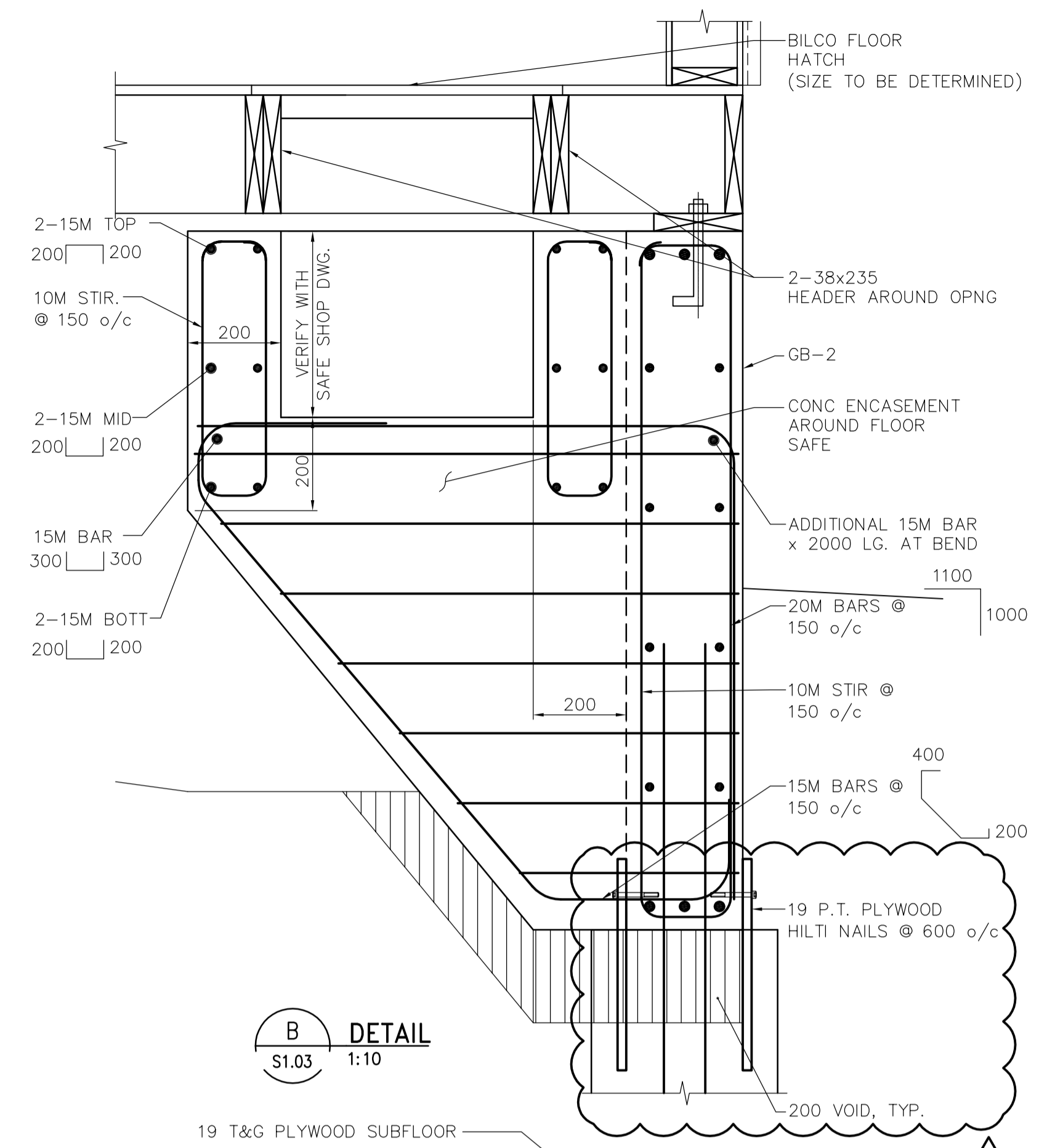
**2 SECTION**  
S1.02 1:30



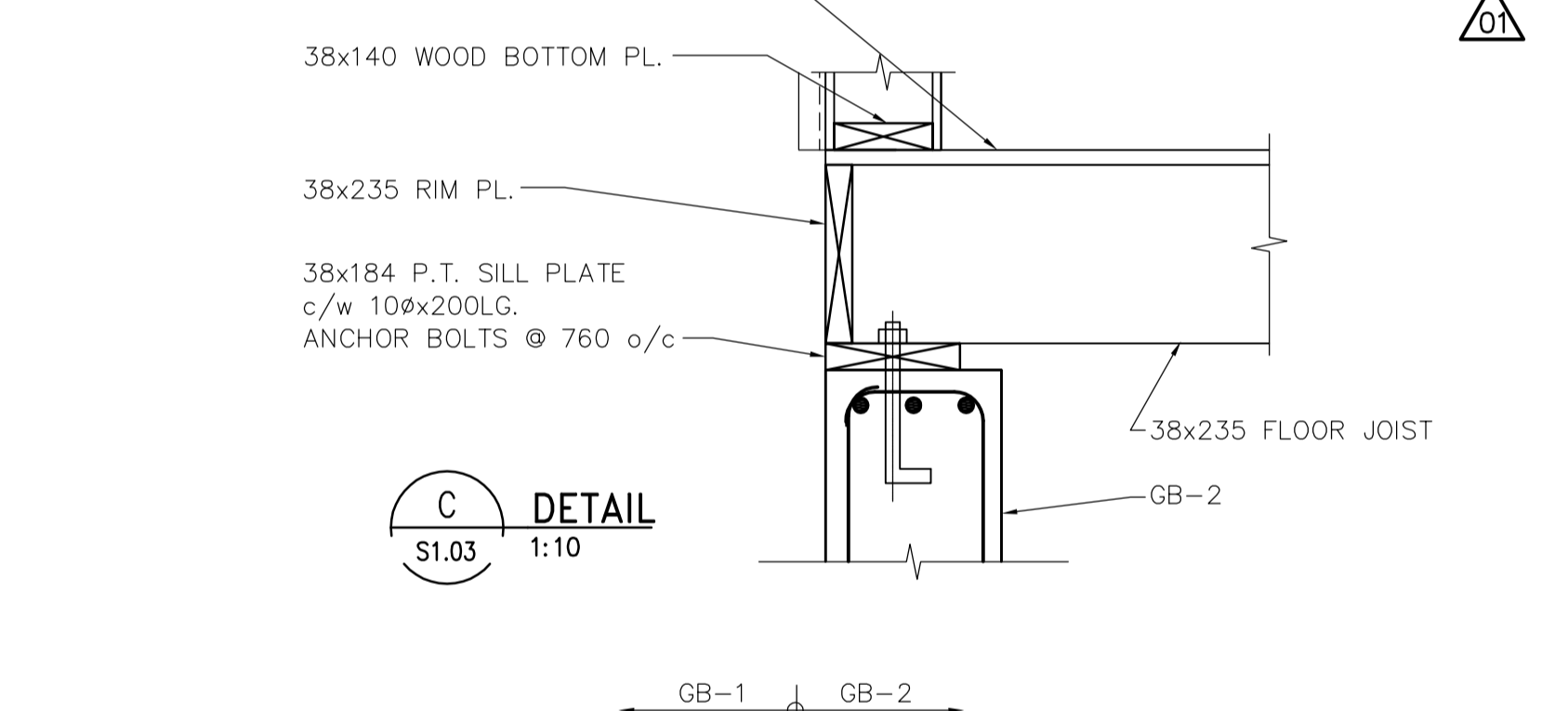
**3 SECTION**  
S1.02 1:30



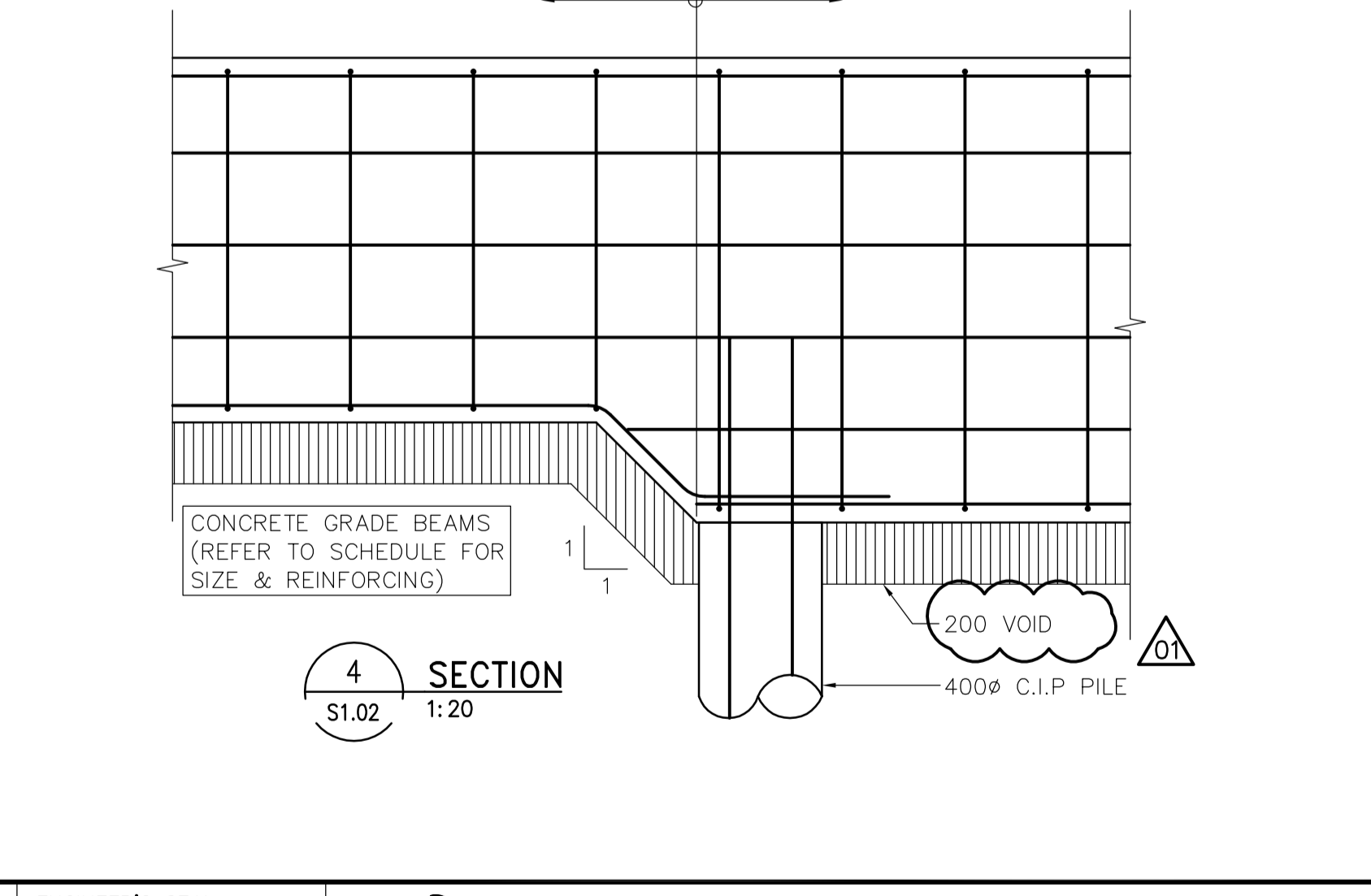
**A DETAIL**  
S1.03 1:10



**B DETAIL**  
S1.03 1:10



**C DETAIL**  
S1.03 1:10



**4 SECTION**  
S1.02 1:20

<p><b>APEGM</b> Certificate of Authorization Earth Tech Canada Inc. No. 730</p>	B.M. ELEV.	Frederickson Cooper ARCHITECTS	EarthTech A Type International Ltd. Company	ENGINEER'S SEAL	<p><b>THE CITY OF WINNIPEG</b> WATER AND WASTE DEPARTMENT SOLID WASTE SERVICES DIVISION</p>	
	DESIGNED BY LLR/GGP	CHECKED BY GGP	DESIGNED BY LLR/GGP	ORIGINAL SIGNED BY M. KLASSEN		BRADY RD. LANDFILL NEW ENTRANCE AND SCALE FACILITY
	DRAWN BY KK	APPROVED BY TGS	DRAWN BY KK	2007/07/20		
	SCALE: AS NOTED	RELEASED FOR CONSTRUCTION BY: V. JEANCART	SCALE: AS NOTED	CONSULTANT DRAWING NO. S1.03		SHEET OF
NO. REVISIONS	DATE BY	DATE 2006/07/24	DATE 2007/07/20	CITY DRAWING NUMBER SWD-D-381		