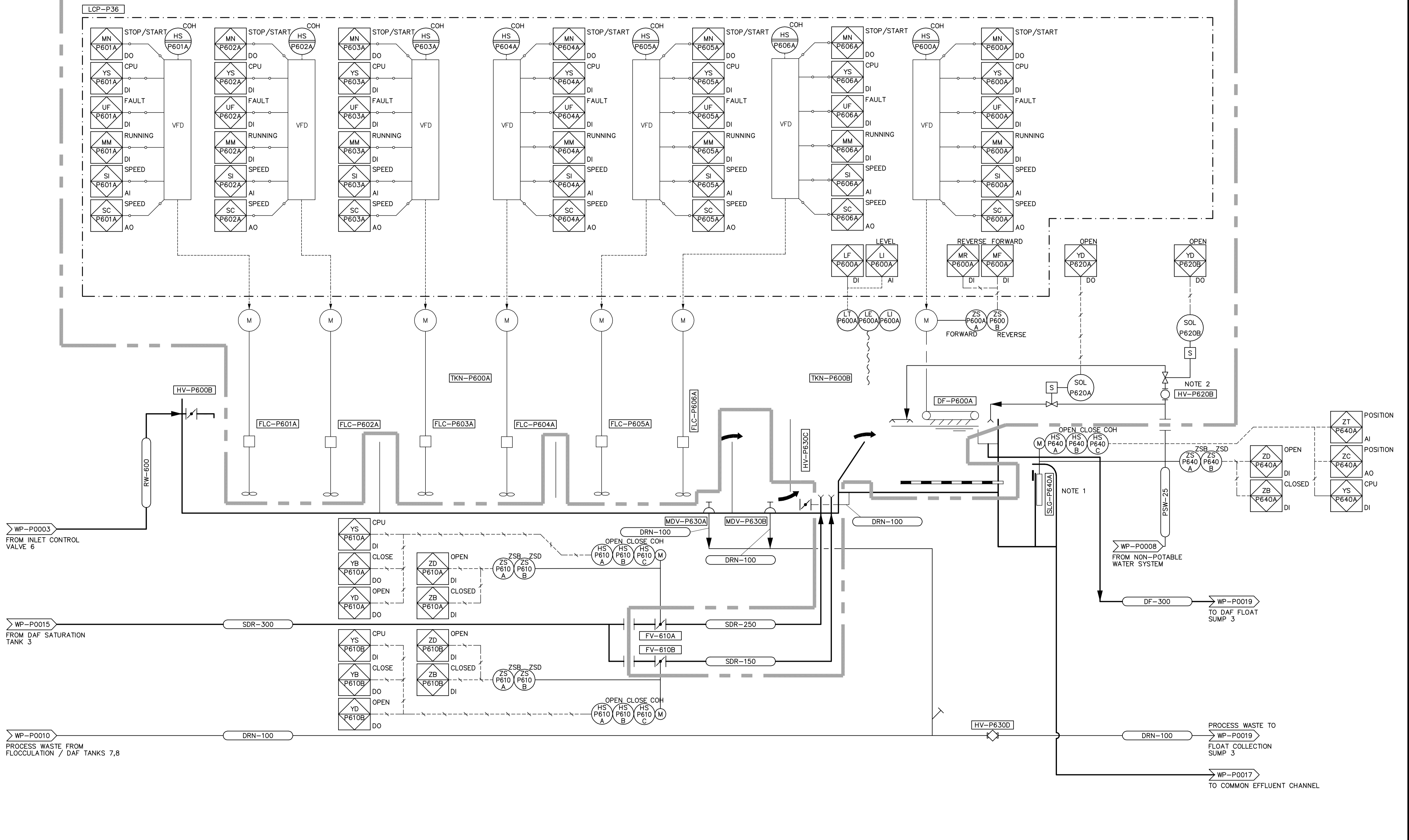


SUPPLY CONTRACTOR PACKAGE



- NOTES:
1. GATE IS PART OF VENDOR PACKAGE.
 2. BALL VALVE NOT PART OF LEOPOLD'S SCOPE OF SUPPLY.

APEGM
 Certificate of Authorization
 Earth Tech Canada Inc.
 No. 730 Expiry: April 30, 2006

B.M. ELEV.			
DESIGNED BY	KAS	CHECKED BY	SMB
DRAWN BY	LAE	APPROVED BY	AHL
SCALE:	NONE	RELEASED FOR CONSTRUCTION BY:	R. SOROKOWSKI
DATE	2005/02/16	DATE	2006/03/29
NO.	REVISIONS	DATE	BY
01	ISSUED FOR CONSTRUCTION	06/07/28	JBC
00	ISSUED FOR TENDER	06/03/29	GLG

CH2M HILL
 Frederickson Cooper ARCHITECTS

EarthTech
 A Tech International Ltd. Company

DESIGNED BY: KAS
 CHECKED BY: SMB
 DRAWN BY: LAE
 APPROVED BY: AHL
 SCALE: NONE
 RELEASED FOR CONSTRUCTION BY: R. SOROKOWSKI
 DATE: 2005/02/16
 DATE: 2006/03/29

ENGINEER'S SEAL
 ORIGINAL SIGNED BY
 S.M. BREESE
 2006/03/29
 CONSULTANT DRAWING NO.
 WP-P0009

THE CITY OF WINNIPEG
 WATER AND WASTE DEPARTMENT
 ENGINEERING DIVISION

WATER TREATMENT PLANT
 FLOCCULATION AND DAF
 MECHANICAL AND ELECTRICAL

PROCESS
 FLOCCULATION/DAF TANK 6
 PROCESS AND INSTRUMENTATION DIAGRAM

CITY FILE NUMBER
 SHEET OF
 CITY DRAWING NUMBER
 1-0601P-G-P0009-001-01D