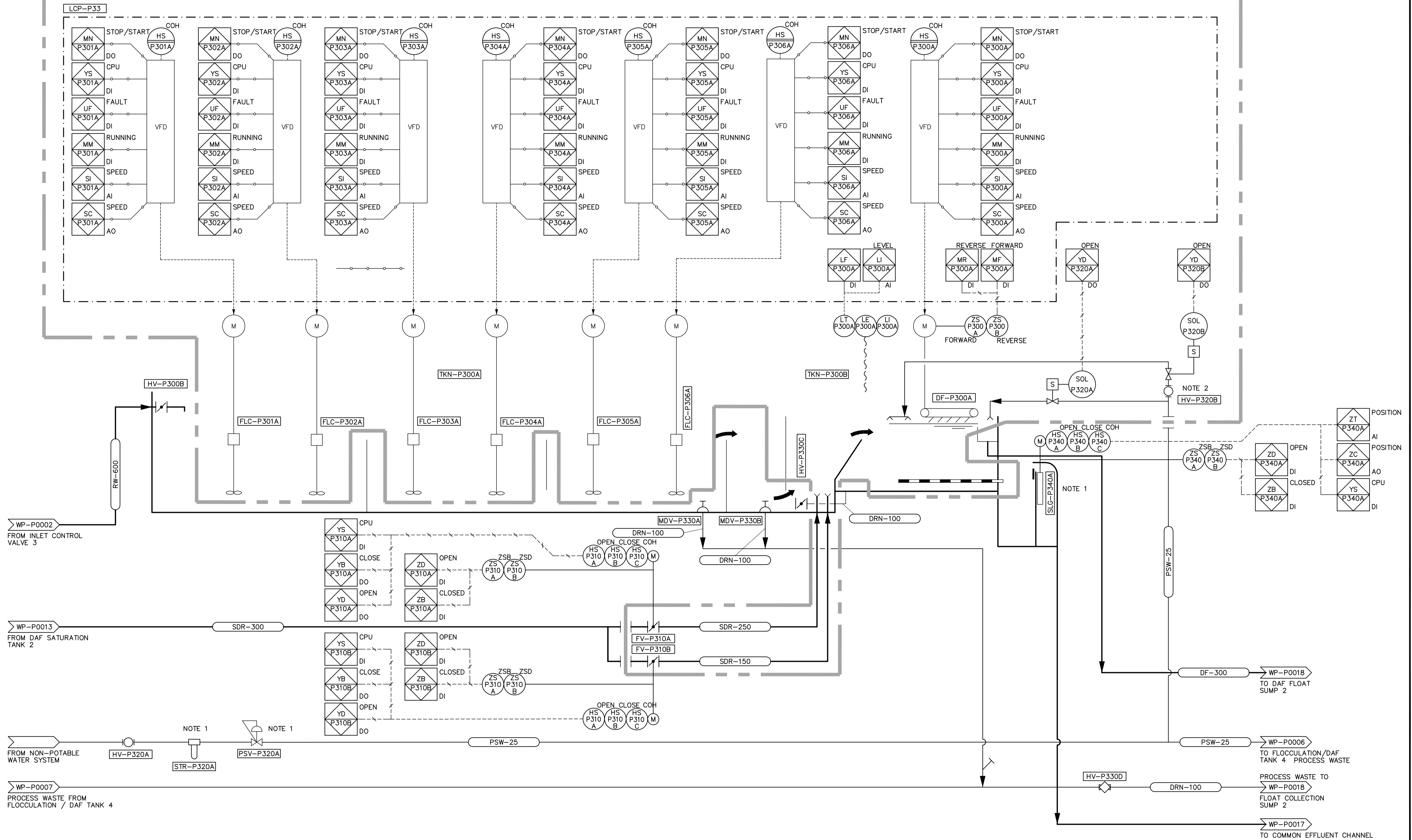


SUPPLY CONTRACTOR PACKAGE



- NOTES:
1. GATE, STRAINER, PRESSURE REGULATOR ARE PART OF VENDOR PACKAGE.
 2. BALL VALVE NOT PART OF LEOPOLD'S SCOPE OF SUPPLY.



B.M. ELEV.			
01	ISSUED FOR CONSTRUCTION	06/07/28	JBC
00	ISSUED FOR TENDER	06/03/29	GLG
NO.	REVISIONS	DATE	BY

CH2MHILL
Frederickson Cooper ARCHITECTS

EarthTech
A Tyco International Ltd. Company

DESIGNED BY	KAS	CHECKED BY	SMB
DRAWN BY	LAE	APPROVED BY	AHL
SCALE:	NONE	RELEASED FOR CONSTRUCTION BY:	R. SOROKOWSKI
DATE	2005/02/16	DATE	2006/03/29

ENGINEER'S SEAL

ORIGINAL SIGNED BY
S.M. BREESE
2006/03/29

CONSULTANT DRAWING NO.
WP-P0006

THE CITY OF WINNIPEG
WATER AND WASTE DEPARTMENT
ENGINEERING DIVISION

WATER TREATMENT PLANT
FLOCCULATION AND DAF
MECHANICAL AND ELECTRICAL

PROCESS
FLOCCULATION/DAF TANK 3
PROCESS AND INSTRUMENTATION DIAGRAM

CITY FILE NUMBER
SHEET OF
CITY DRAWING NUMBER
1-0601P-G-P0006-001-01D