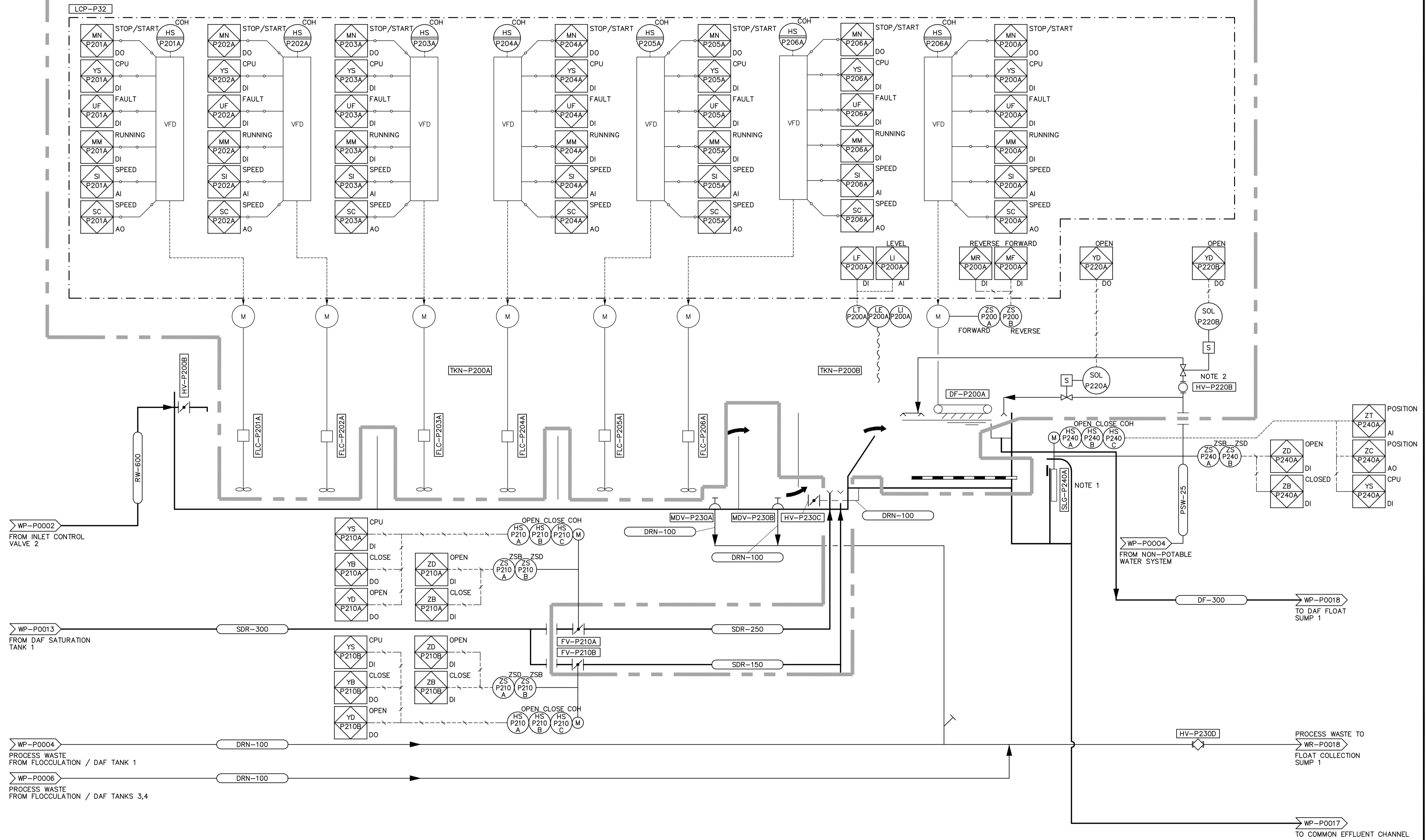


SUPPLY CONTRACTOR PACKAGE



- NOTES:
1. GATE IS PART OF VENDOR PACKAGE.
 2. BALL VALVE NOT PART OF LEOPOLD'S SCOPE OF SUPPLY.

APEGM
 Certificate of Authorization
 Earth Tech Canada Inc.
 No. 730 Expiry: April 30, 2006

B.M. ELEV.			
01	ISSUED FOR CONSTRUCTION	06/07/28	JBC
00	ISSUED FOR TENDER	06/03/29	GLG
NO.	REVISIONS	DATE	BY

CH2M HILL
 Frederickson Cooper ARCHITECTS
EarthTech
 A Tech International Ltd. Company

DESIGNED BY	KAS	CHECKED BY	SMB
DRAWN BY	LAE	APPROVED BY	AHL
SCALE:	NONE	RELEASED FOR CONSTRUCTION BY:	R. SOROKOWSKI
DATE	2005/02/16	DATE	2006/03/29

ENGINEER'S SEAL
 ORIGINAL SIGNED BY
 S.M. BREESE
 2006/03/29
 CONSULTANT DRAWING NO.
 WP-P0005

THE CITY OF WINNIPEG
 WATER AND WASTE DEPARTMENT
 ENGINEERING DIVISION

WATER TREATMENT PLANT
 FLOCCULATION AND DAF
 MECHANICAL AND ELECTRICAL

PROCESS
 FLOCCULATION/DAF TANK 2
 PROCESS AND INSTRUMENTATION DIAGRAM

CITY FILE NUMBER	
SHEET OF	
CITY DRAWING NUMBER	1-0601P-G-P0005-001-01D