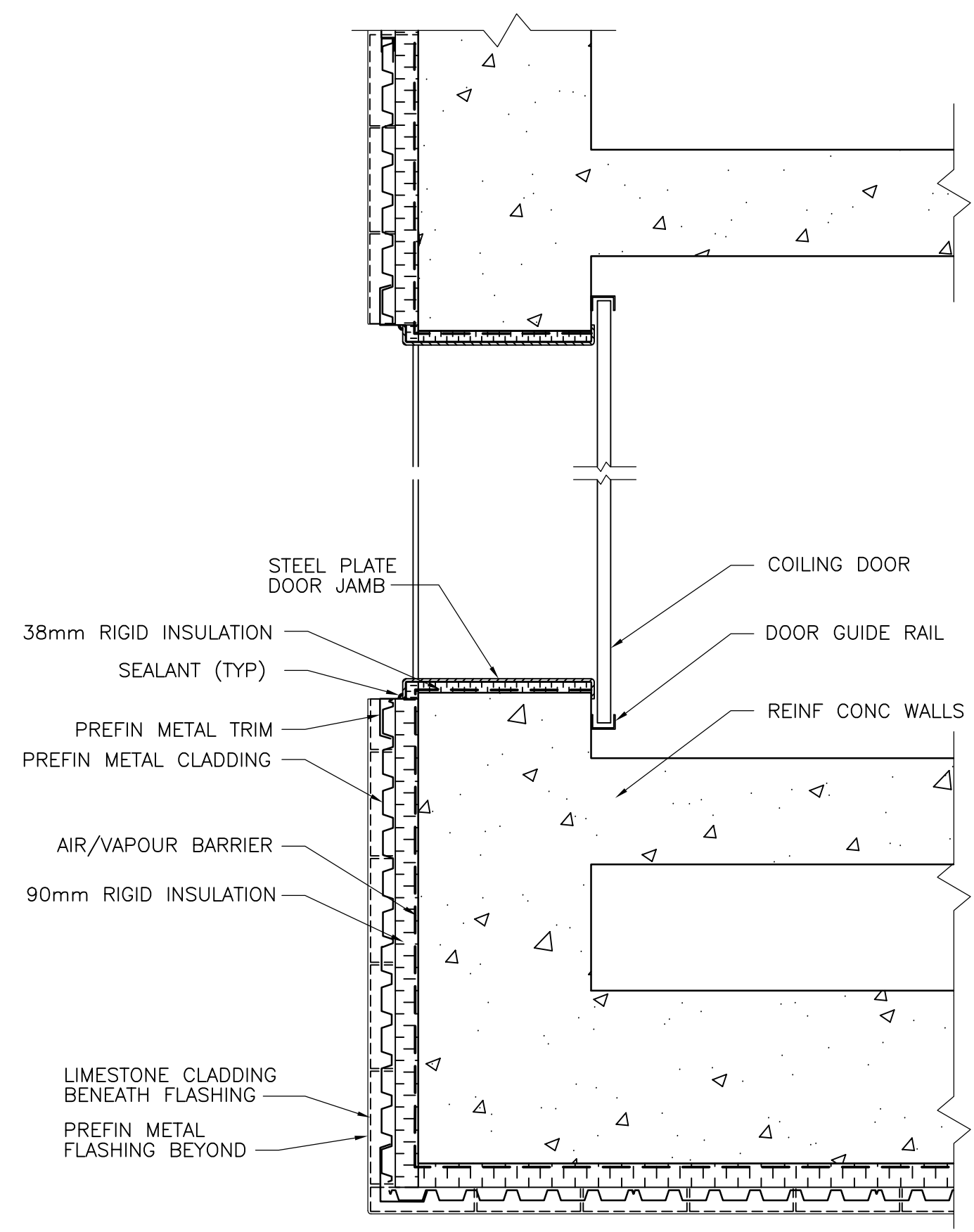
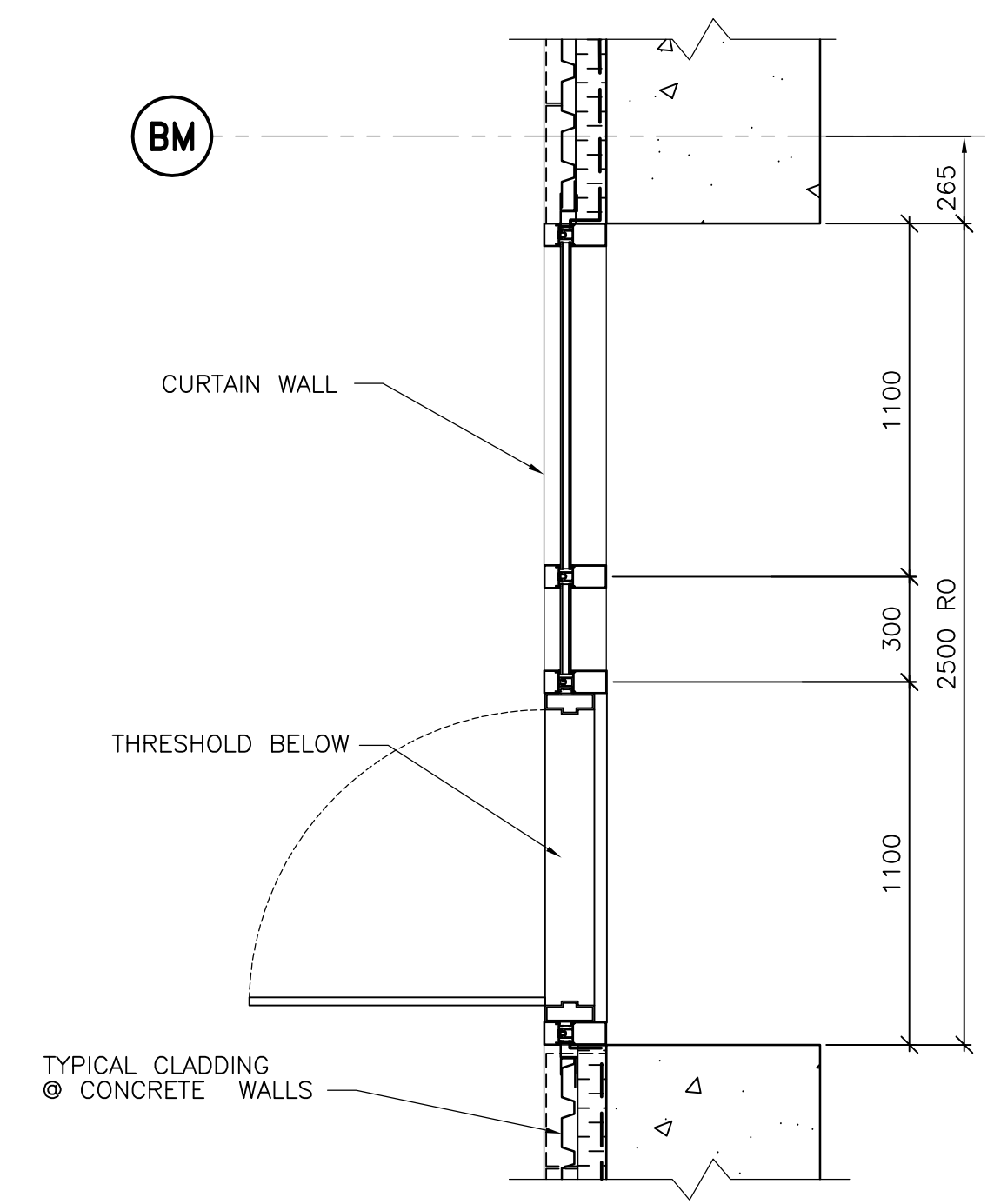


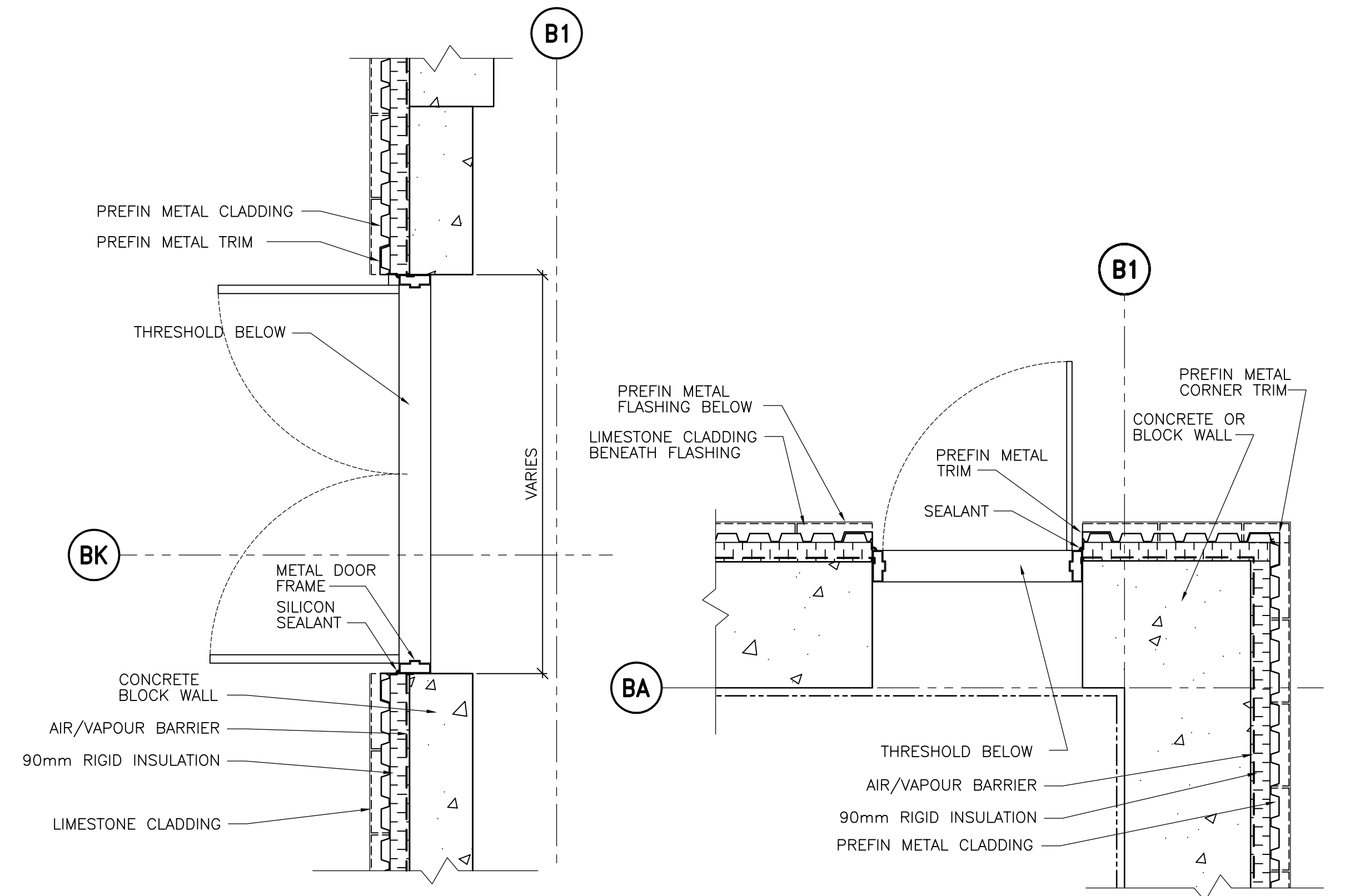
1 DETAIL 1  
WB-B0410 1:20



2 DETAIL 2 (TYP @ OVERHEAD DOOR OPENINGS)  
WB-B0410 1:20

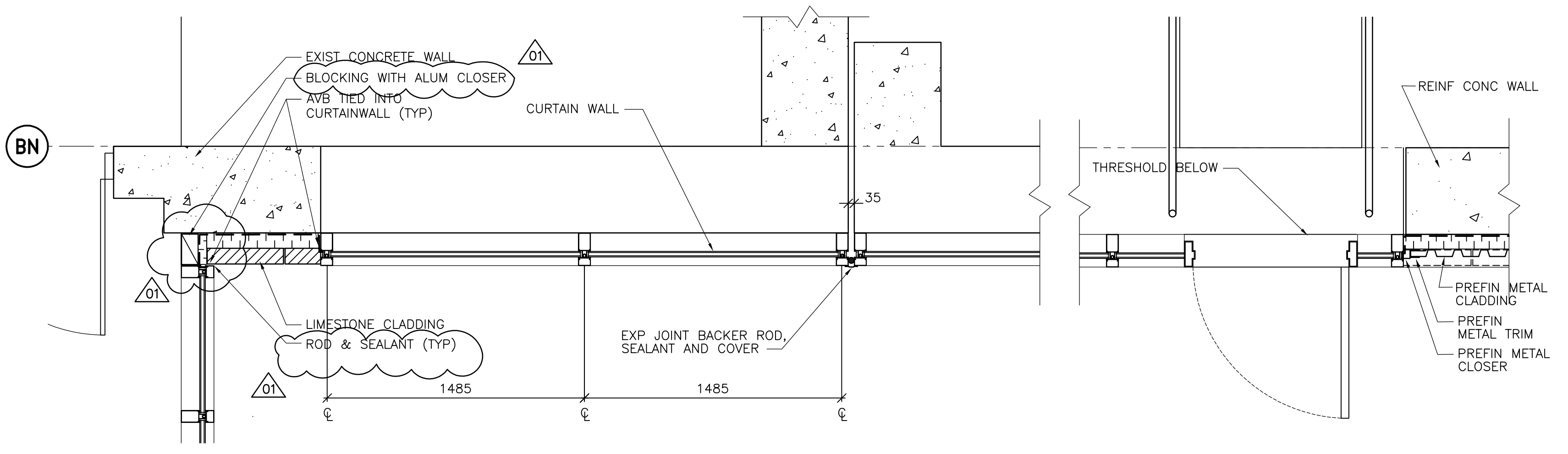


3 DETAIL 3  
WB-B0410 1:20



4 DETAIL 4 (TYP @ DOUBLE MAN DOOR OPENING)  
WB-B0410 1:20

5 DETAIL 5 (TYP @ MAN DOOR OPENINGS)  
WB-B0410 1:20



6 DETAIL 6  
WB-B110 1:20

7 DETAIL 7  
WB-B0410 1:20



NO.	REVISIONS	DATE	BY	DATE	2005/08/03	DATE	2007/03/19
01	793-2006 ADDENDUM 1	07/03/29	LK				
00	ISSUED FOR TENDER	07/03/19	LK				

DESIGNED BY	TWS	CHECKED BY	BJS
DRAWN BY	SH/MR/LK	APPROVED BY	AHL
SCALE:	AS SHOWN	RELEASED FOR CONSTRUCTION BY:	R. SOROKOWSKI

ENGINEER'S SEAL  
ORIGINAL SIGNED BY  
NEIL COOPER  
2007/03/19  
CONSULTANT DRAWING NO.  
WB-B0411

**THE CITY OF WINNIPEG**  
WATER AND WASTE DEPARTMENT  
ENGINEERING DIVISION

WATER TREATMENT PLANT  
MAIN BUILDING  
BUILDING ENVELOPE

ARCHITECTURAL  
DETAIL OF DOOR AND WINDOW OPENINGS  
GROUND FLOOR LEVEL

CITY FILE NUMBER  
SHEET OF  
CITY DRAWING NUMBER  
1-060B-A-B0411-001-01D