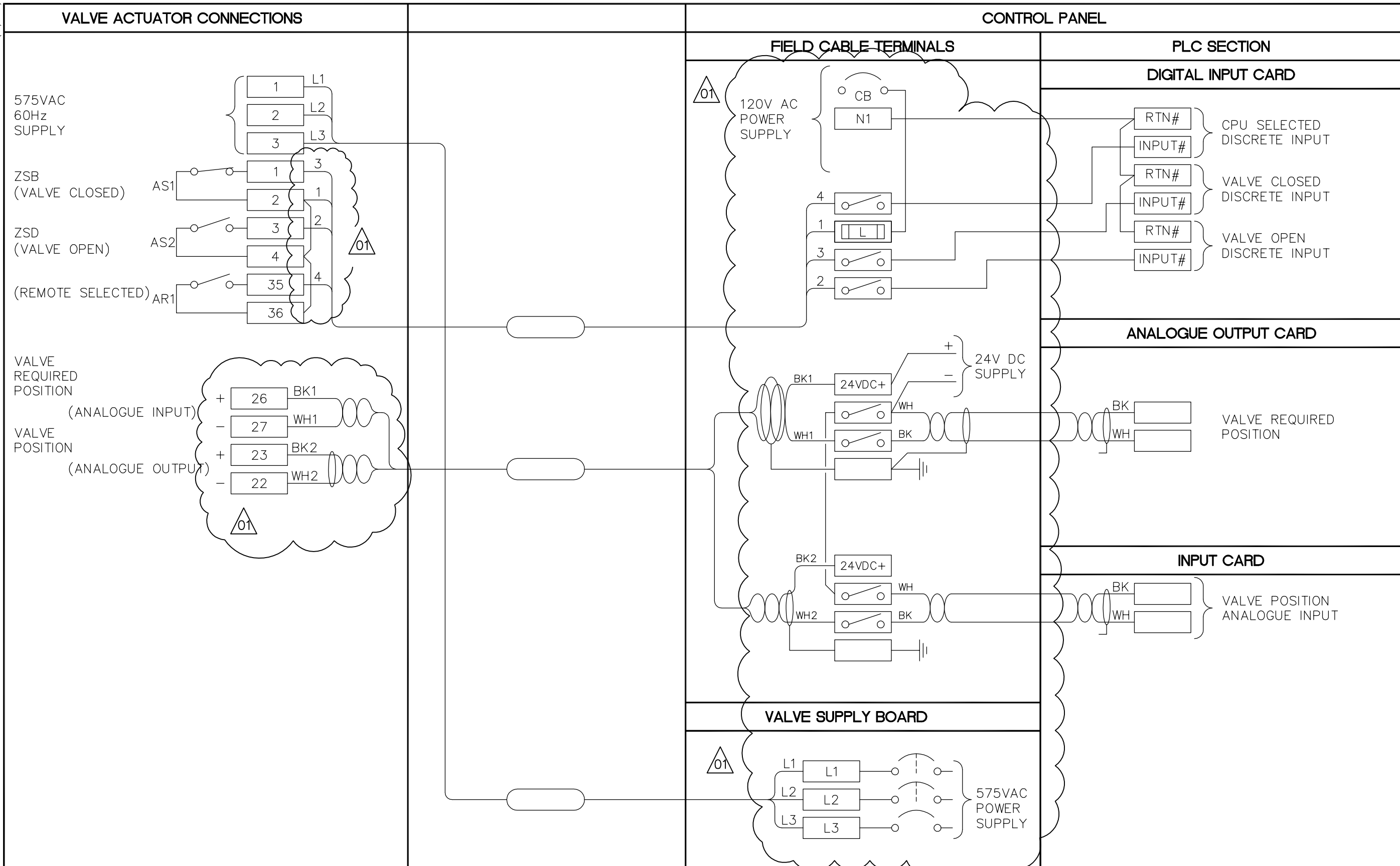


CDW-A3 (02/2006)



**NOTE:**  
1. RELAYS IN ACTUATOR TO BE PROGRAMMED AS ABOVE.



B.M. ELEV.			
01	792-2006 ADDENDUM 5	07/04/11	JBC
00	ISSUED FOR TENDER	07/01/31	LAE
NO.	REVISIONS	DATE	BY

DESIGNED BY	NT	CHECKED BY	SWT
DRAWN BY	LAE	APPROVED BY	AHL
SCALE:	NTS	RELEASED FOR CONSTRUCTION BY:	R. SOROKOWSKI
DATE	2007/01/04	DATE	2007/01/31

ENGINEER'S SEAL  
ORIGINAL SIGNED BY  
S.W. TORMEY  
2007/01/31  
CONSULTANT DRAWING NO.  
WS-A0452

**THE CITY OF WINNIPEG**  
WATER AND WASTE DEPARTMENT  
ENGINEERING DIVISION

WATER TREATMENT PLANT  
BULK CHEMICAL BUILDING  
SODIUM HYPOCHLORITE AND CHEMICAL STORAGE BUILDING

AUTOMATION / I&C  
TYPICAL MOTORIZED VALVE MODULATING  
INSTRUMENTATION LOOP DIAGRAM

CITY FILE NUMBER  
SHEET OF  
CITY DRAWING NUMBER  
1-0601S-H-A0452-001-01B