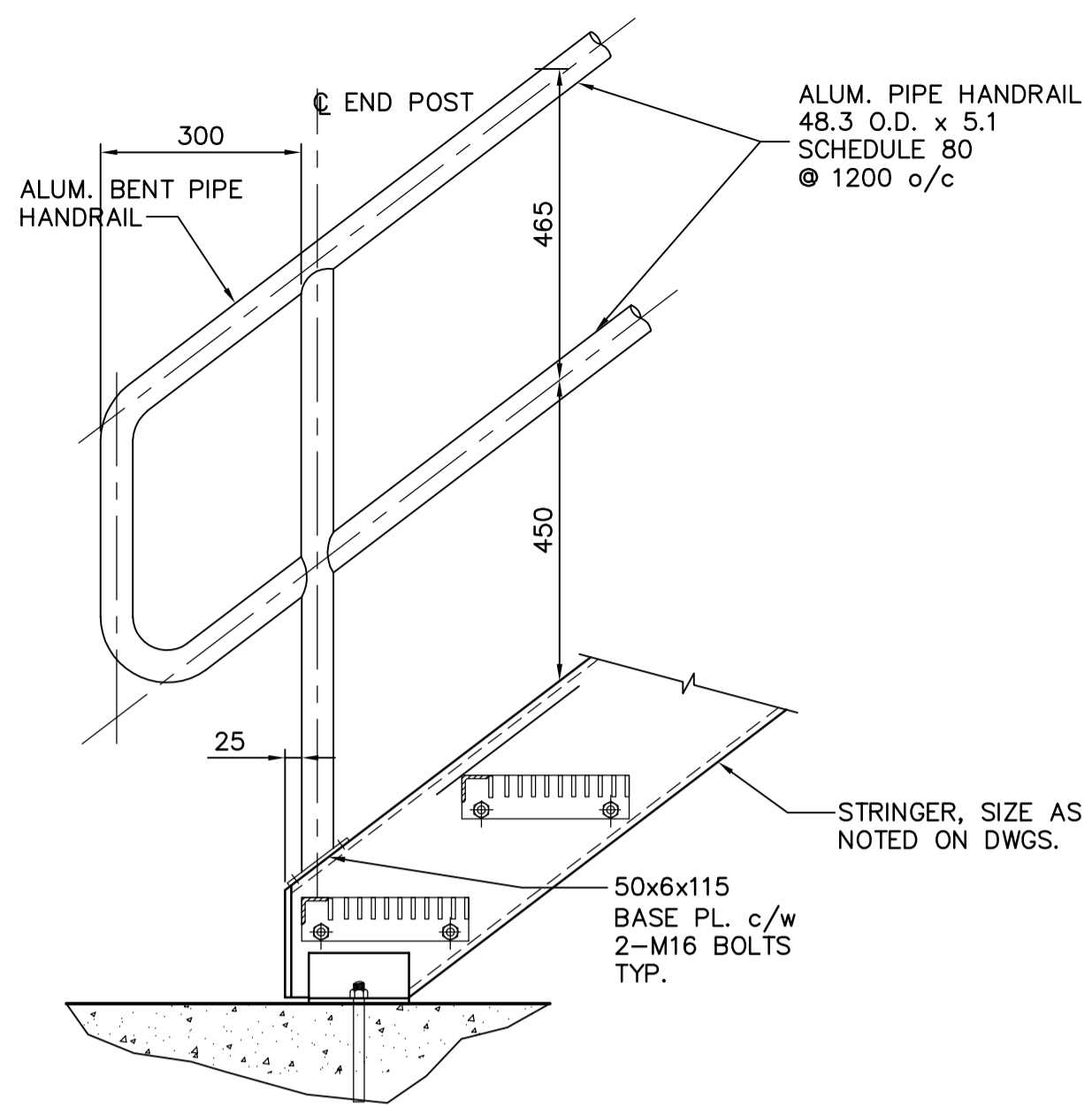
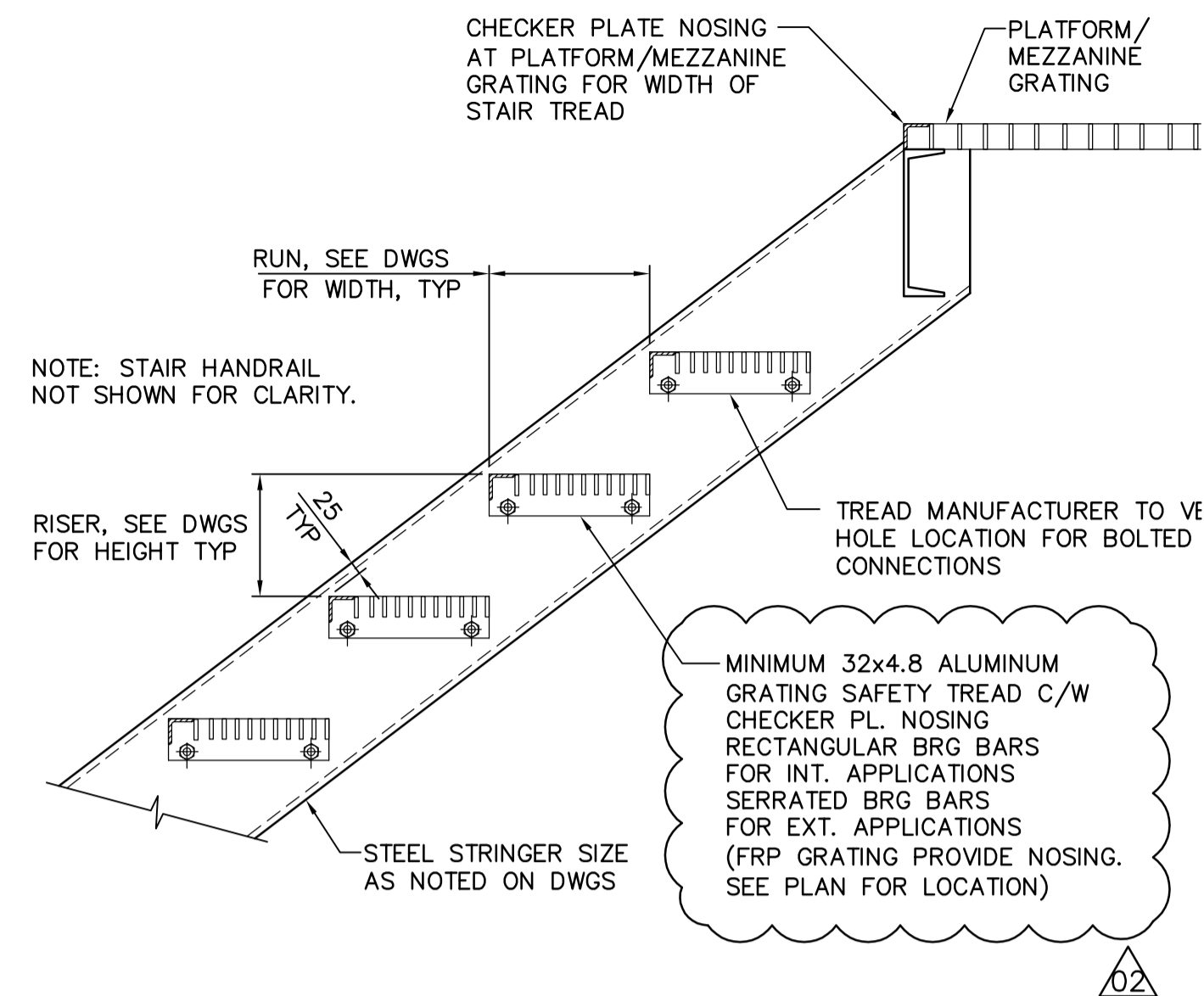


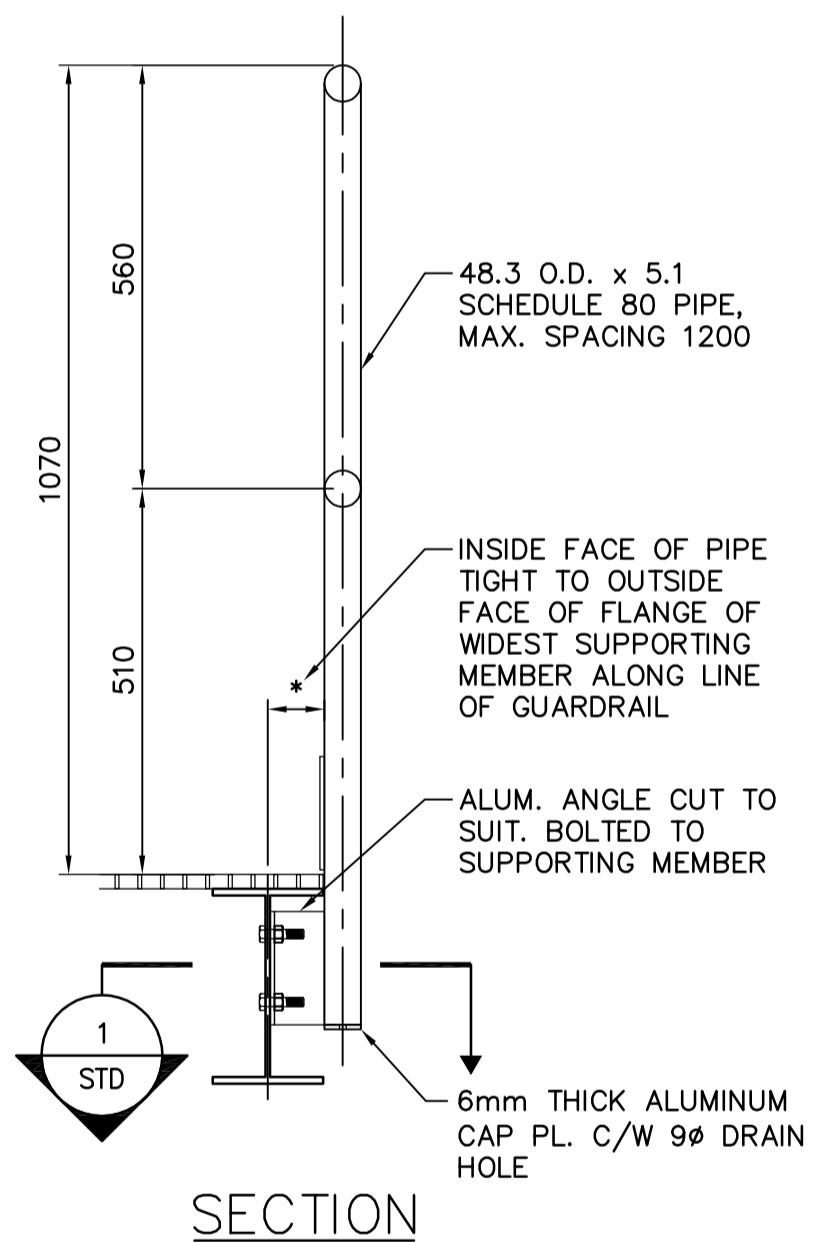
A TYPICAL TRANSITION DETAIL
STD 1:10



B TYPICAL STAIR BASE PLATE & RAILING END DETAIL
STD 1:20

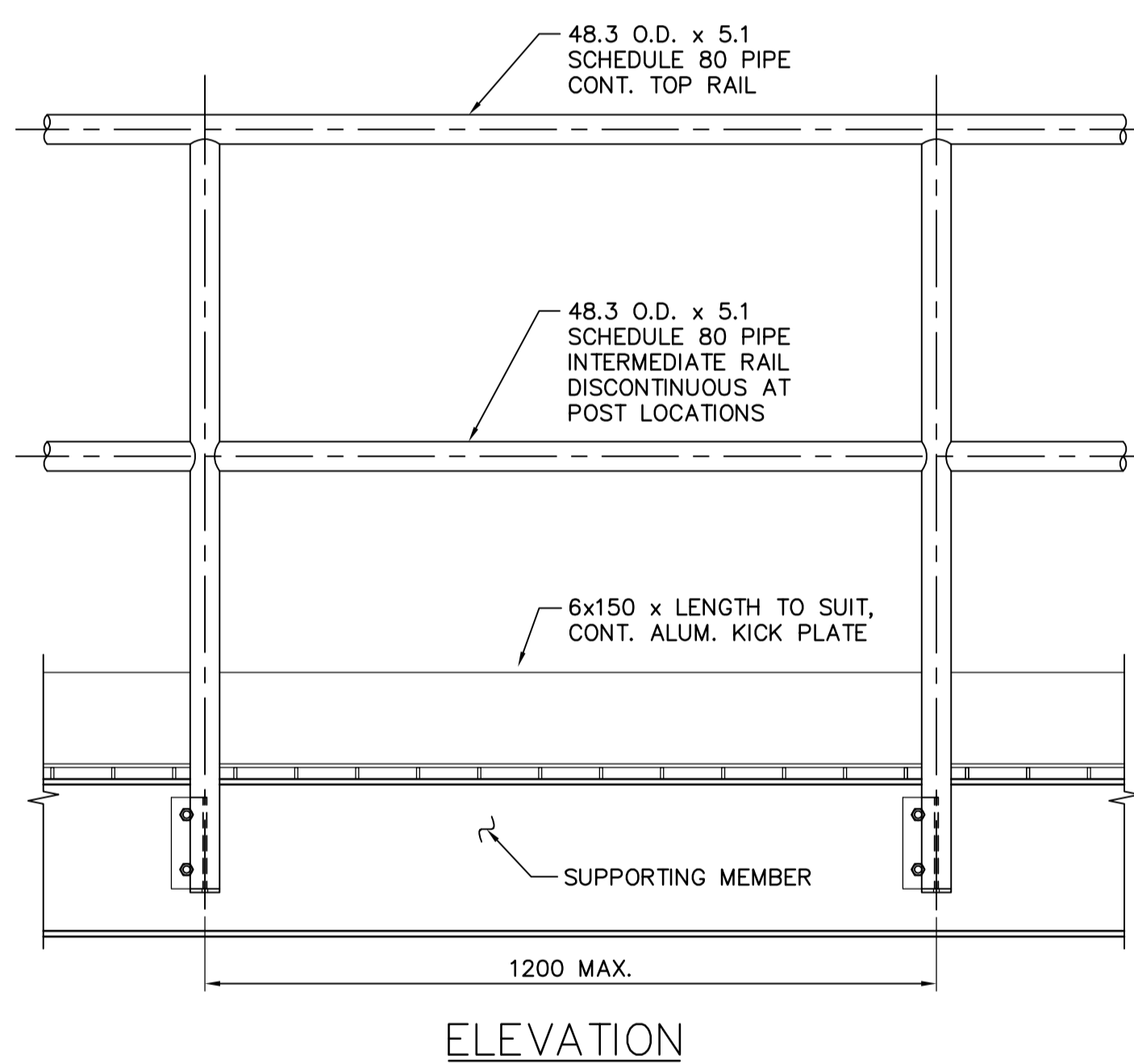


C TYPICAL GRATING STAIR DETAIL
STD 1:20

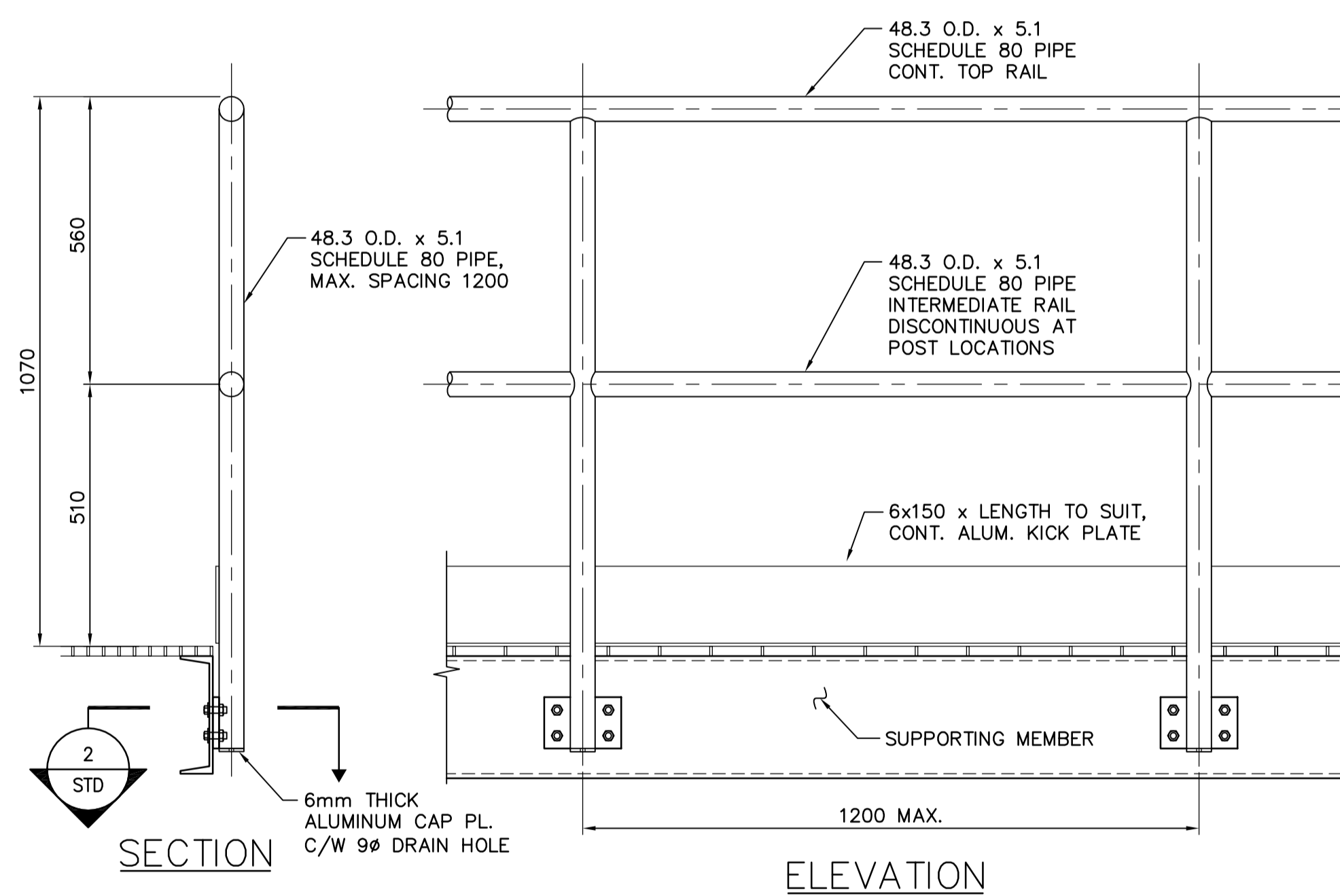


SECTION

1 STD 1:5



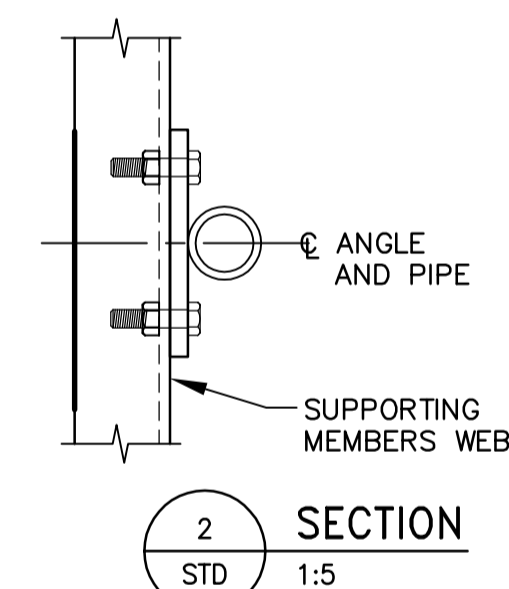
ELEVATION



SECTION

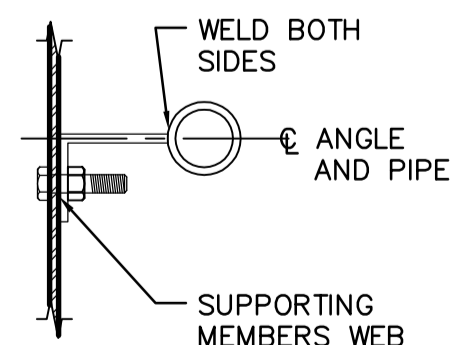
2 STD 1:5

ELEVATION



2 SECTION
STD 1:5

D TYPICAL GUARDRAIL/HANDRAIL DETAILS
STD 1:10



1 SECTION
STD 1:5

- NOTES:
1. PAINT ALL ALUMINUM SURFACES IN CONTACT WITH CONCRETE WITH TWO COATS OF ALKALI-RESISTANT BITUMINOUS PAINT.
 2. ALL GRATING TO BE GALVANIZED STEEL.
 3. ALL STRINGERS, CHANNELS, ANGLES, PLATES AND RAILING TO BE ALUMINUM UNLESS NOTED OTHERWISE.



B.M. ELEV.		 		ENGINEER'S SEAL		 THE CITY OF WINNIPEG WATER AND WASTE DEPARTMENT ENGINEERING DIVISION	
		Frederickson Cooper ARCHITECTS		ORIGINAL SIGNED BY A. POCHANART 2007/01/31		WATER TREATMENT PLANT BULK CHEMICAL BUILDING SODIUM HYPOCHLORITE AND CHEMICAL STORAGE BUILDING	
DESIGNED BY: ARA CHECKED BY: AP DRAWN BY: CMF APPROVED BY: AHL		SCALE: AS NOTED RELEASED FOR CONSTRUCTION BY: R. SOROKOWSKI		CONSULTANT DRAWING NO. WS-S0405		CITY FILE NUMBER SHEET OF CITY DRAWING NUMBER 1-06019-A-S0405-001-02D	
02 792-2006 ADDENDUM 3 07/03/30 WDB 01 792-2006 ADDENDUM 2 07/03/22 WDB 00 ISSUED FOR TENDER 07/01/31 WDB		NO. REVISIONS DATE BY DATE 2006/08/30 DATE 2007/01/31				STRUCTURAL STANDARD DETAILS	