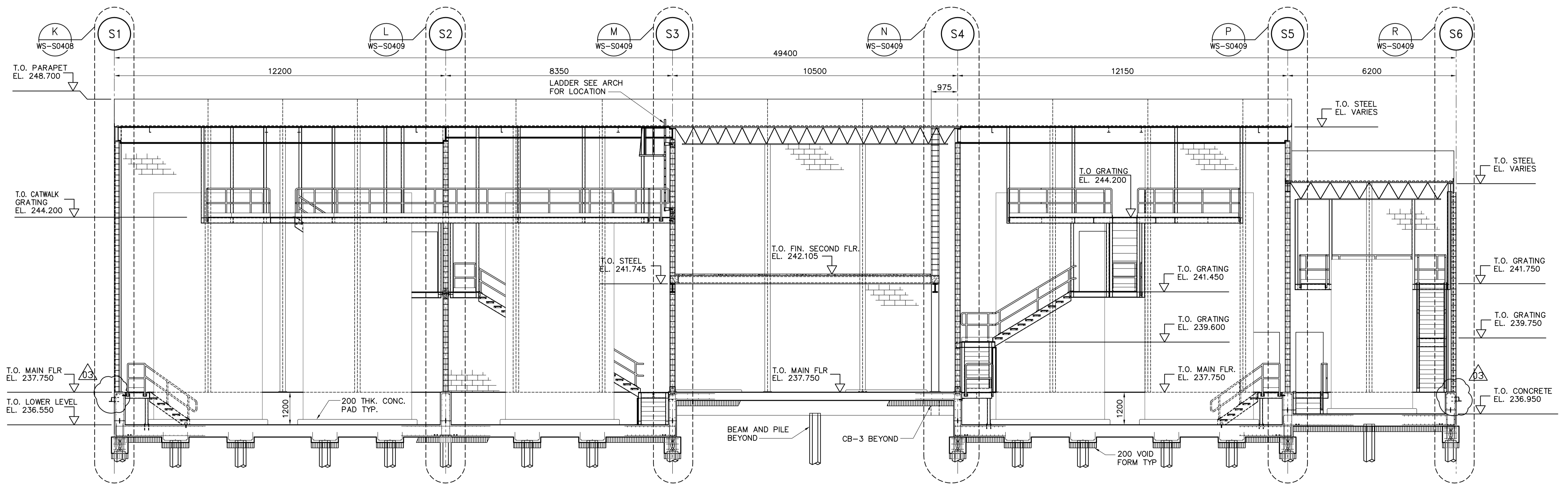
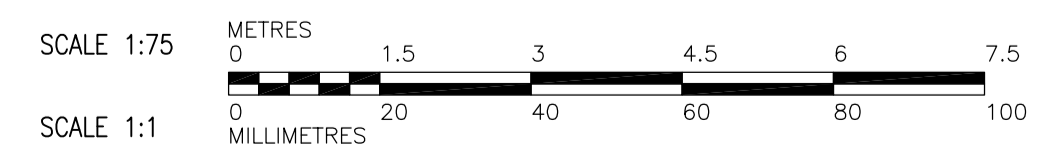


3 SECTION
 WS-S0202 1:75
 WS-F0100, WS-S0100,
 WS-S0110, WS-S0120,
 WS-S0125, WS-S0140

7 SECTION
 WS-S0202 1:75



4 SECTION
 WS-S0202 1:75
 WS-F0100, WS-S0100, WS-S0110,
 WS-S0120, WS-S0125, WS-S0140,
 WS-S0141



B.M. ELEV.		CH2MHILL Frederickson Cooper ARCHITECTS		ENGINEER'S SEAL ORIGINAL SIGNED BY A. POCHANART 2007/01/31		THE CITY OF WINNIPEG WATER AND WASTE DEPARTMENT ENGINEERING DIVISION	
DESIGNED BY	ARA	CHECKED BY	AP	CONSULTANT DRAWING NO. WS-S0202		CITY FILE NUMBER	
DRAWN BY	WDB	APPROVED BY	AHL	2007/01/31		SHEET OF	
SCALE:	AS NOTED	RELEASED FOR CONSTRUCTION BY: R. SOROKOWSKI		2007/01/31		CITY DRAWING NUMBER	
NO. REVISIONS	DATE	BY	DATE	2006/08/30	DATE	2007/01/31	1-06019-A-S0202-001-03D