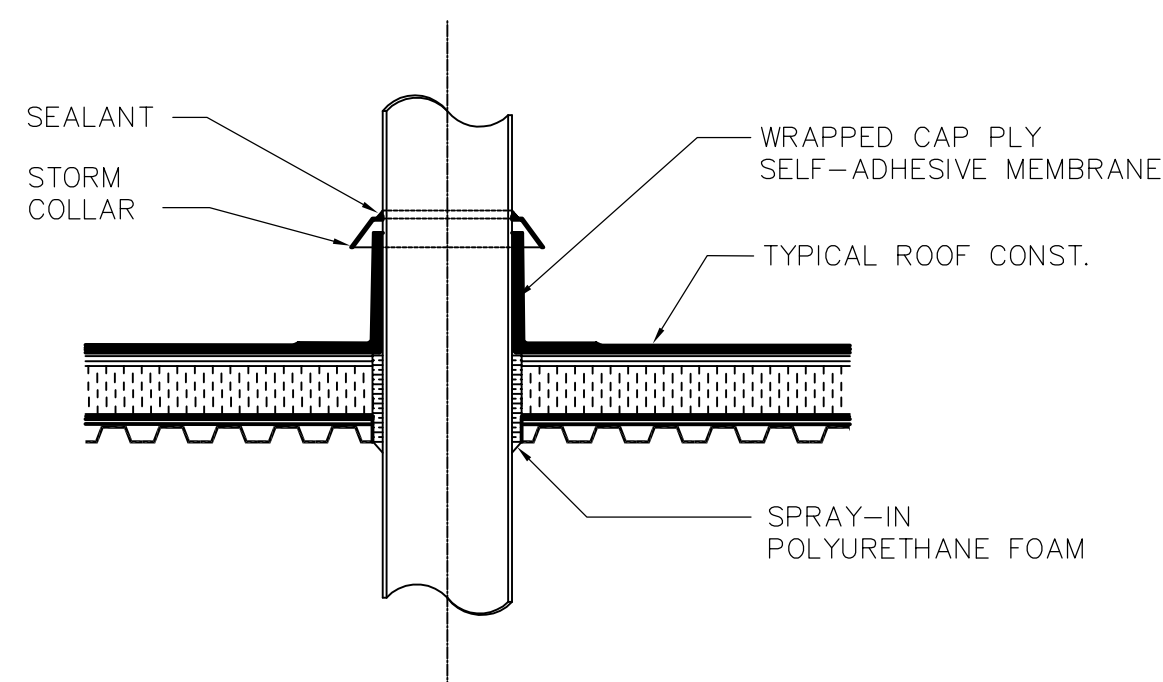
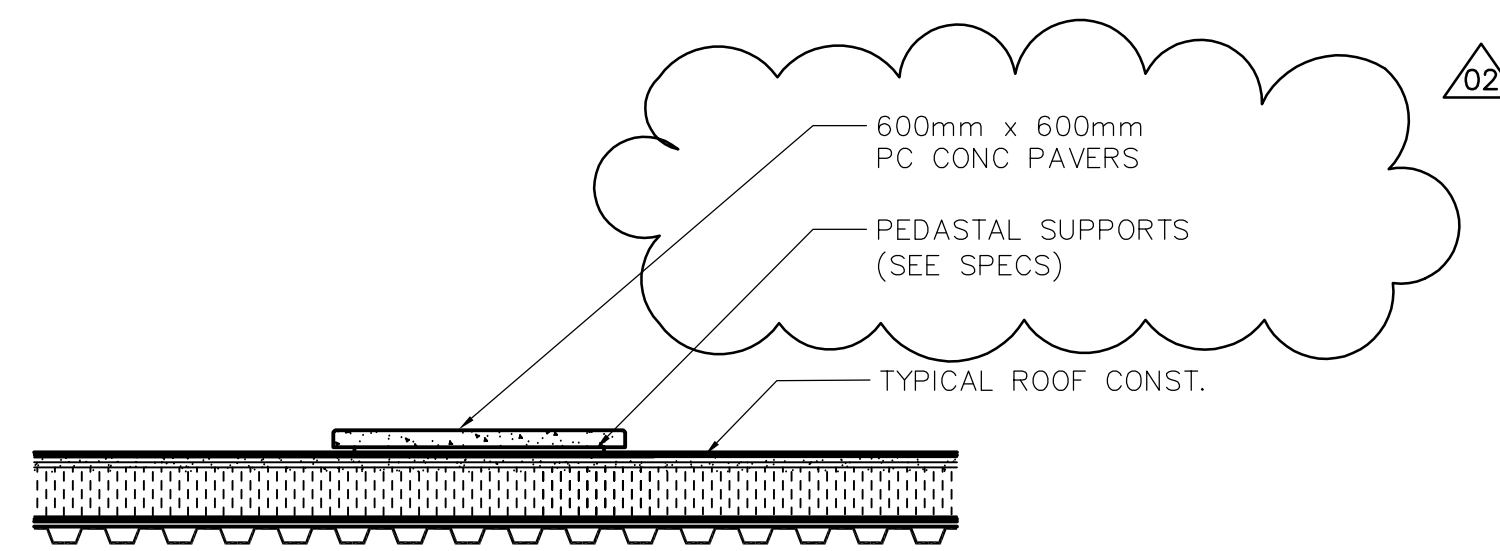


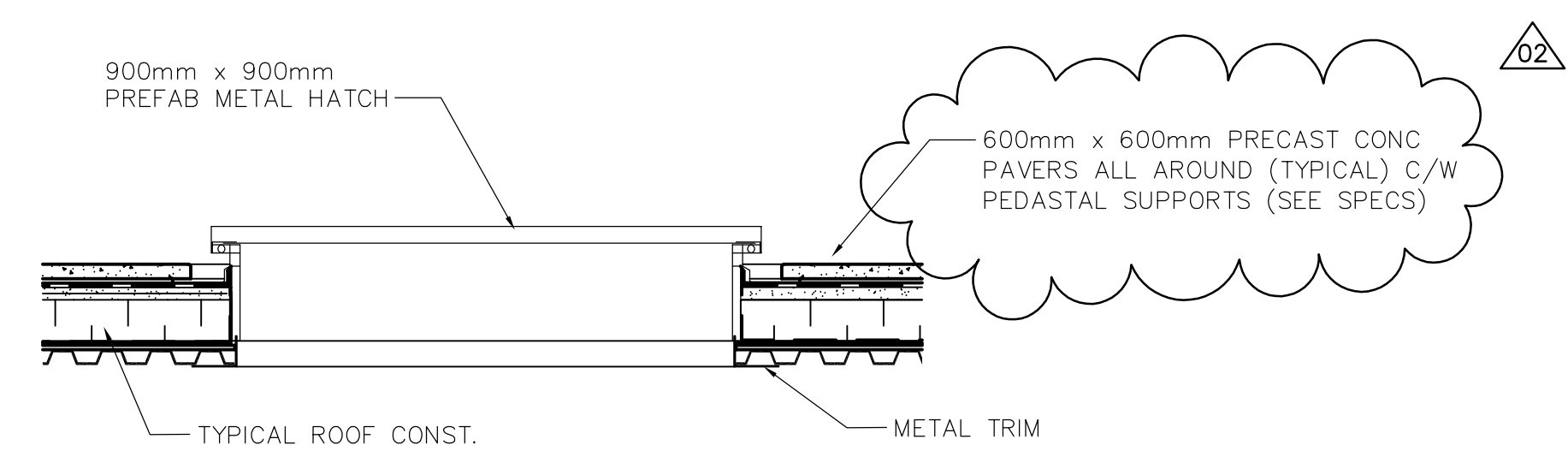
1 LOWER & UPPER ROOF PLAN  
WJ-B0130 1:75



2 ROOF PENETRTION DETAIL  
WJ-B0130 1:20



3 ROOF WALKWAY DETAIL  
WJ-B0130 1:20



4 ROOF HATCH DETAIL  
WJ-B0130 1:20



NO.	REVISIONS	DATE	BY
02	792-2006 ADDENDUM 5	07/04/11	AL
01	792-2006 ADDENDUM 3	07/03/30	AL
00	ISSUED FOR TENDER	07/01/31	AL

DESIGNED BY: NC	CHECKED BY: LK
DRAWN BY: AL	APPROVED BY: AHL
SCALE: AS SHOWN	RELEASED FOR CONSTRUCTION BY: R. SOROKOWSKI
DATE: 2006/10/02	DATE: 2007/01/31

ENGINEER'S SEAL
ORIGINAL SIGNED BY: NEIL COOPER
DATE: 2007/01/31
CONSULTANT DRAWING NO.: WJ-B0130

<b>THE CITY OF WINNIPEG</b> WATER AND WASTE DEPARTMENT ENGINEERING DIVISION	
WATER TREATMENT PLANT SODIUM HYPOCHLORITE GENERATION BUILDING SODIUM HYPOCHLORITE AND CHEMICAL STORAGE BUILDING	
CITY FILE NUMBER	SHEET OF
CITY DRAWING NUMBER	1-0601J-A-B0130-001-020