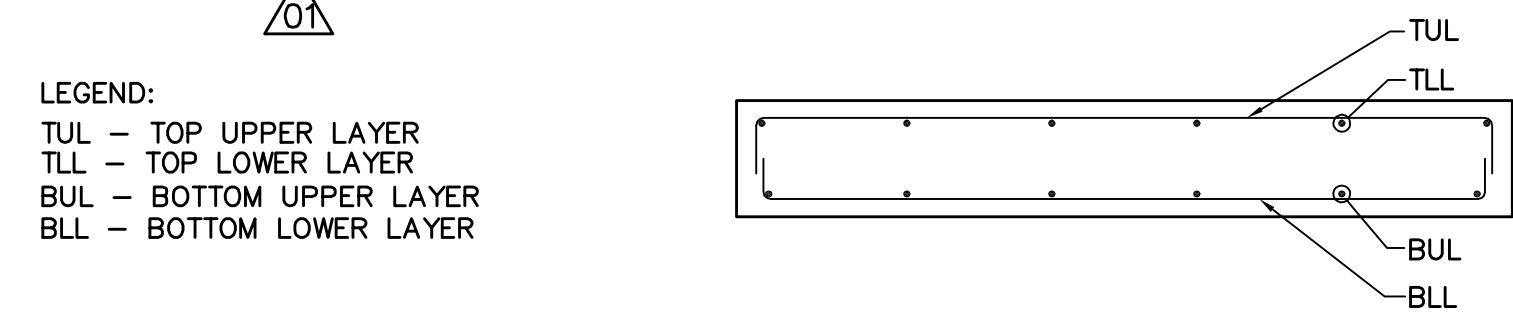


CONCRETE SLAB SCHEDULE					
MARK	DEPTH	REINFORCING			REMARKS
		TOP	BOTTOM	ADDITIONAL	
SL-1	150	-	15M @ 300 E.W.	15M PERIMETER DOWELS @ 300 E.W.	SLAB-ON-GRADE. REINF. @ SLAB MID-DEPTH
SL-2	250	15M @ 300 TUL 15M @ 300 TLL	15M @ 300 BUL 15M @ 300 BLL	-	
SL-3	300	15M @ 300 TUL 15M @ 300 TLL	15M @ 300 BUL 15M @ 300 BLL	2-20M @ 100 BOTT EACH SIDE OF BEAM	SEE PLAN FOR ADDITIONAL TOP REINFORCING
SL-4	450	20M @ 300 E.W.	20M @ 300 E.W.	2-20M @ 100 BOTT EACH SIDE OF BEAM	SEE PLAN FOR ADDITIONAL TOP REINFORCING



CONCRETE BEAM SCHEDULE							
MARK	WIDTH	DEPTH	REINFORCING				REMARKS
			TOP	MIDDLE	BOTTOM	STIRRUPS	
CB-1	350	600	3-20M	-	3-20M	10M @ 300	
CB-2	300	750	3-25M	-	3-25M	15M @ 200	
CB-3	300	750	3-25M	-	3-25M	15M @ 200	EXTEND TOP BARS 1000 INTO SLAB BEYOND AT EACH BEAM END.
CB-4	300	750	3-25M	-	5-25M	15M @ 200	290Wx200H CONC. UPSTAND r/w 2-15M TOP AND 10M @ 300 o/c
CB-5	350	900	3-20M	3-15M E.F.	3-20M	10M @ 300	190Wx200H CONC. UPSTAND r/w 2-15M TOP AND 10M @ 300 o/c
CB-6	300	1650	2-20M	15M @ 200 E.F.	2-20M	15M @ 300	190Wx200H CONC. UPSTAND r/w 2-15M TOP AND 10M @ 300 o/c
CB-7	400	1650	3-20M	15M @ 200 E.F.	3-20M	15M @ 300	190Wx200H CONC. UPSTAND r/w 2-15M TOP AND 10M @ 300 o/c
CB-8	400	1600	3-20M	15M @ 200 E.F.	3-20M	15M @ 300	190Wx200H CONC. UPSTAND r/w 2-15M TOP AND 10M @ 300 o/c
CB-9	400	1600	3-25M	15M @ 200 E.F.	3-25M	15M @ 300	400Wx125H CONC. UPSTAND. r/w 3-15M TOP, AND 10M @ 300 o/c
CB-10	350	900	3-20M	3-15M E.F.	3-20M	10M @ 300	350Wx425H CONC. UPSTAND. r/w 2-20M TOP, 1-15M MID. E.F. AND 10M @ 300 o/c

MASONRY LINTEL BEAM SCHEDULE			
MARK	SIZE	MATERIALS	REMARKS
L-1	190 CMU		SEE STANDARD DETAILS WS-S0404
L-2	190 CMU		SEE STANDARD DETAILS WS-S0404

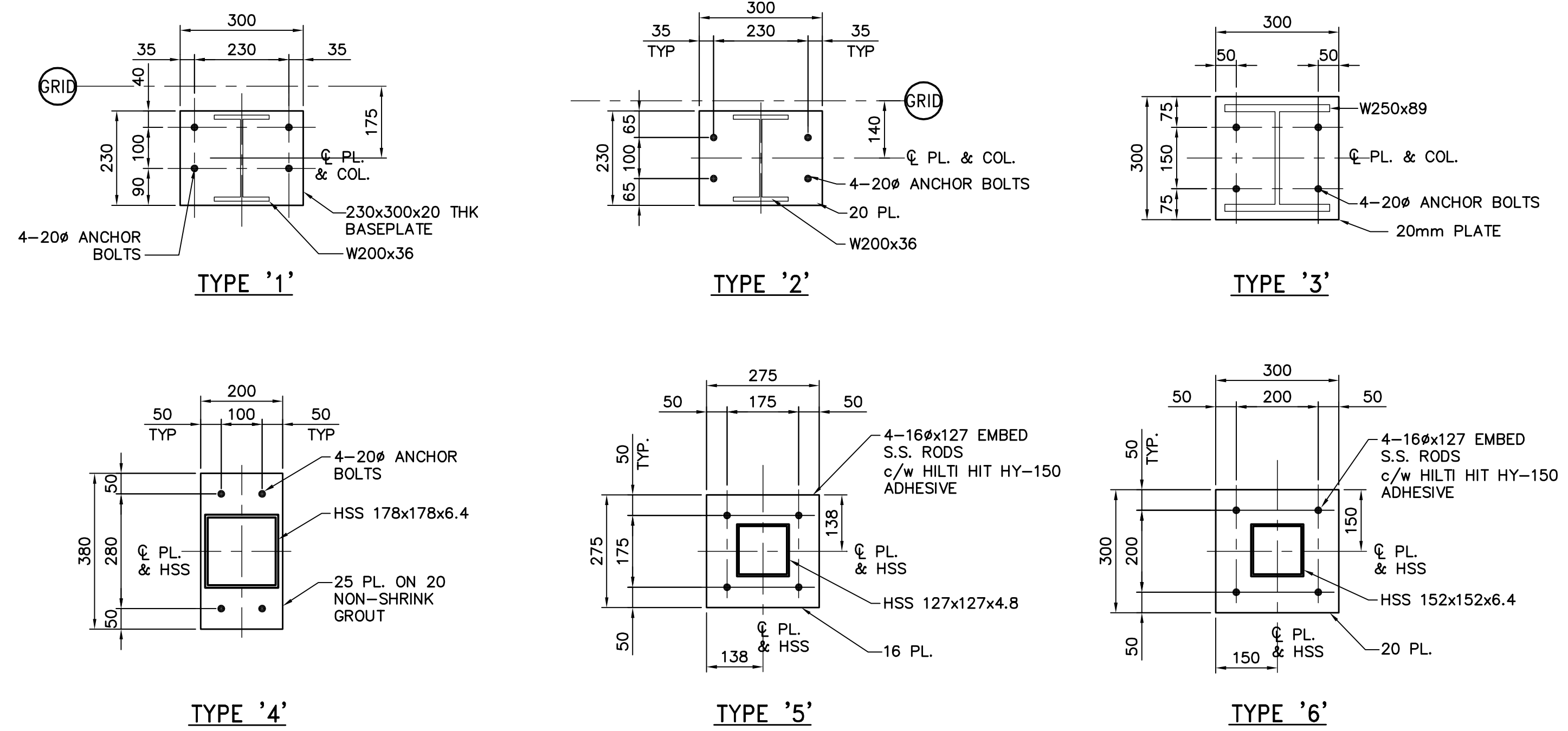
STEEL JOIST SCHEDULE			
MARK	DEPTH	FINISH	REMARKS
J-1	650	PAINTED SEE SPEC.	EQUALLY SPACED UNLESS OTHERWISE NOTED
J-2	600	PAINTED SEE SPEC.	EQUALLY SPACED UNLESS OTHERWISE NOTED
J-3	450	PAINTED SEE SPEC.	EQUALLY SPACED UNLESS OTHERWISE NOTED
J-4	550	PAINTED SEE SPEC.	EQUALLY SPACED UNLESS OTHERWISE NOTED

STEEL COLUMN SCHEDULE					
MARK	SIZE	BASE PLATE TYPE	U/S BASE PLATE EL.	FINISH	REMARKS
SC-1	W200x36	TYPE '1'	SEE PLAN/DETAIL	PAINTED	
SC-2	W200x36	TYPE '2'	SEE PLAN/DETAIL	PAINTED	
SC-3	W250x89	TYPE '3'	SEE PLAN/DETAIL	PAINTED	
SC-4	HSS 178x178x6.4	TYPE '4'	SEE PLAN/DETAIL	PAINTED	
SC-5	HSS 127x127x4.8	TYPE '5'	SEE PLAN/DETAIL	PAINTED	
SC-6	HSS 152x152x6.4	TYPE '6'	SEE PLAN/DETAIL	PAINTED	

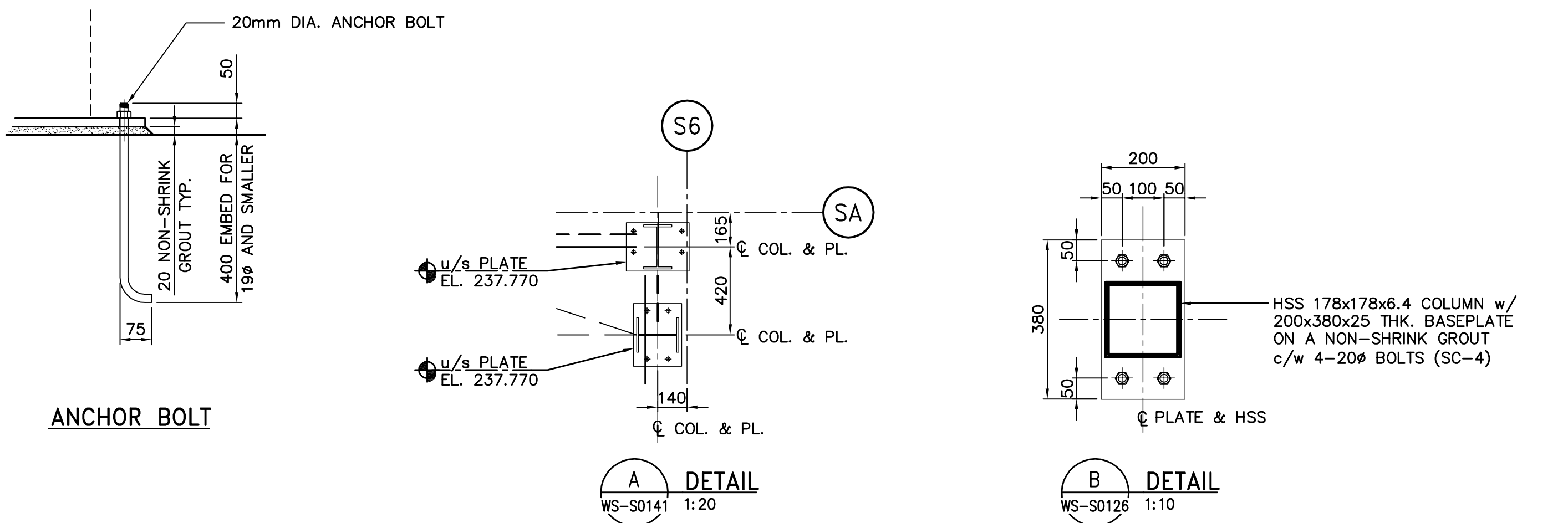
MASONRY WALL SCHEDULE			
MARK	SIZE	MATERIAL	REMARKS
190 CMU	190	SEE ARCH. PLAN	FOR EACH WALL PANEL, GROUT END CORES AND EVERY THIRD CORE PROVIDE BOND BEAMS AT EVERY 12TH COURSE. USE 15M FOR 190 CMU AND 20M FOR 290 CMU.
290 CMU	290		



TYPICAL BASE PLATE DETAILS



- BASEPLATE NOTES:
- U/S OF BASEPLATE AT TYPICAL UNLESS NOTED ELEV. 237.770
  - U/S OF BASEPLATE AT UPSTAND IS ELEV. 237.970
  - U/S OF BASEPLATE AT CONTAINMENT PIT (LOWER LEVEL) ELEV. 236.570
  - U/S OF BASEPLATE AT CONTAINMENT PIT (LOWER LEVEL AQUA AMMONIA) ELEV. 236.970



B.M. ELEV.	CH2M HILL Frederickson Cooper ARCHITECTS	EarthTech A Tyco International Ltd. Company	ENGINEER'S SEAL ORIGINAL SIGNED BY A. POCHANART 2007/01/31	THE CITY OF WINNIPEG WATER AND WASTE DEPARTMENT Winnipeg ENGINEERING DIVISION
DESIGNED BY: ARA	CHECKED BY: AP	DESIGNED BY: CMF	APPROVED BY: AHL	WATER TREATMENT PLANT BULK CHEMICAL BUILDING SODIUM HYPOCHLORITE AND CHEMICAL STORAGE BUILDING
SCALE: AS NOTED	RELEASED FOR CONSTRUCTION BY: R. SOROKOWSKI	CONSULTANT DRAWING NO. WS-S0501	CITY FILE NUMBER	CITY DRAWING NUMBER
01 792-2006 ADDENDUM 3 07/03/30 WDB	00 ISSUED FOR TENDER 07/01/31 WDB	DATE 2006/08/30	DATE 2007/01/31	1-06018-A-S0501-001-0D