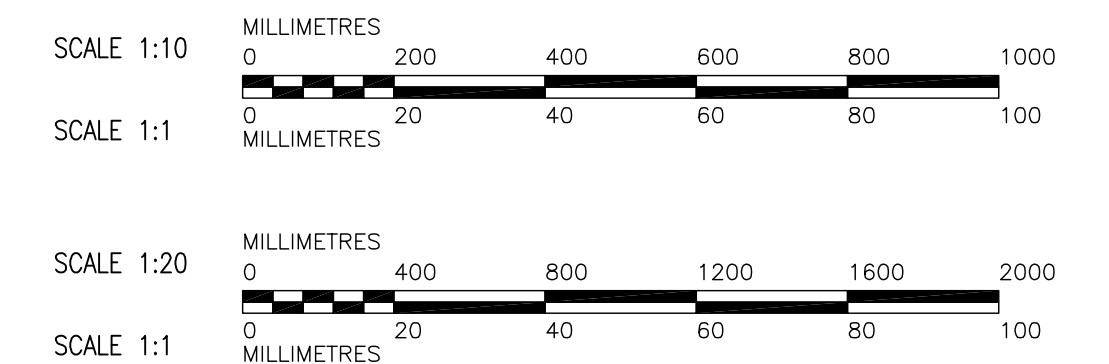
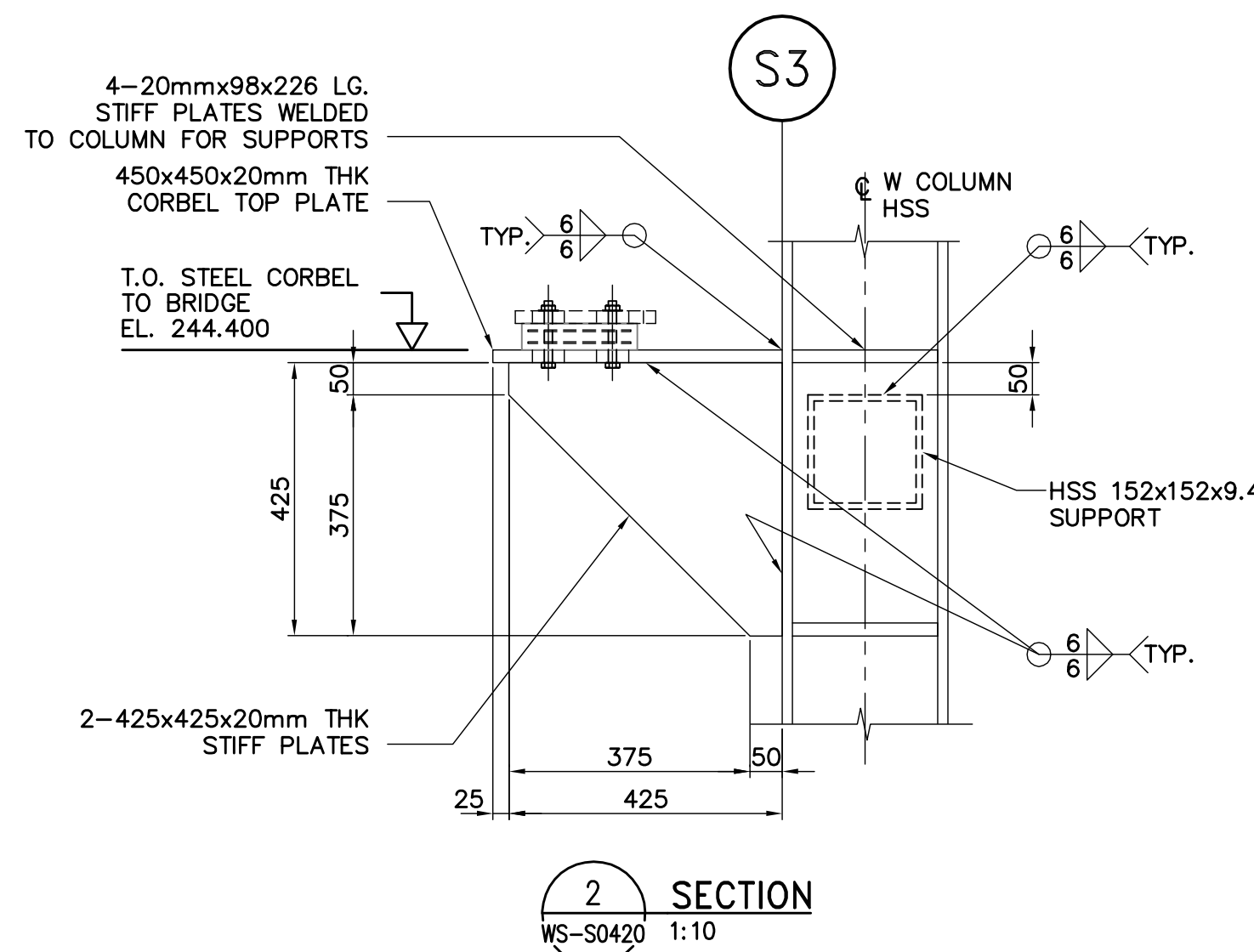
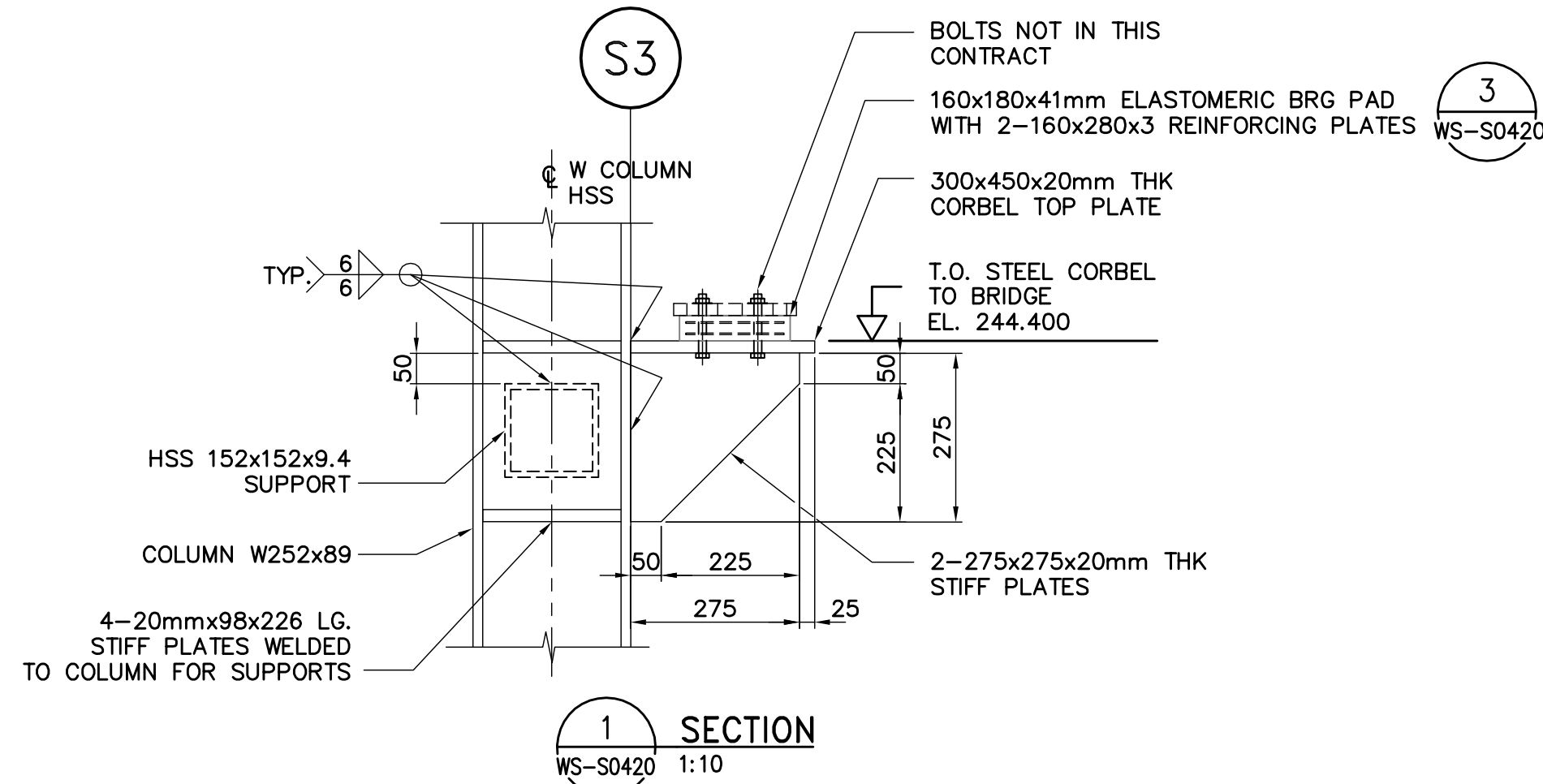


- NOTES:  
 1. FOR ELASTOMER, USE NEOPRENE GRADE 4 OR NATURAL RUBBER GRADE 4 ACCORDING TO AASHTO.  
 2. FOR REINFORCING PLATES, USE 250 MPa (A36) STEEL.



**APECA**  
 Certificate of Authorization  
 Earth Tech Canada Inc.  
 No. 730 Expiry: April 30, 2007

B.M. ELEV.	<b>CH2M HILL</b> Frederickson Cooper ARCHITECTS		<b>EarthTech</b> A Tyco International Ltd. Company	
	DESIGNED BY: ARA	CHECKED BY: AP	ENGINEER'S SEAL ORIGINAL SIGNED BY: A. POCHANART 2007/03/30	
	DRAWN BY: WDB	APPROVED BY: AHL	CONSULTANT DRAWING NO. WS-S0420	
	SCALE: AS NOTED	RELEASED FOR CONSTRUCTION BY: R. SOROKOWSKI		
00	792-2006 ADDENDUM 3	07/03/30	DATE	2007/03/29
NO.	REVISIONS	DATE	DATE	2007/03/30

**THE CITY OF WINNIPEG**  
 WATER AND WASTE DEPARTMENT  
 ENGINEERING DIVISION

WATER TREATMENT PLANT  
 BULK CHEMICAL BUILDING  
 SODIUM HYPOCHLORITE AND CHEMICAL STORAGE BUILDING

STRUCTURAL  
 SKYWAY BRIDGE SUPPORT DETAILS

CITY FILE NUMBER  
 SHEET OF  
 CITY DRAWING NUMBER  
**1-06019-A-80420-001-000**