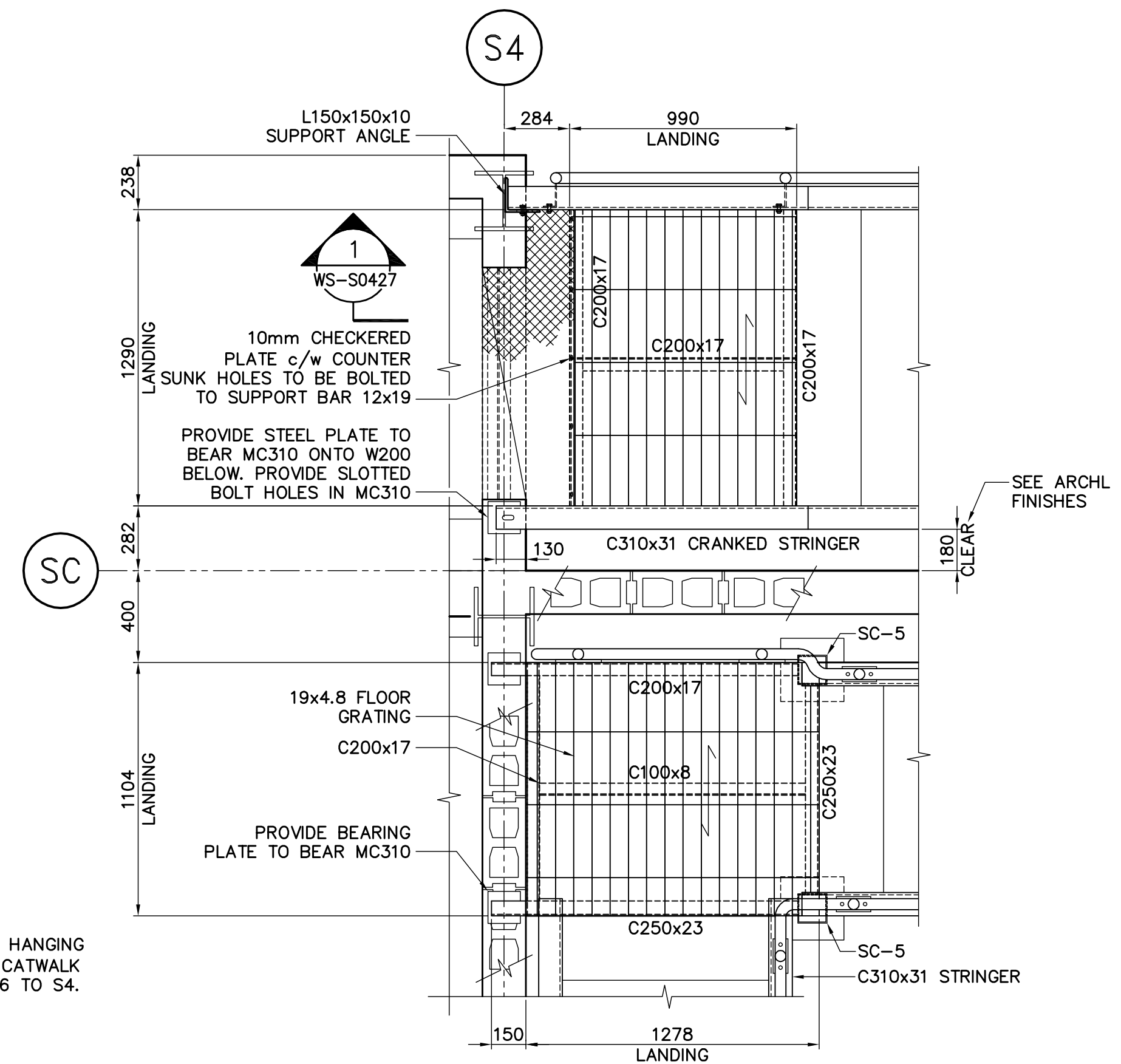


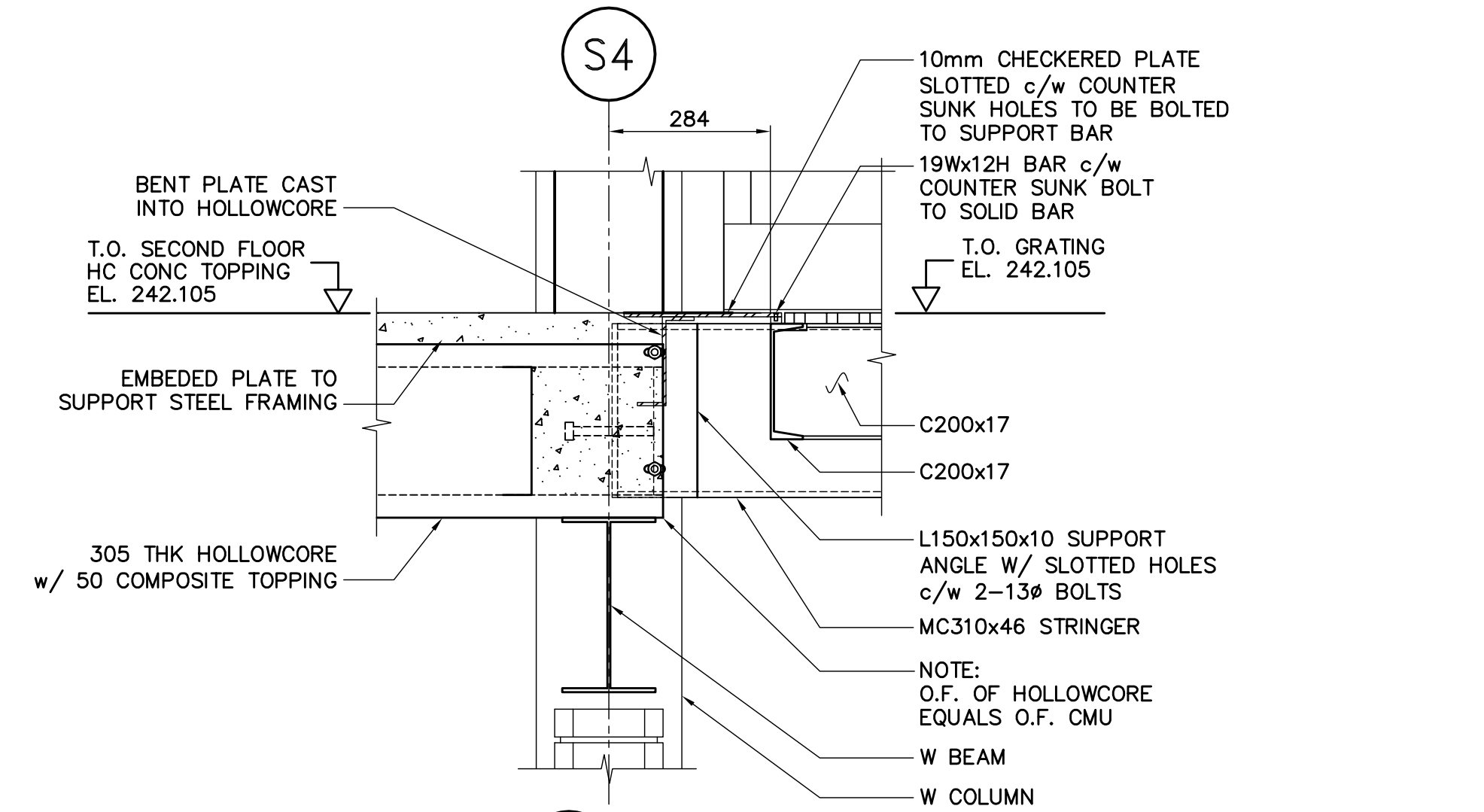
PARTIAL PLAN VIEW - CATWALK # 2
1:50

- DRAWING NOTES:**
- COORDINATE REQUIREMENTS OF CATWALK AND MECHANICAL EQUIPMENT WITH JOIST SUPPLIER.
 - FOR PIPE LOCATION AND PENETRATION SEE MECHANICAL.
 - REFER TO DRAWINGS WS-S0425 TO WS-S0427 FOR STAIR DETAIL.
 - REFER TO WS-S0402 FOR REMOVABLE GUARDRAIL FOR CATWALK.
 - FOR HANGER SUPPORT DETAILS SEE DWG. WS-S0128

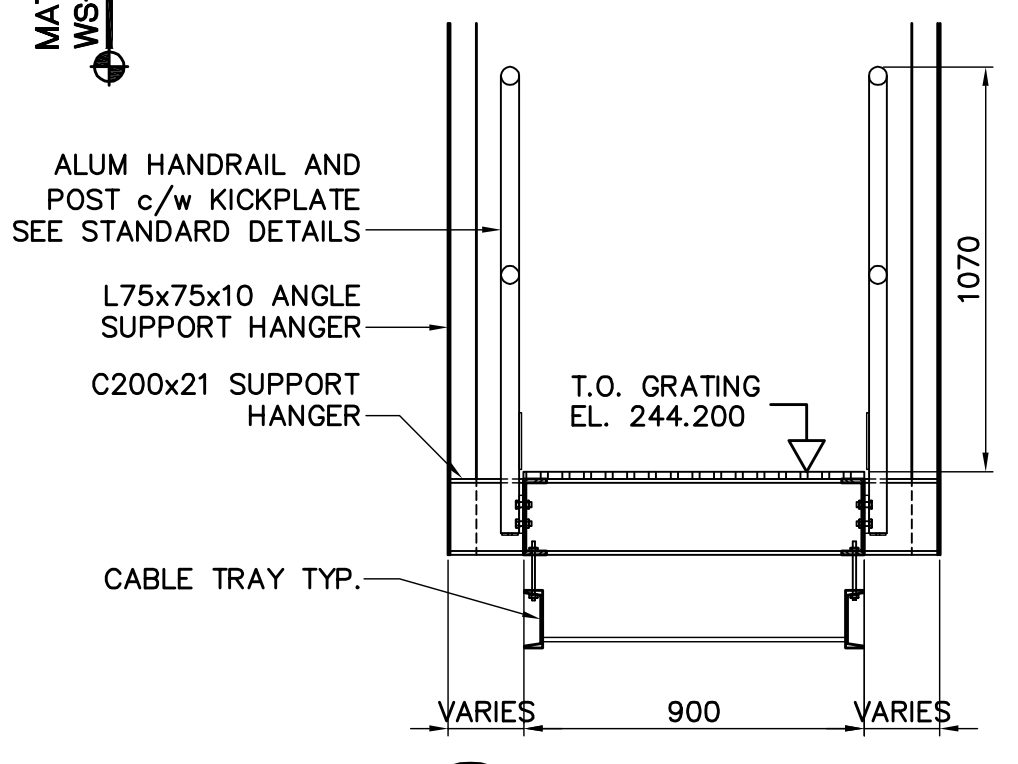
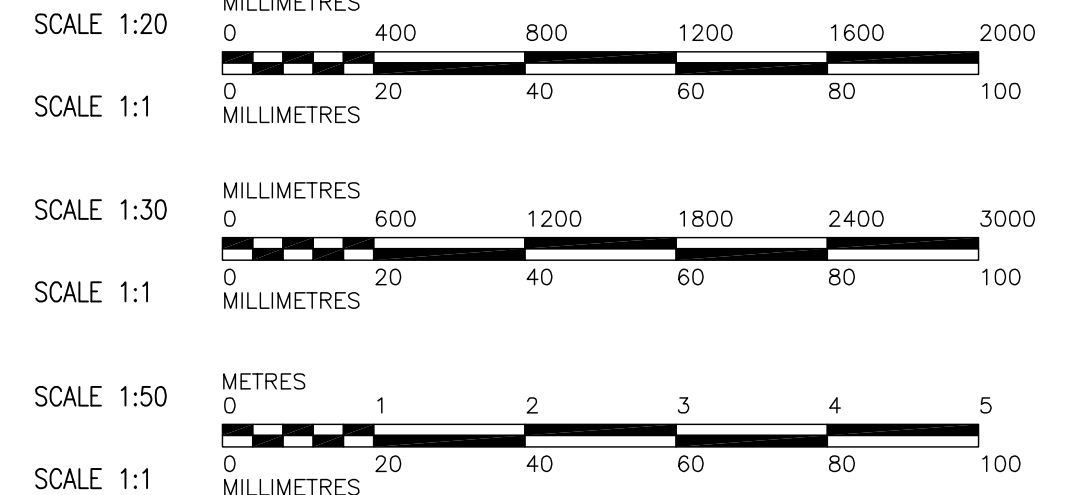
NOTE: ALL STAIR STRINGERS REVISED TO C310x31



DETAIL A
1:20



SECTION 1
1:10



SECTION 7 @ CATWALK
1:30



B.M. ELEV.	CH2M HILL Frederickson Cooper ARCHITECTS		EarthTech A Tyco International Ltd. Company		ENGINEER'S SEAL ORIGINAL SIGNED BY A. POCHANART 2007/01/31	THE CITY OF WINNIPEG WATER AND WASTE DEPARTMENT ENGINEERING DIVISION	
	DESIGNED BY ARA	CHECKED BY AP	CONSULTANT DRAWING NO. WS-S0127		WATER TREATMENT PLANT BULK CHEMICAL BUILDING SODIUM HYPOCHLORITE AND CHEMICAL STORAGE BUILDING		CITY FILE NUMBER
	DRAWN BY WDB	APPROVED BY AHL	RELEASED FOR CONSTRUCTION BY: R. SOROKOWSKI		STRUCTURAL PARTIAL CATWALK STAIRS AND PLATFORMS PLAN		SHEET OF
	SCALE: AS NOTED	DATE 2006/09/11	DATE 2007/01/31		CITY DRAWING NUMBER 1-06018-A-S0127-001-0D		