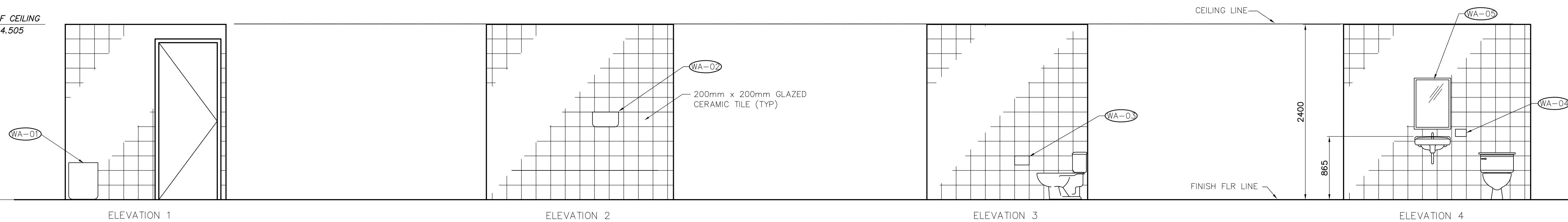
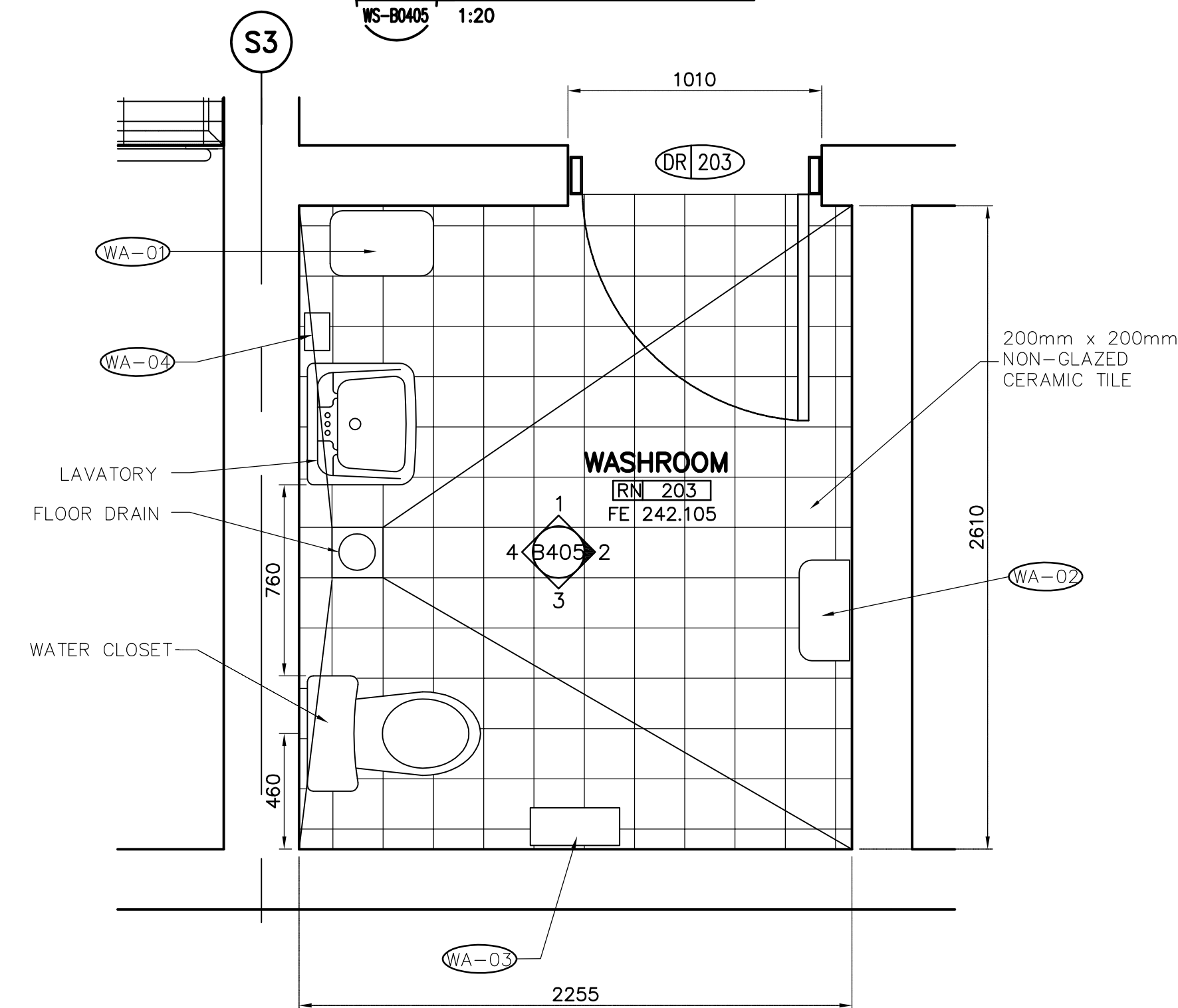


U/S OF CEILING  
EL. 244.505

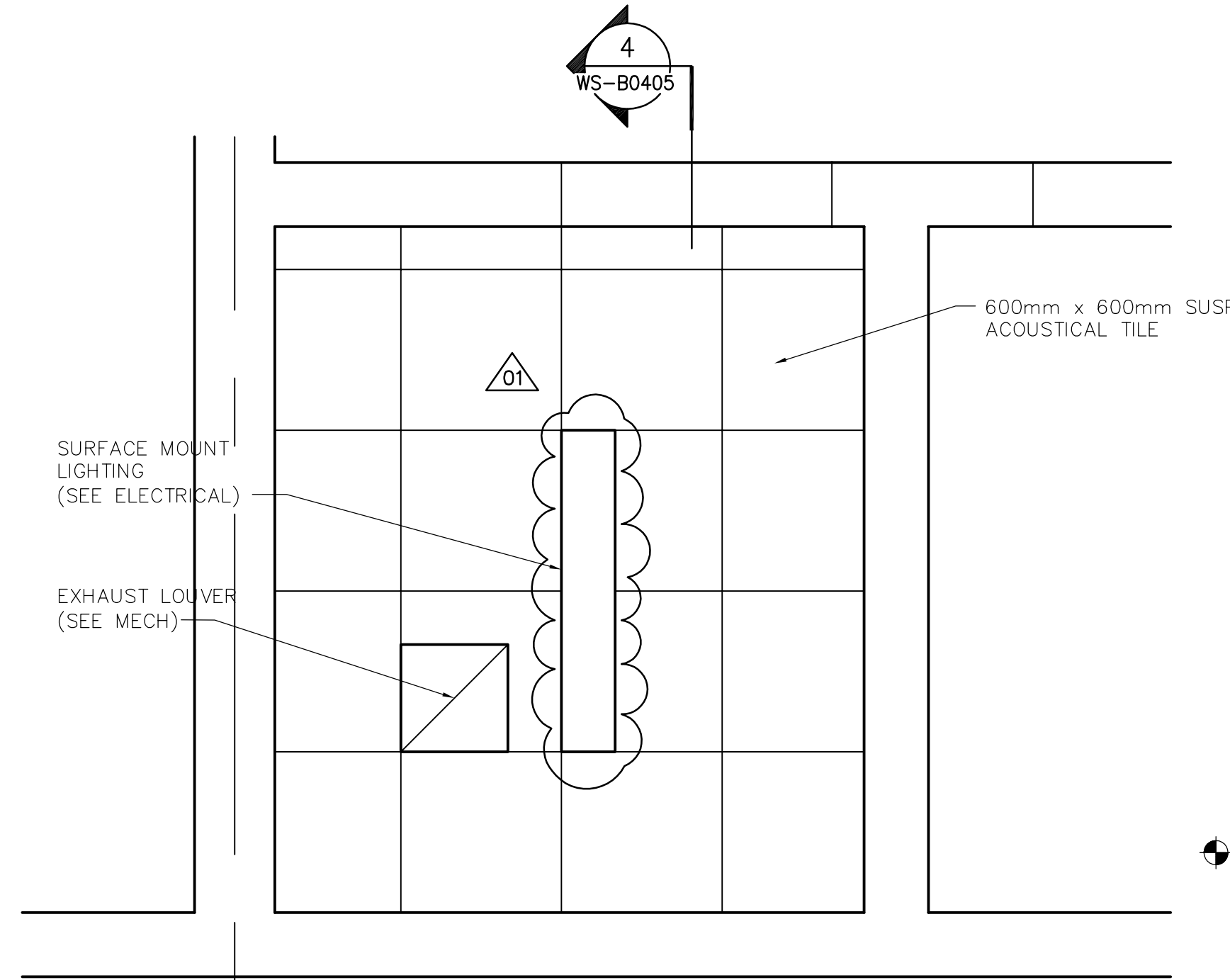
T.O. CONC  
EL. 242.105



5 INTERIOR ELEVATIONS  
WS-B0405 1:20

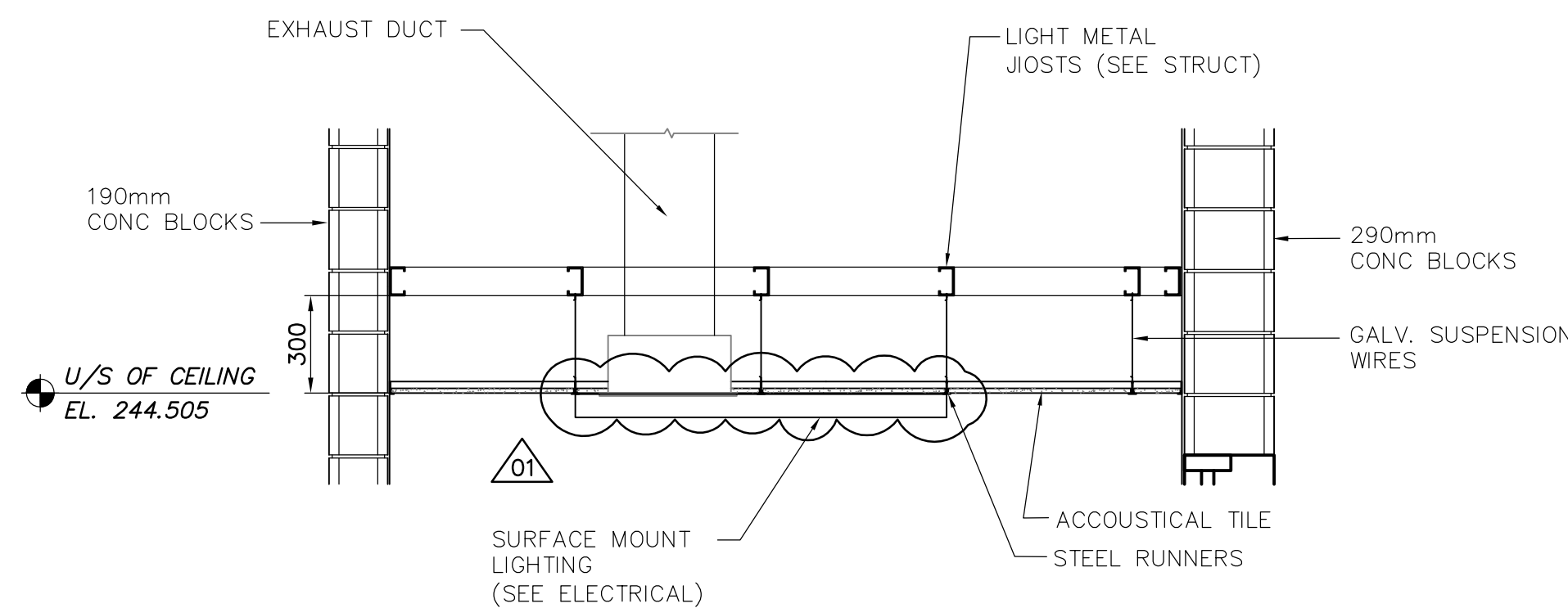


2 FLOOR PLAN OF WASHROOM  
WS-B0110 1:20

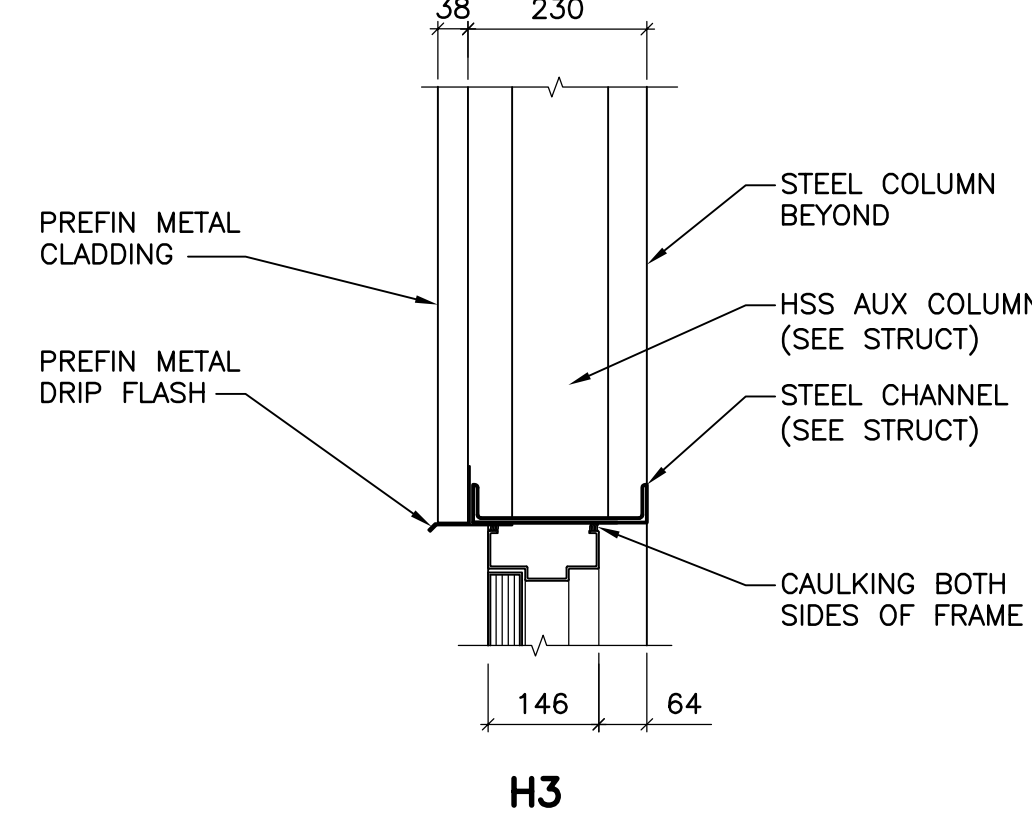
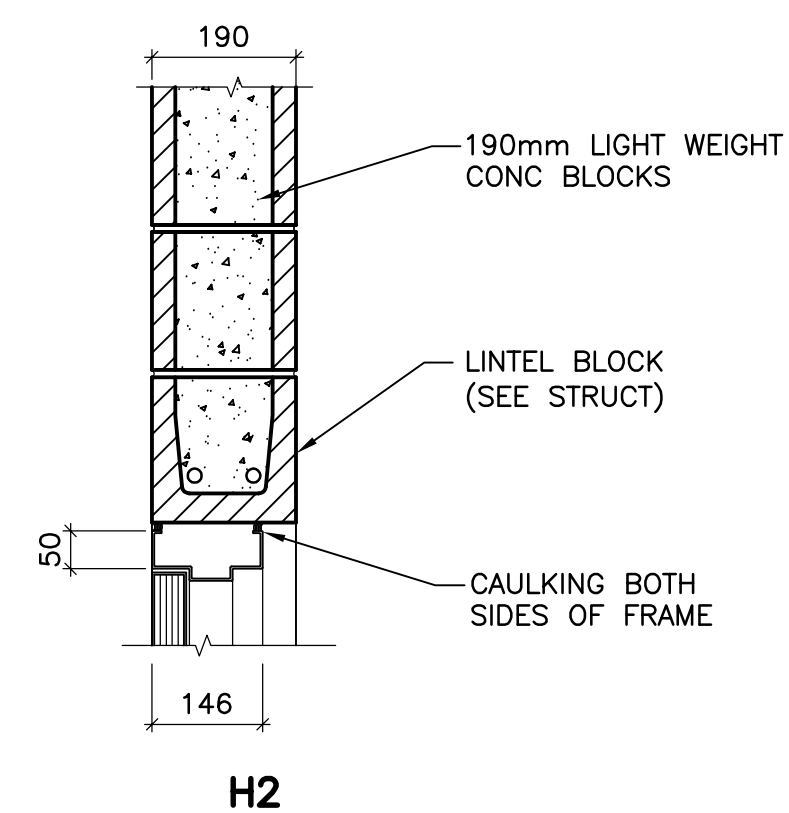
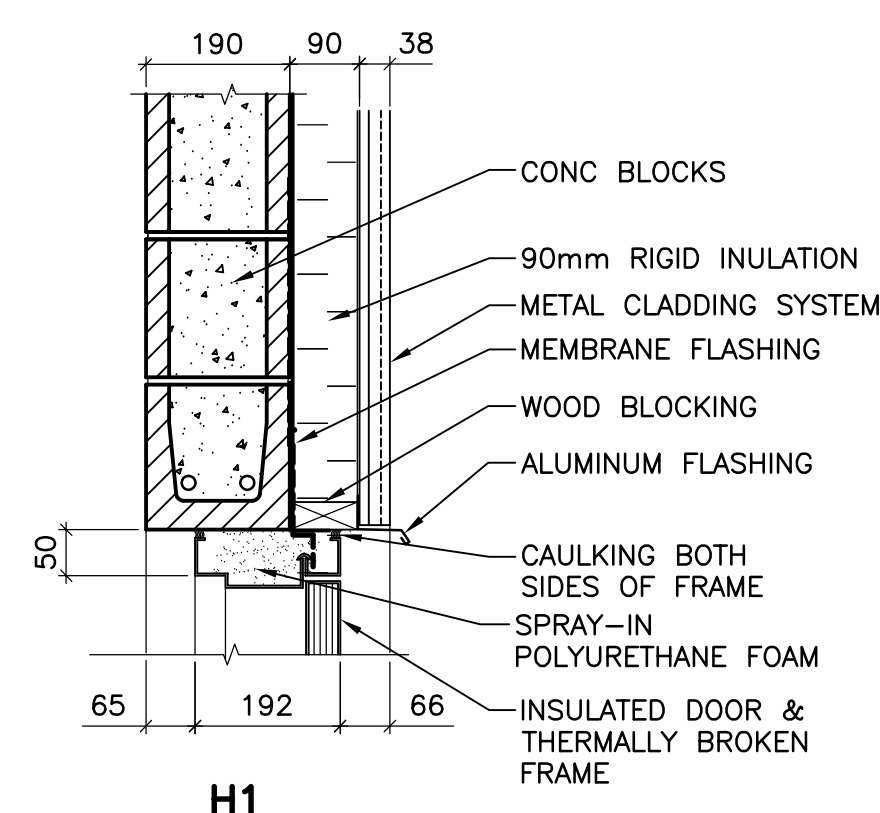


3 REFLECTED CEILING PLAN  
WS-B0405 1:20

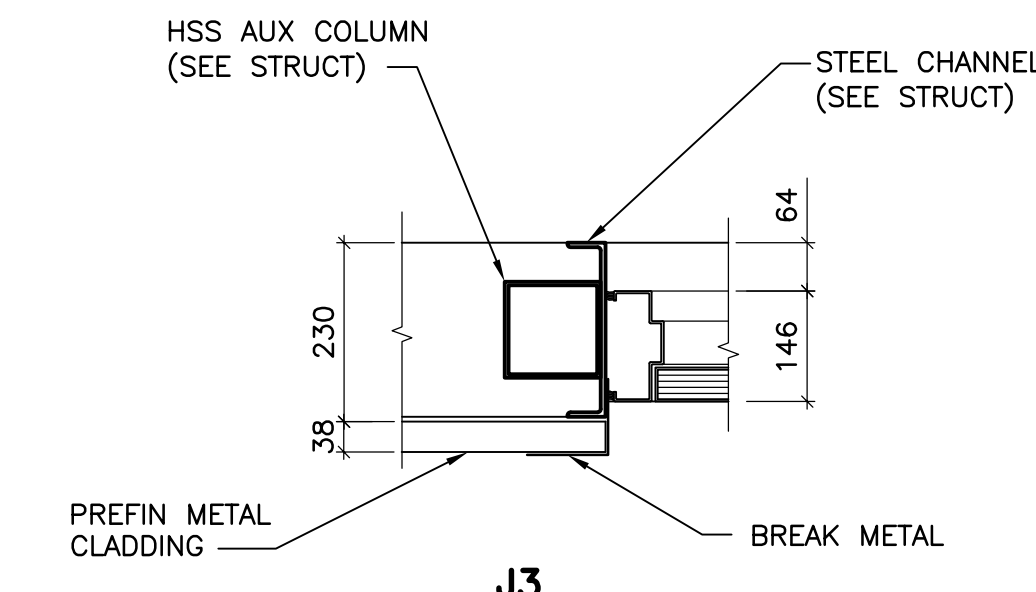
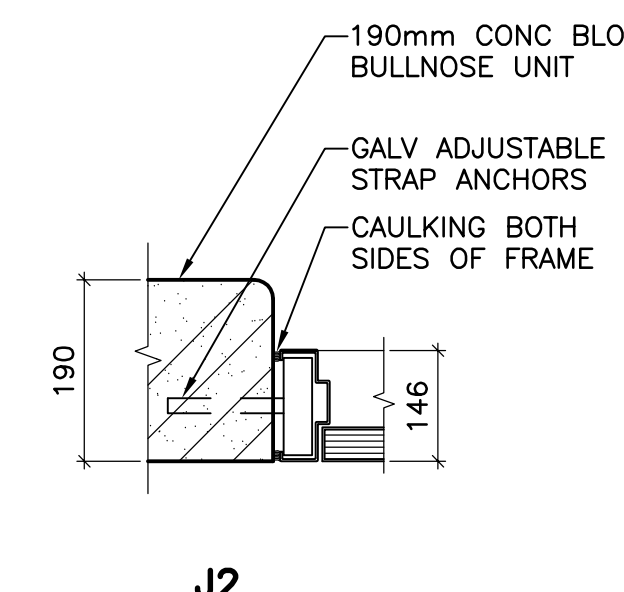
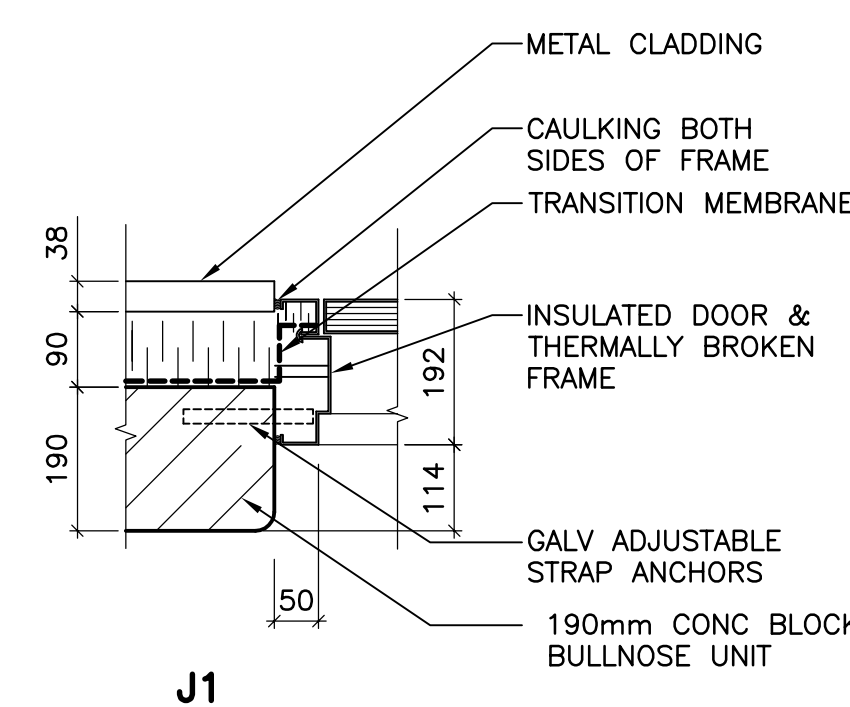
ACCESSORY SCHEDULE	
WA-01	TRASH BIN
WA-02	ELECTRIC HAND DRIER
WA-03	TOILET PAPER HOLDER
WA-04	SOAP DISPENSER
WA-05	MIRROR



4 SECTION AT SUSPENDED CEILING  
WS-B0405 1:20



HEAD TYPES  
SCALE 1:10



JAMB TYPES  
SCALE 1:10

1 HEAD & JAMB DETAILS  
WS-B0405 1:20



NO.	REVISIONS	DATE	BY	DATE	BY
01	792-2006 ADDENDUM 3	07/03/30	AL		
00	ISSUED FOR TENDER	07/01/31	AL		

DESIGNED BY: NC		CHECKED BY: LK	
DRAWN BY: AL		APPROVED BY: AHL	
SCALE: AS NOTED		RELEASED FOR CONSTRUCTION BY: R. SOROKOWSKI	
DATE: 2006/09/01		DATE: 2007/01/31	

ENGINEER'S SEAL  
ORIGINAL SIGNED BY  
NEIL COOPER  
2007/01/31  
CONSULTANT DRAWING NO.  
WS-B0405

**THE CITY OF WINNIPEG**  
WATER AND WASTE DEPARTMENT  
ENGINEERING DIVISION

WATER TREATMENT PLANT  
BULK CHEMICAL BUILDING  
SODIUM HYPOCHLORITE AND CHEMICAL STORAGE BUILDING

ARCHITECTURAL  
WASHROOM DETAILS & DOOR JAMB/HEAD DETAILS

CITY FILE NUMBER  
SHEET OF  
CITY DRAWING NUMBER  
1-06018-A-B0405-001-0D