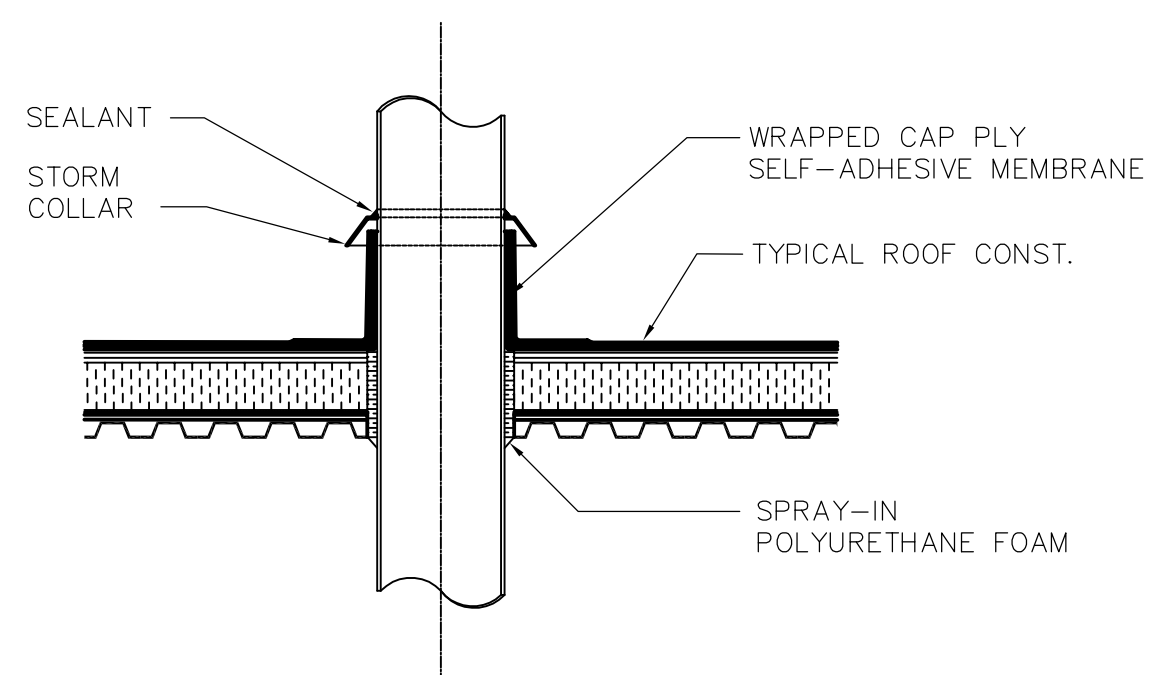
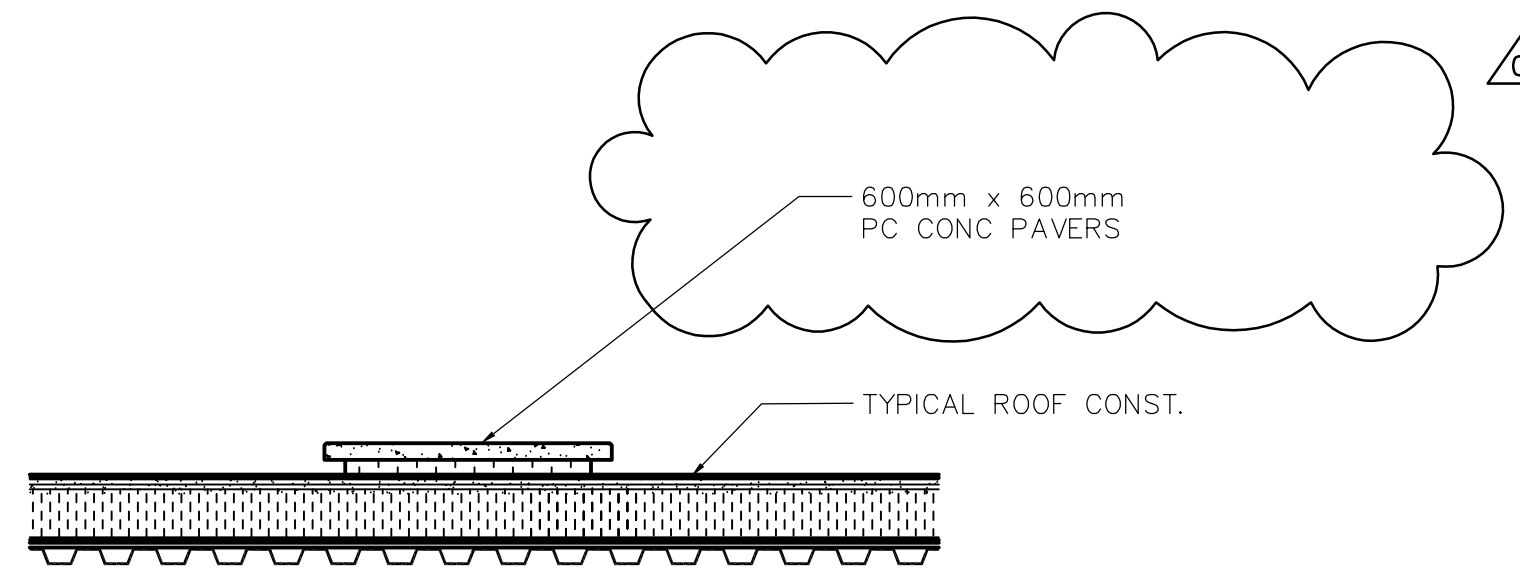


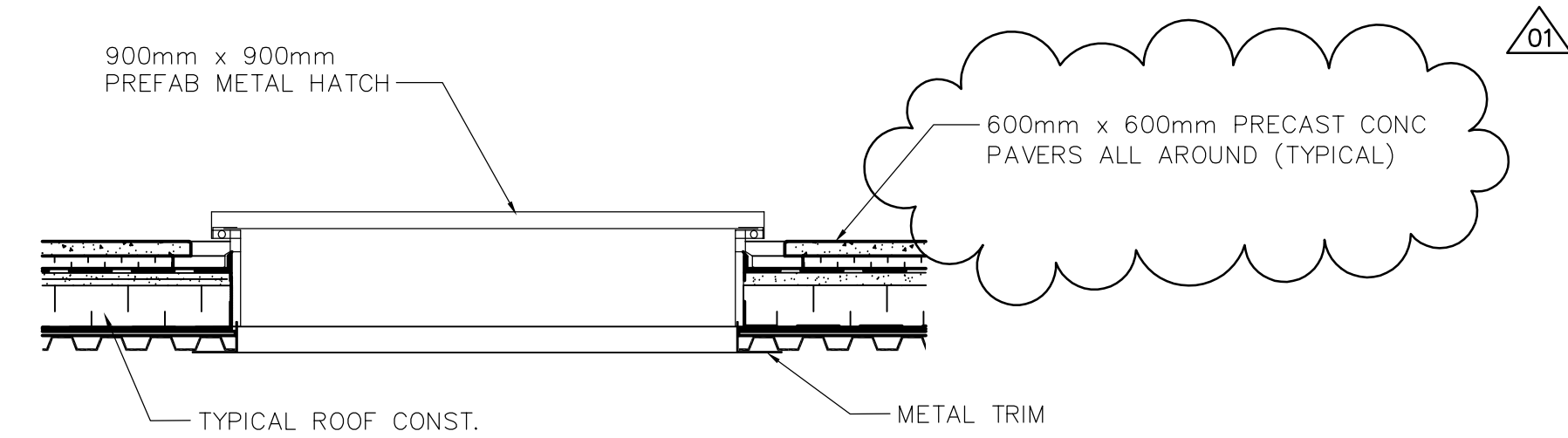
1 LOWER & UPPER ROOF PLAN
WJ-B0130 1:75



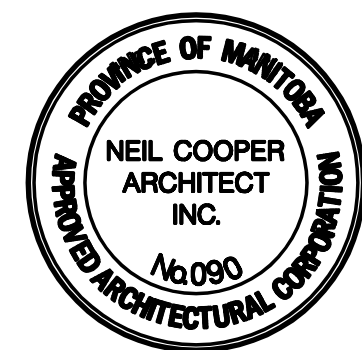
2 ROOF PENETRTION DETAIL
WJ-B0130 1:20



3 ROOF WALKWAY DETAIL
WJ-B0130 1:20



4 ROOF HATCH DETAIL
WJ-B0130 1:20



NO.	REVISIONS	DATE	BY	DATE	BY
01	792-2006 ADDENDUM 3	07/03/30	AL		
00	ISSUED FOR TENDER	07/01/31	AL		

DESIGNED BY: NC	CHECKED BY: LK
DRAWN BY: AL	APPROVED BY: AHL
SCALE: AS SHOWN	RELEASED FOR CONSTRUCTION BY: R. SOROKOWSKI
DATE: 2006/10/02	DATE: 2007/01/31

ENGINEER'S SEAL
ORIGINAL SIGNED BY
NEIL COOPER
2007/01/31
CONSULTANT DRAWING NO.
WJ-B0130

THE CITY OF WINNIPEG
WATER AND WASTE DEPARTMENT
ENGINEERING DIVISION

WATER TREATMENT PLANT
SODIUM HYPOCHLORITE GENERATION BUILDING
SODIUM HYPOCHLORITE AND CHEMICAL STORAGE BUILDING

ARCHITECTURAL
ROOF PLAN

CITY FILE NUMBER
SHEET OF
CITY DRAWING NUMBER
1-0601J-A-B0130-001-010