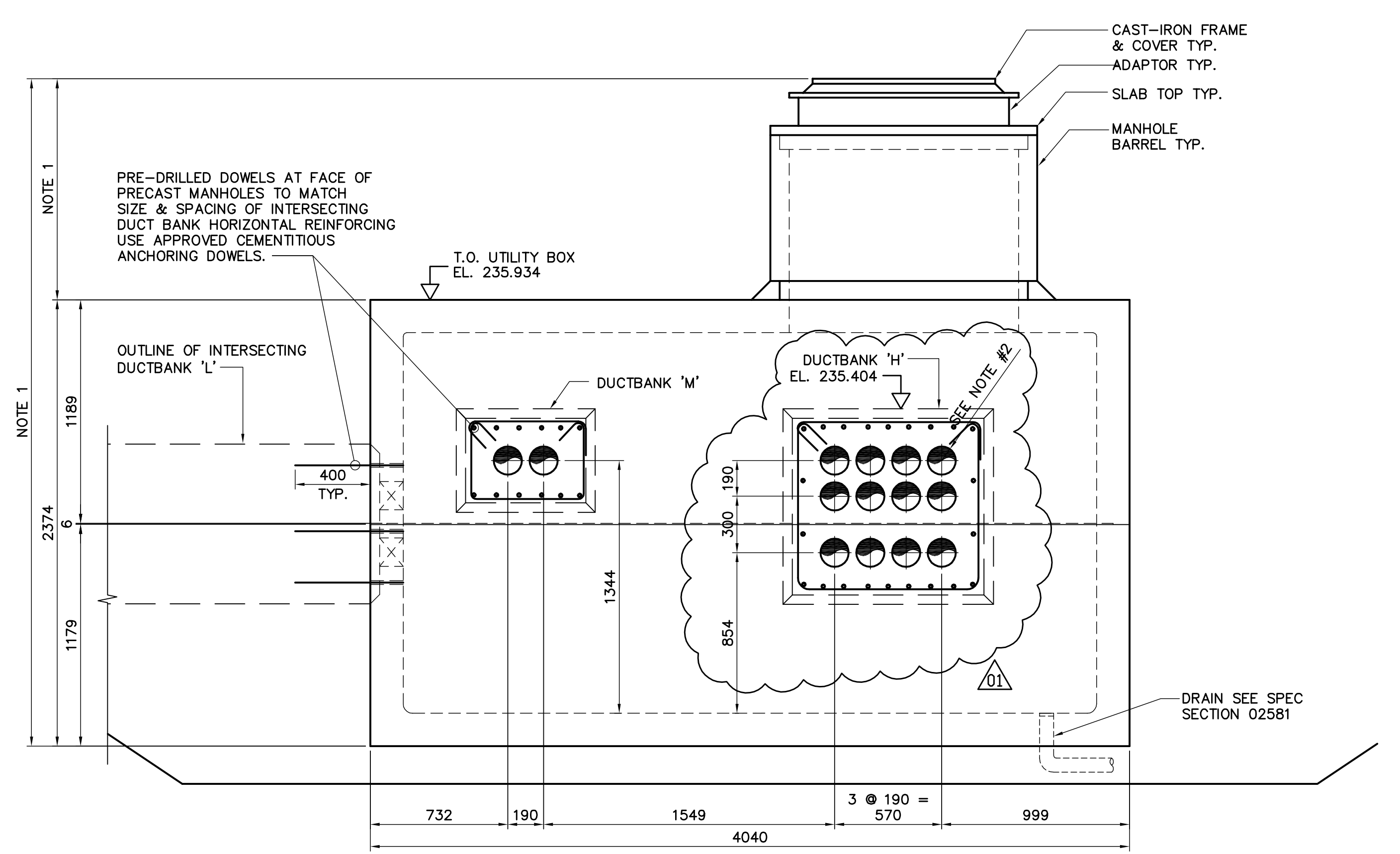
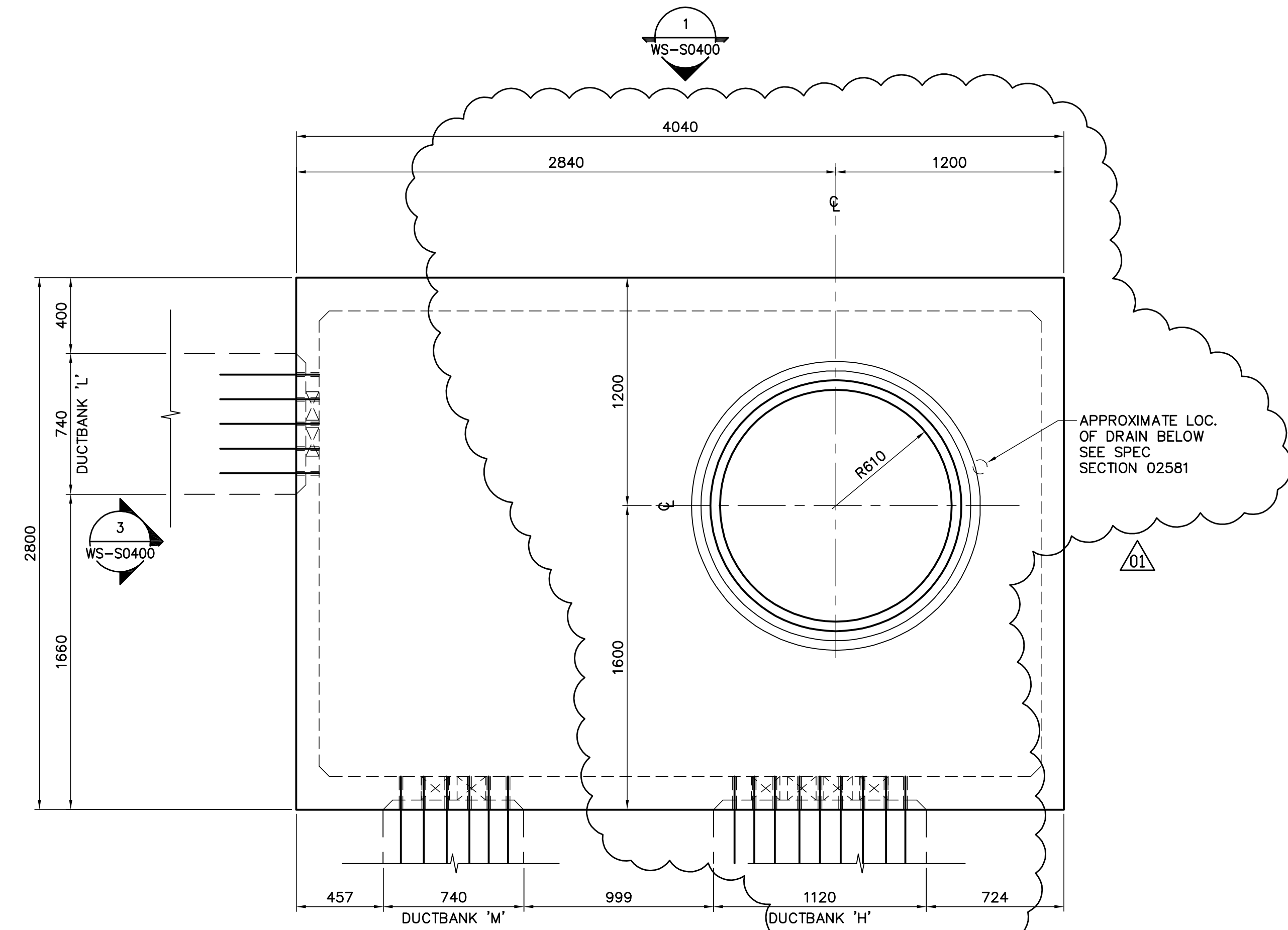


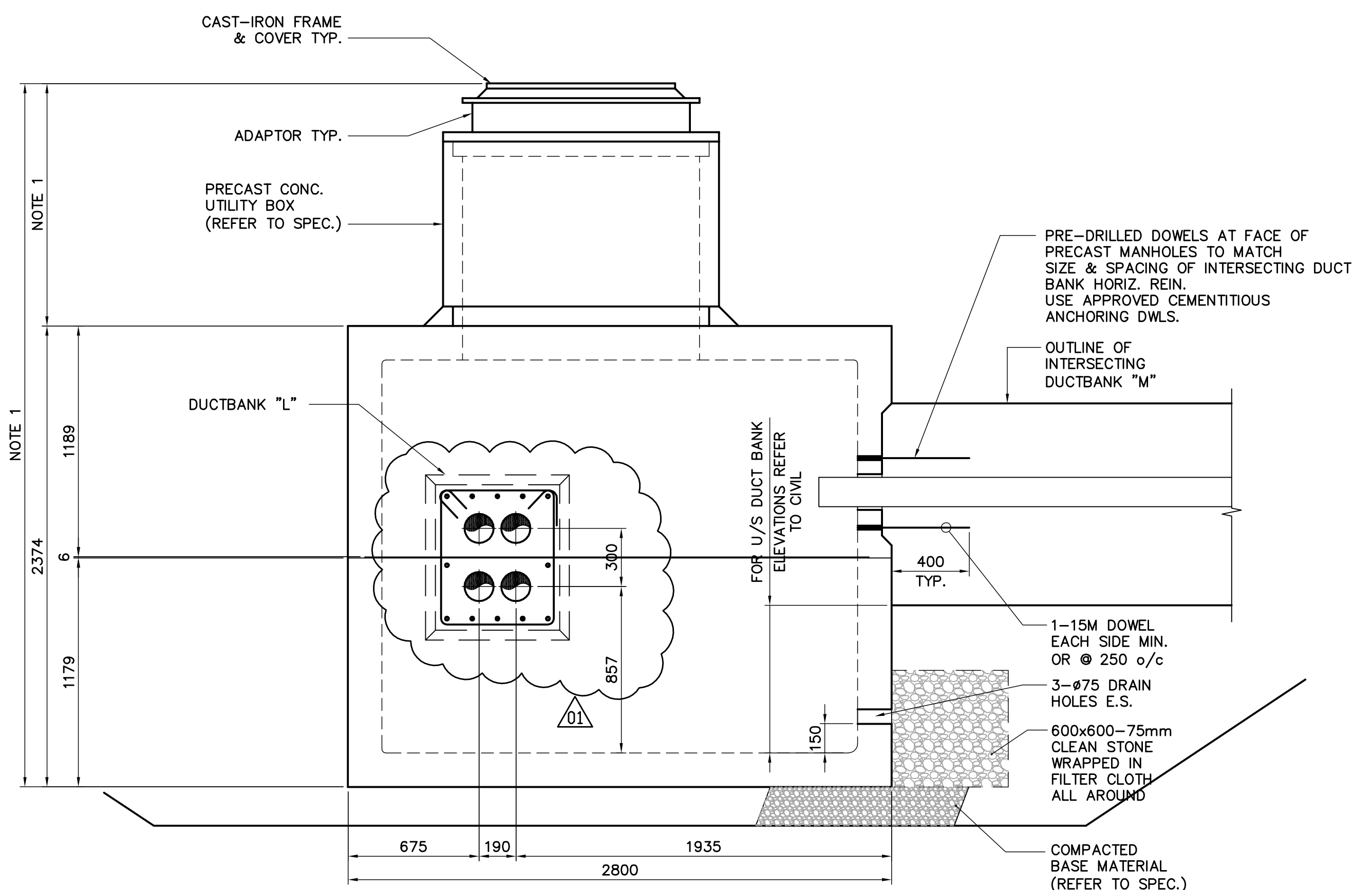
1 ELEVATION  
WS-S0400 1:40



2 ELEVATION  
WS-S0400 1:40



PLAN VIEW  
SCALE: 1:40



3 ELEVATION  
WS-S0400 1:40

- NOTES:
- LENGTH TO SUIT RIM ELEVATION & BOTTOM OF MANHOLE ELEVATION.
  - HOLES IN UTILITY BOX TO ALLOW PASSAGE OF Ø150 I.D DB2 ENT. DUCTS.

**APECM**  
Certificate of Authorization  
Earth Tech Canada Inc.  
No. 730 Expiry: April 30, 2007

B.M. ELEV.	<b>CH2M HILL</b> Frederickson Cooper ARCHITECTS	<b>EarthTech</b> A Tyco International Ltd. Company	ENGINEER'S SEAL ORIGINAL SIGNED BY A. POCHANART 2007/01/31	<b>THE CITY OF WINNIPEG</b> WATER AND WASTE DEPARTMENT ENGINEERING DIVISION
DESIGNED BY: EC	CHECKED BY: AP	DESIGNED BY: CMF	APPROVED BY: AHL	WATER TREATMENT PLANT BULK CHEMICAL BUILDING
SCALE: AS NOTED	RELEASED FOR CONSTRUCTION BY: R. SOROKOWSKI	CONSULTANT DRAWING NO. WS-S0411	STRUCTURAL DUCT BANK PLAN AND DETAILS	CITY FILE NUMBER SHEET OF CITY DRAWING NUMBER <b>1-0608-A-S0411-001-01D</b>
01 792-2006 ADDENDUM 2 07/03/22 WDB	07/01/31 WDB	DATE 2006/12/21	DATE 2007/01/31	