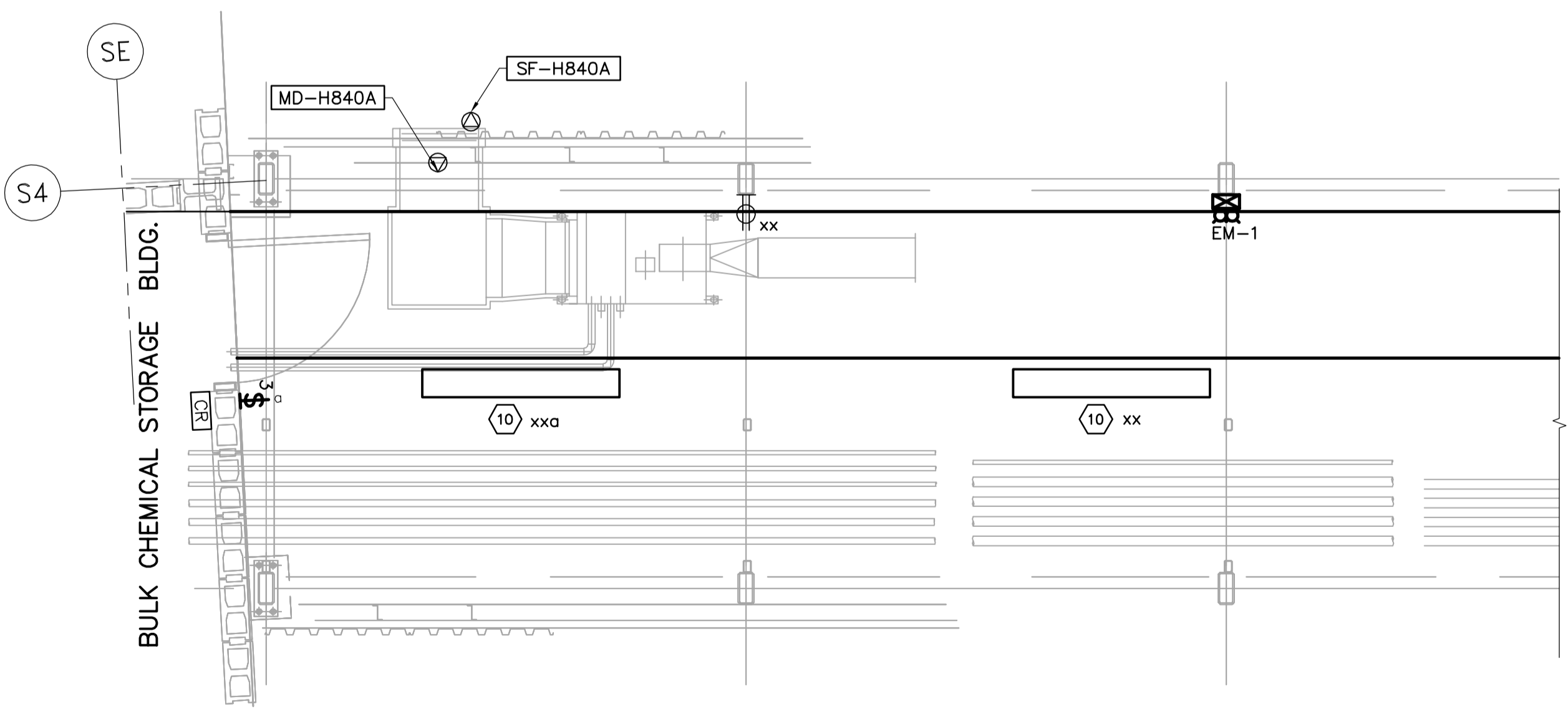
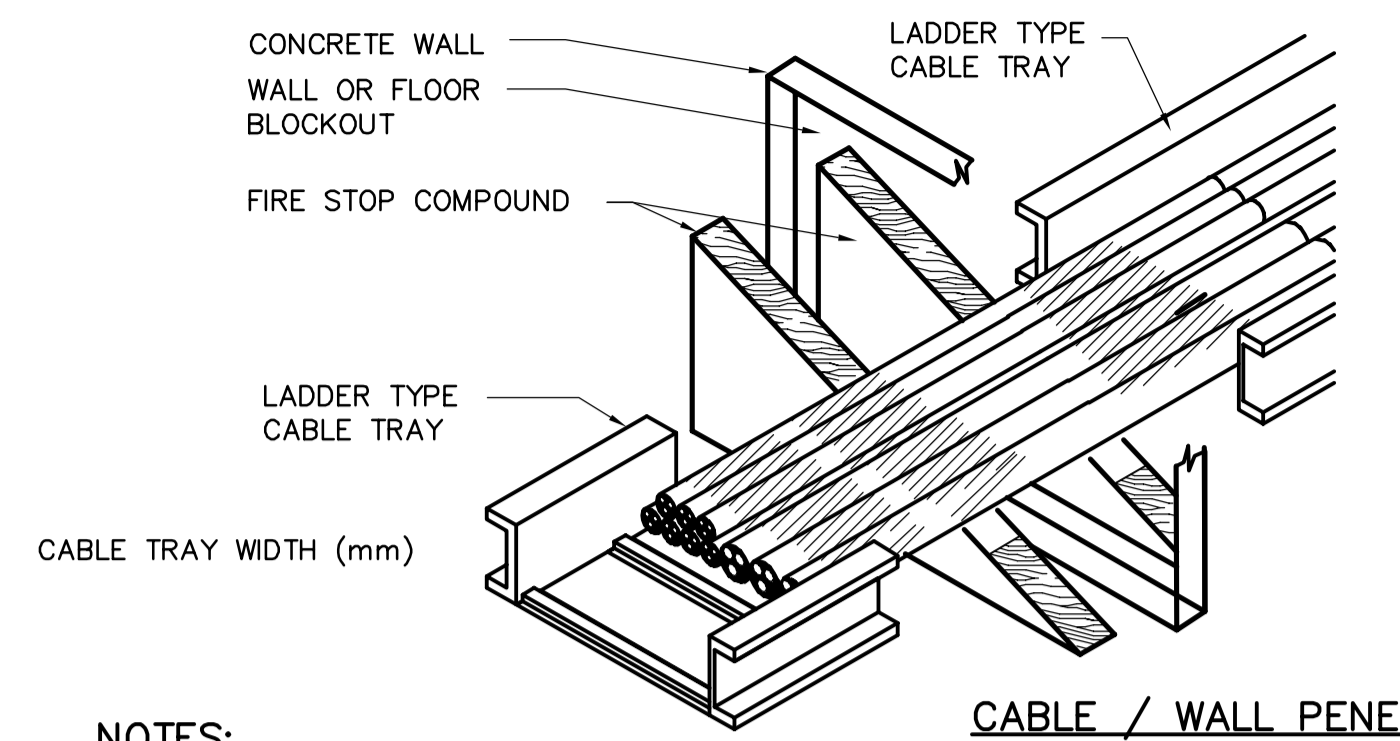


SKYWAY BRIDGE FACILITY, POWER AND LIGHTING PLAN
1:30



CABLE TRAY TAGGING
SEE DETAIL
3
WS-E0452

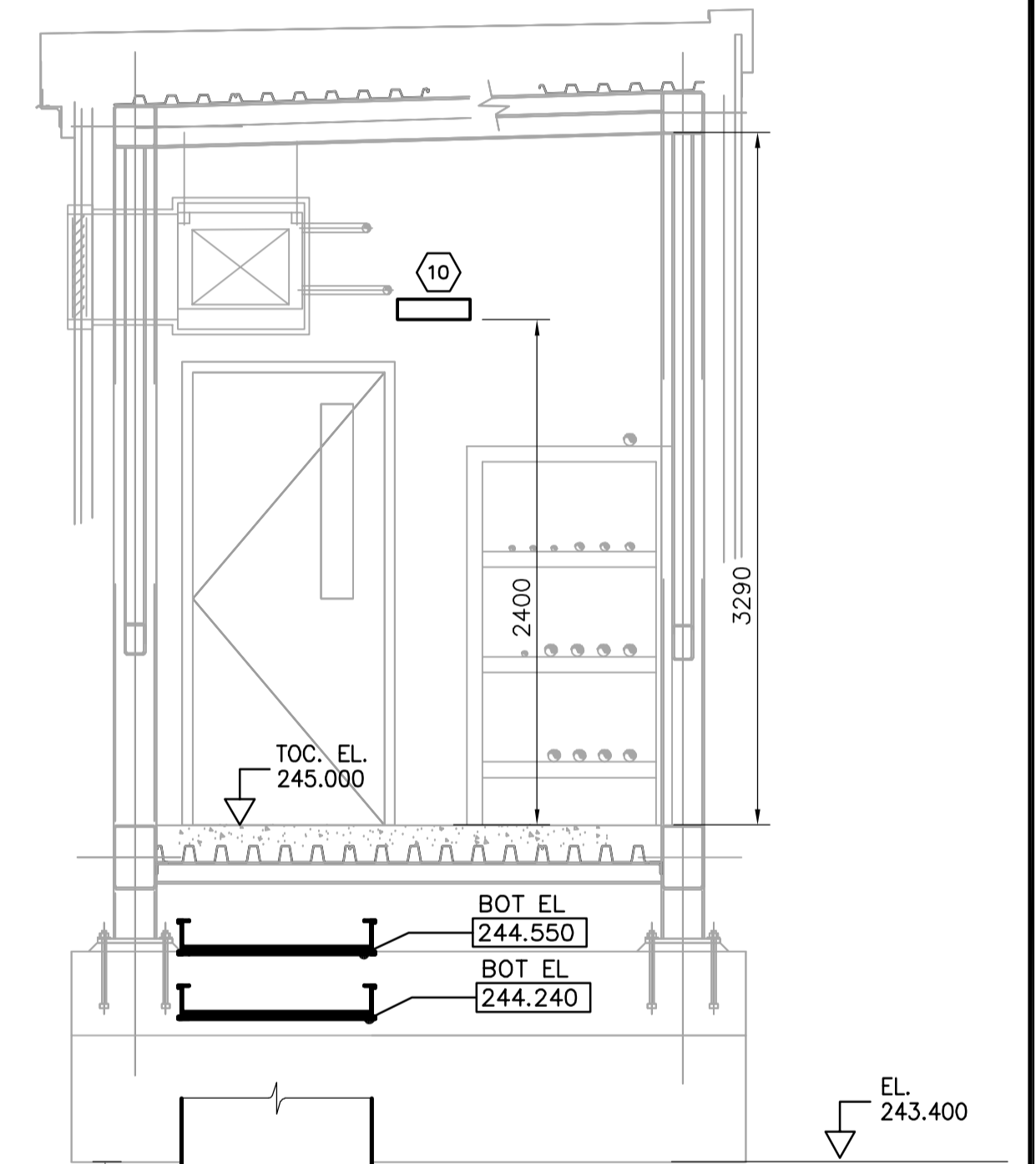


CABLE / WALL PENETRATION

NOTES:

1. APPLY FIRE RESISTANT COATING TO BOTH INSIDE AND OUTSIDE OF WALL AND TO THE TRAY ALSO.
2. ALL COMPONENTS OF A ULC APPROVED FIRE STOP SYSTEM TO BE INSTALLED PER MANUFACTURERS' INSTRUCTIONS FOR SPECIFIED FIRE RATING.
3. FIRE STOP MATERIALS & INSTALLATION TO BE DONE BY OTHERS.

1
-
NTS



A
-
SECTION
1:30

- NOTES:
1. ALL 120V AND 208V, LOADS ARE FED FROM LP-xxx.
 2. EMERGENCY LIGHTING EM-X-1 IS FED FROM BATTERY PACK EM-41.
 3. LUMINAIRE MOUNTING EL. 2.4m FROM T.O.C.

APECA
Certificate of Authorization
CH2M HILL Canada Ltd.
No. 1441 Expiry: April 30, 2007

| NO. | REVISIONS | DATE | BY |
|-----|-----------------------|----------|----|
| 00 | ISSUED FOR ADDENDUM 2 | 07/03/12 | LL |

CH2MHILL
Frederickson Cooper
ARCHITECTS

EarthTech
A 100 International Ltd. Company

| | |
|------------------|---|
| DESIGNED BY: LL | CHECKED BY: |
| DRAWN BY: TLL | APPROVED BY: AHL |
| SCALE: 1:30 | RELEASED FOR CONSTRUCTION BY: R. SOROKOWSKI |
| DATE: 2007/03/12 | DATE: 2007/02/16 |

ENGINEER'S SEAL
ORIGINAL SIGNED BY
L.D. LLEWELLYN
2007/02/16
CONSULTANT DRAWING NO.
WJ-E0401

THE CITY OF WINNIPEG
WATER AND WASTE DEPARTMENT
ENGINEERING DIVISION

WATER TREATMENT PLANT
SODIUM HYPOCHLORITE BUILDING
SODIUM HYPOCHLORITE AND CHEMICAL STORAGE BUILDINGS

ELECTRICAL
SKYWAY BRIDGE
DETAILS

| | |
|---------------------|-------------------------|
| CITY FILE NUMBER | |
| SHEET OF | |
| CITY DRAWING NUMBER | 1-0601J-A-E0401-001-000 |