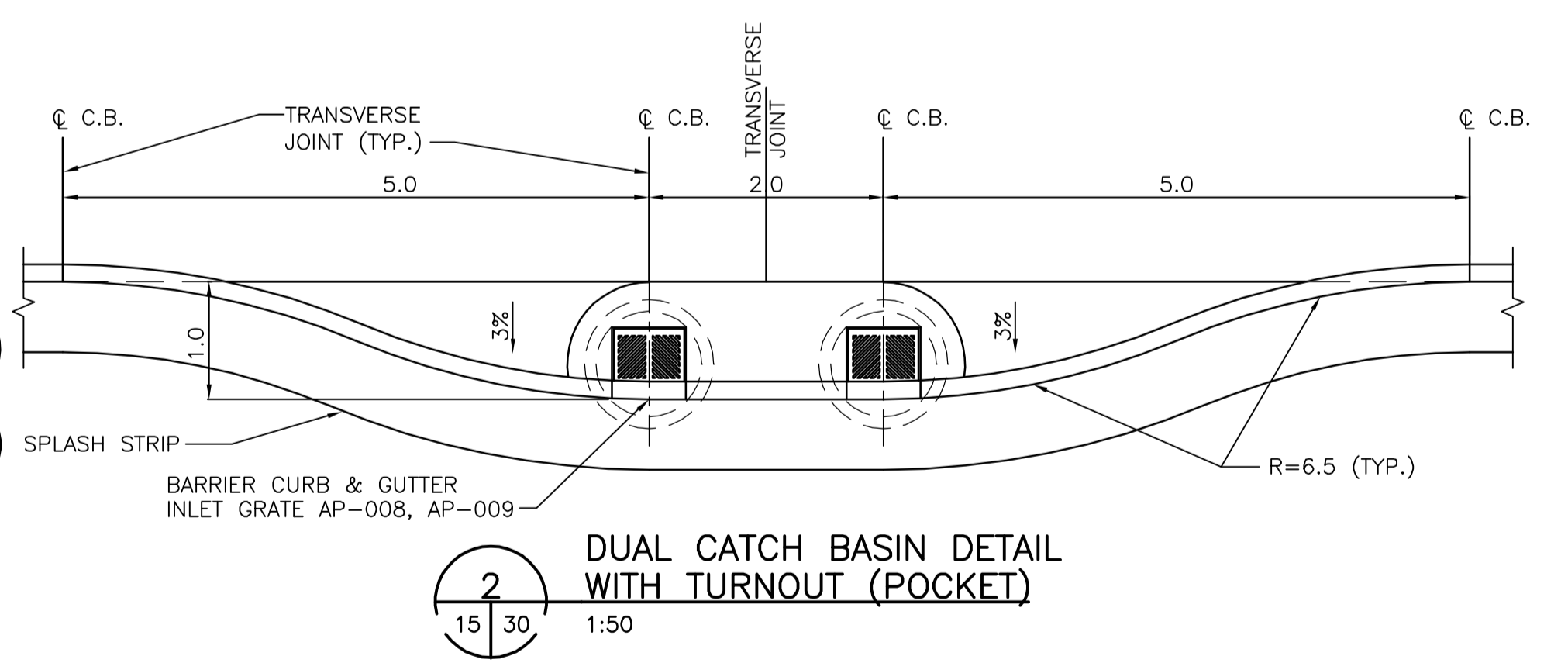
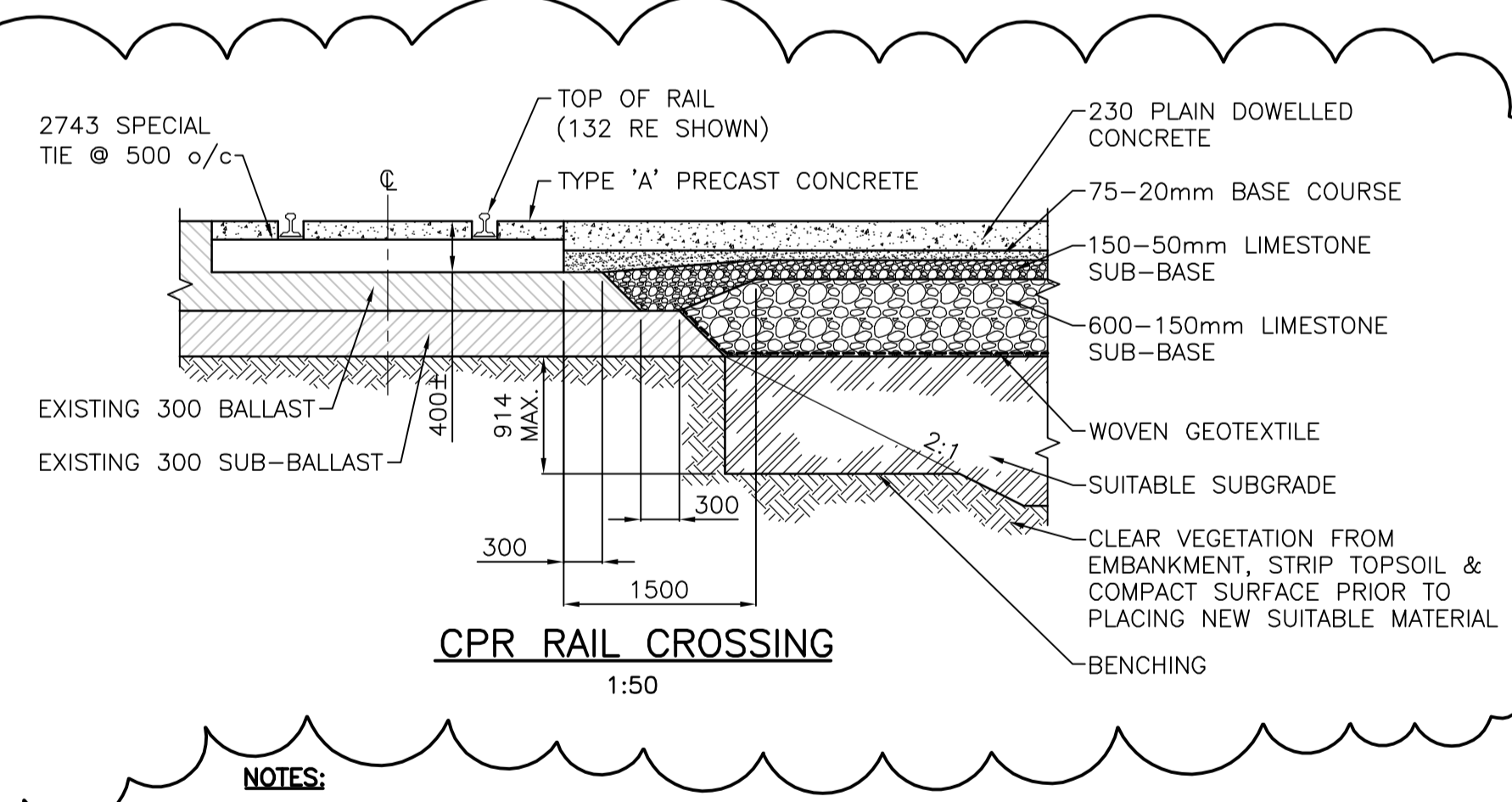
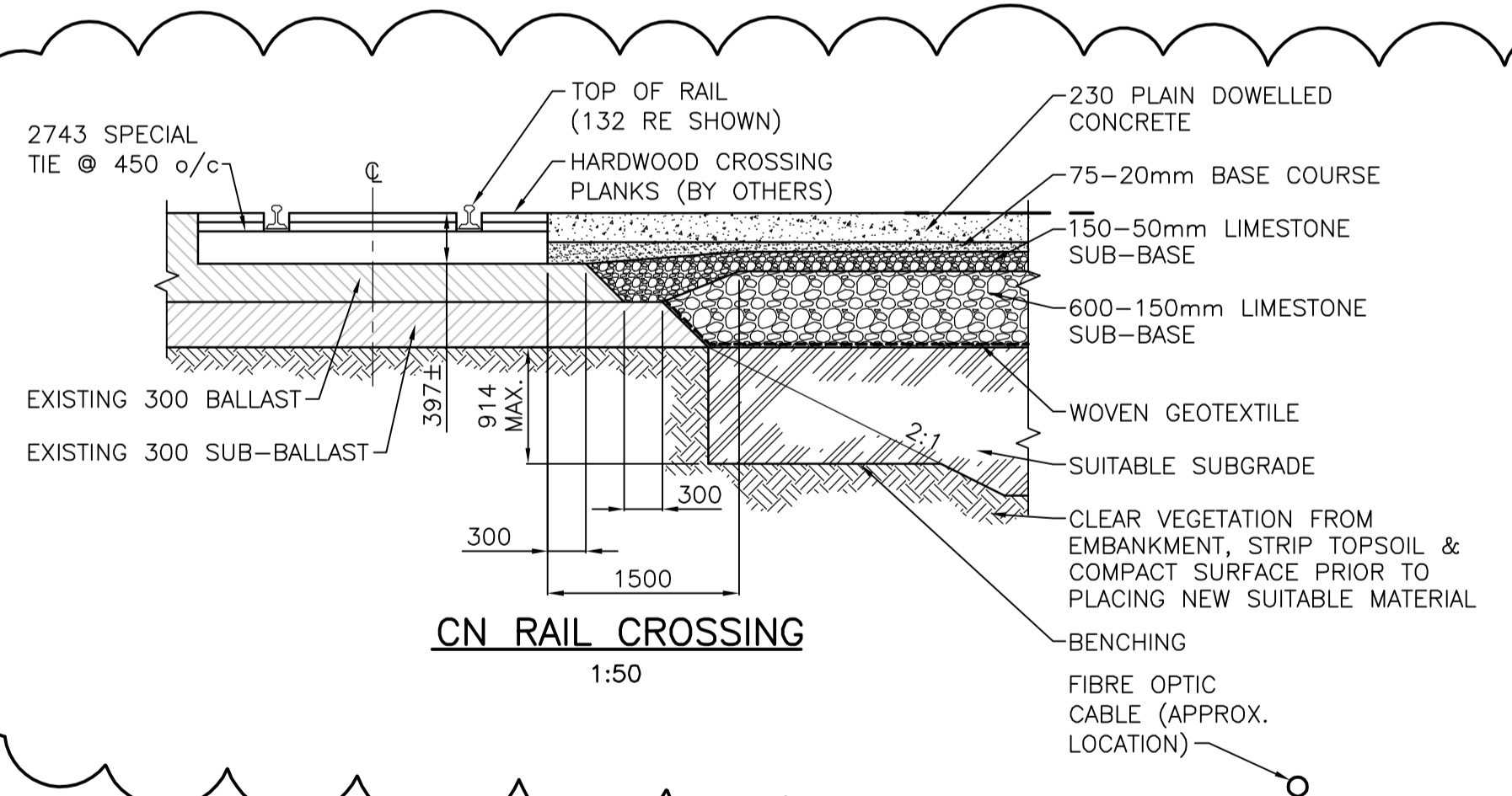


**DUAL CATCH BASIN DETAIL  
WITHOUT TURNOUT (POCKET)**

SCALE: 1:50



- NOTES:**
- FOR NEW PAVEMENT JOINT DETAILS REFER TO DWG. P-3258-22 TO P-3258-25.
  - CONCRETE MULTI-USE SIDEWALK AT SPECIFIED LOCATIONS SHALL BE BUILT AS PER SD-228A, WITH 75mm THICK BASE COURSE.
  - FOR LANDSCAPING DETAILS, REFER TO DRAWINGS P-3258-32 TO P-3258-38.
  - FOR RAIL AND SIDEWALK CROSSING, REFER TO C.O.W. STANDARD DETAIL 231A & 231B. EPFLEX RAIL SEAL OR APPROVED EQUAL SHOULD BE USED IN PLACE OF FLANGE RAIL. BENCHING SHOULD BE AS PER THE RAILROAD CROSSING DETAILS.

**LOCATION APPROVED UNDERGROUND STRUCTURES**

SUPV. U/G STRUCTURES COMMITTEE	DATE

**NOTE:**  
LOCATION OF UNDERGROUND STRUCTURES AS SHOWN ARE BASED ON THE BEST INFORMATION AVAILABLE BUT NO GUARANTEE IS GIVEN THAT ALL EXISTING UTILITIES ARE SHOWN OR THAT THE GIVEN LOCATIONS ARE EXACT. CONFIRMATION OF EXISTENCE AND EXACT LOCATION OF ALL SERVICES MUST BE OBTAINED FROM THE INDIVIDUAL UTILITIES BEFORE PROCEEDING WITH CONSTRUCTION.

NO.	REVISIONS	DATE	BY

**Stantec Consulting Ltd.**  
905 Waverley Street, Winnipeg, Manitoba  
Tel 204-489-5900 Fax 204-453-9012

DESIGNED BY	TAS, WB	CHECKED BY	TAS

DRAWN BY	TAG, JMB	APPROVED BY	GWM

HOR. SCALE: AS SHOWN  
VERTICAL: AS SHOWN

AUTHORIZED BY: **R. FINGAS** 05.03.24  
R. FINGAS, P. ENG.  
BRIDGE PROJECTS ENGINEER

**ENGINEER'S SEAL**

ORIGINAL SEALED BY  
**G.W. MOURANT**  
P. ENG.  
05.03.24

CONSULTANT DRAWING NO.  
**I13703042-T18**

**THE CITY OF WINNIPEG  
PUBLIC WORKS DEPARTMENT  
Winnipeg ENGINEERING DIVISION**

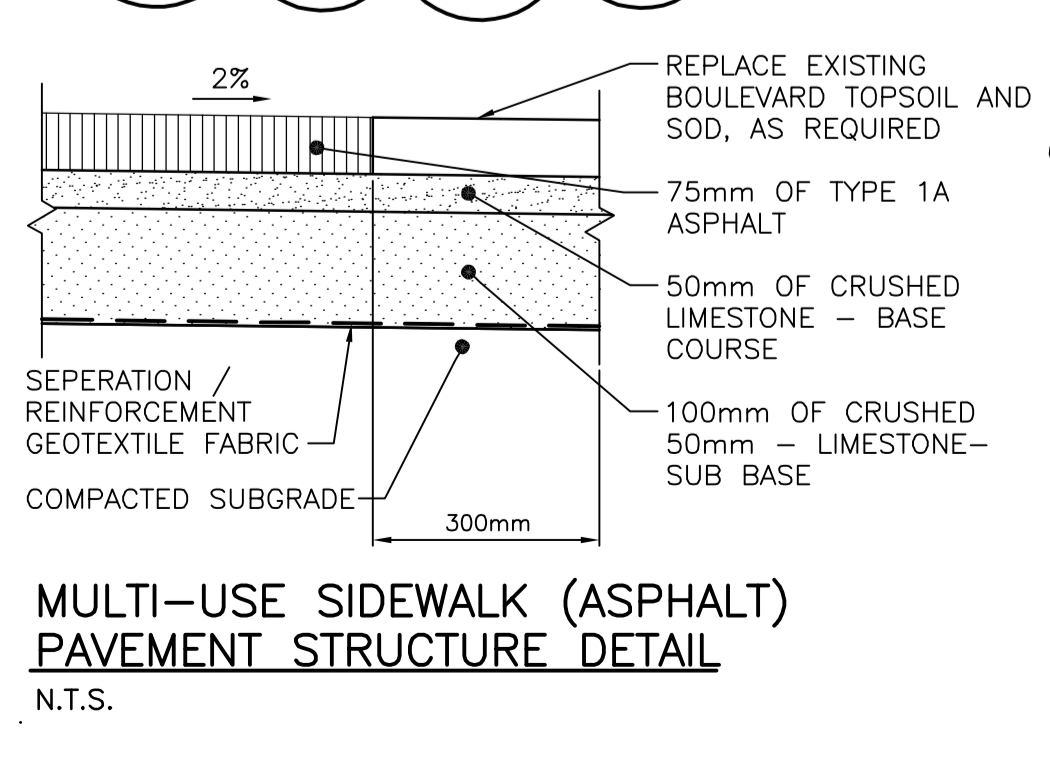
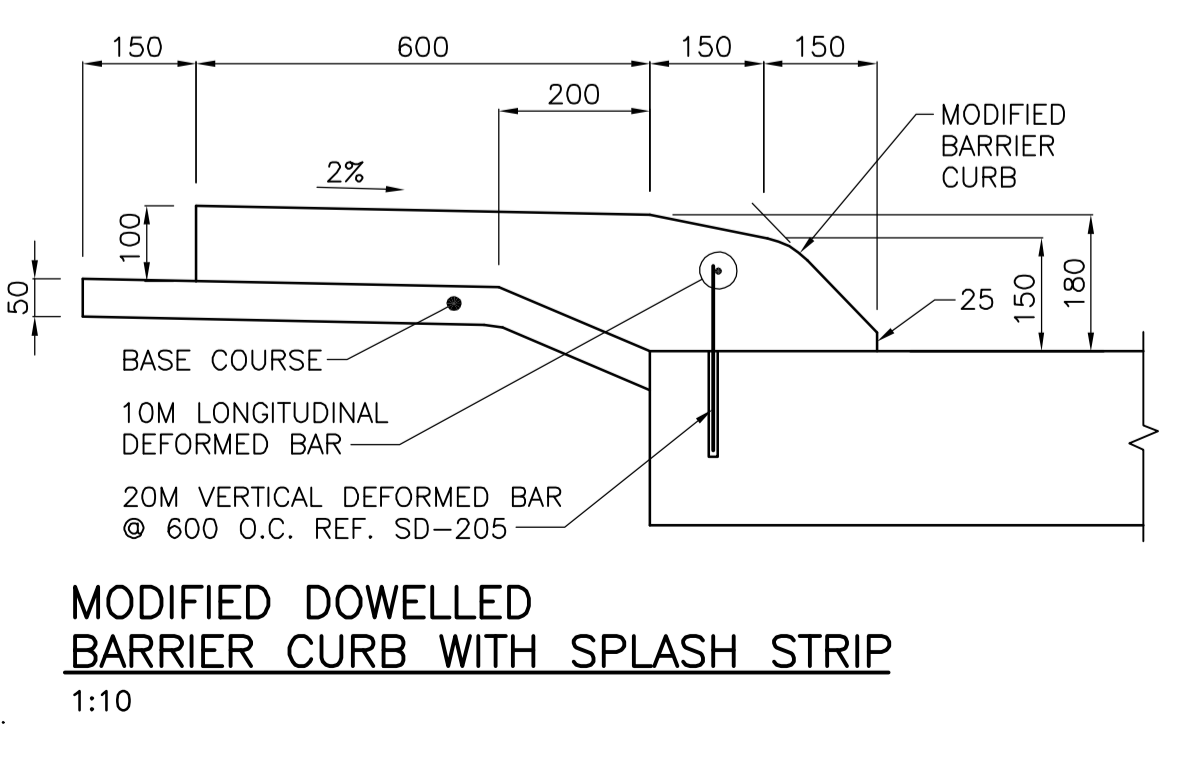
**KENASTON UNDERPASS  
STERLING LYON PARKWAY (EAST)**

**MISCELLANEOUS ROAD DETAILS**

SHEET	OF
30	60

CAD FILE DRAWING NUMBER  
dt1-sect.dwg

CITY DRAWING NUMBER  
**P-3258-30**



**WARNING**

IF POWER EQUIPMENT OR EXPLOSIVES ARE TO BE USED FOR EXCAVATION ON THIS PROJECT THE CONTRACTOR MUST:

- NOTIFY THE GAS COMPANY OF THE PROPOSED LOCATION OF EXCAVATION.
- TAKE PRECAUTION TO AVOID DAMAGE TO GAS COMPANY INSTALLATIONS.

SEE PROVINCIAL REGULATION 140/92 FOR DETAILS

**APEGM**  
Certificate of Authorization  
Stantec Consulting Ltd.  
No. 1301 Expiry: April 30, 2005