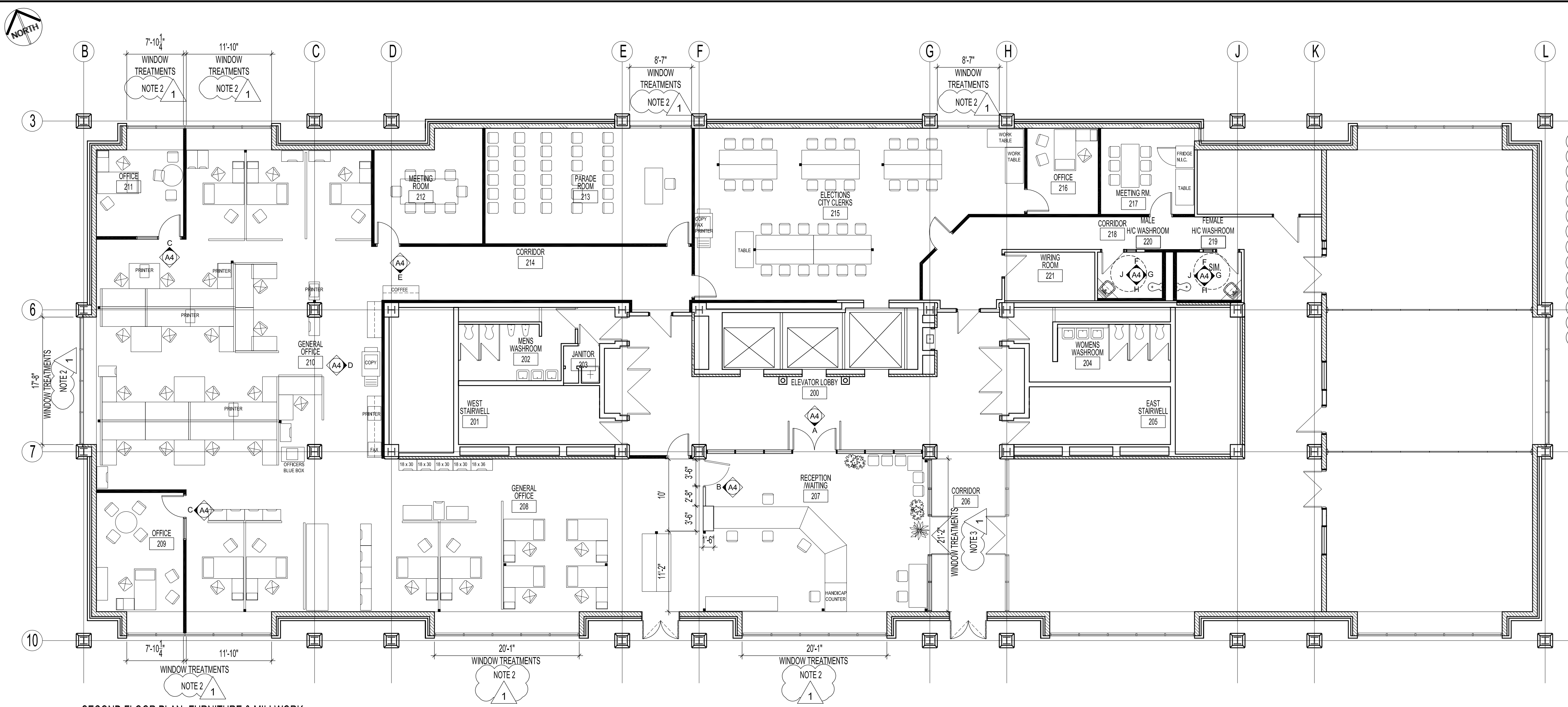


PROJECT No: 2004-180-06
 ADDRESS: 510 MAIN ST.
 DESCRIPTION: 2ND FLOOR PLAN - FURNITURE & MILLWORK ELEVATIONS
 DATE: 2005.11.15
 FILE NAME: 2004180-06V1.dwg/A4R1



NOTES :

WINDOW TREATMENT FINISHES:

NOTE: ALL WINDOW SIZES ARE APPROXIMATED AND ARE TO BE CONFIRMED ON SITE.

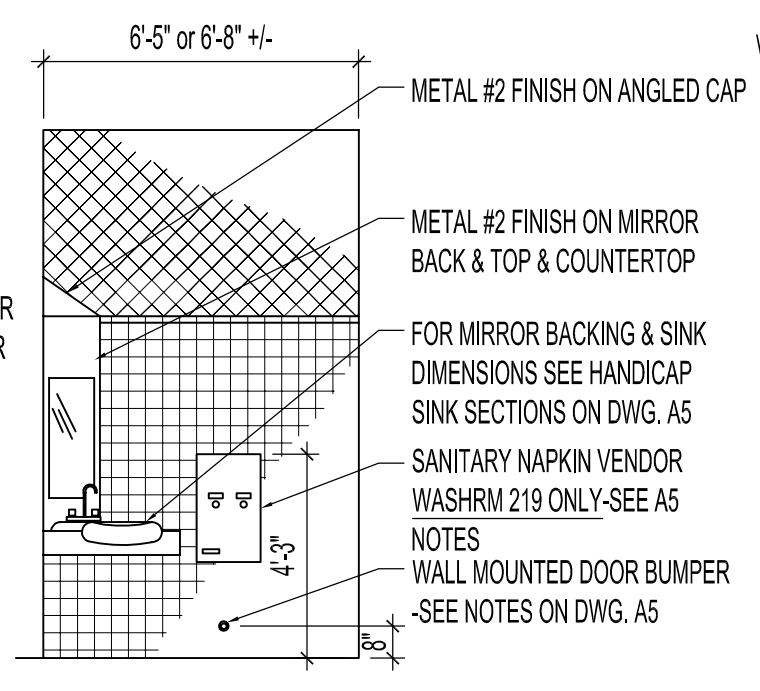
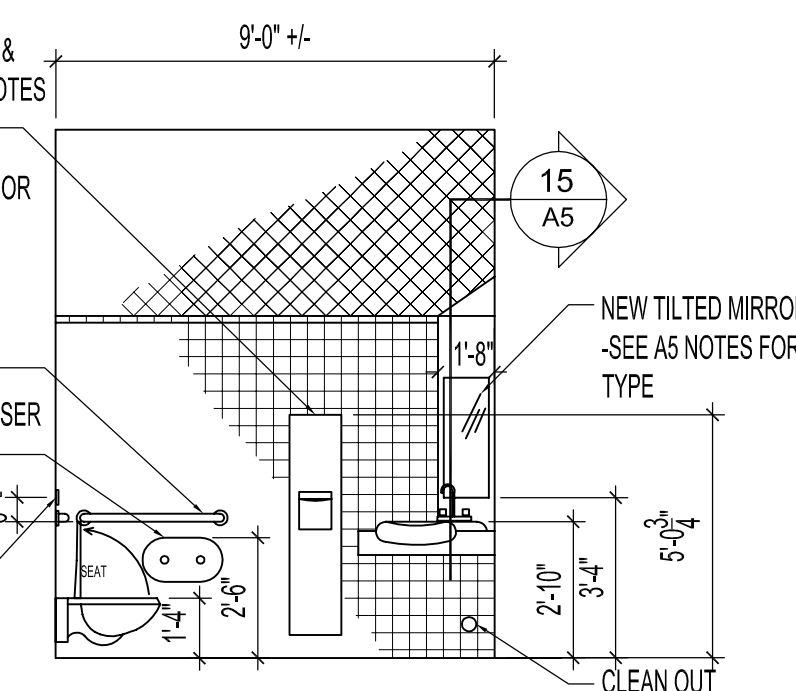
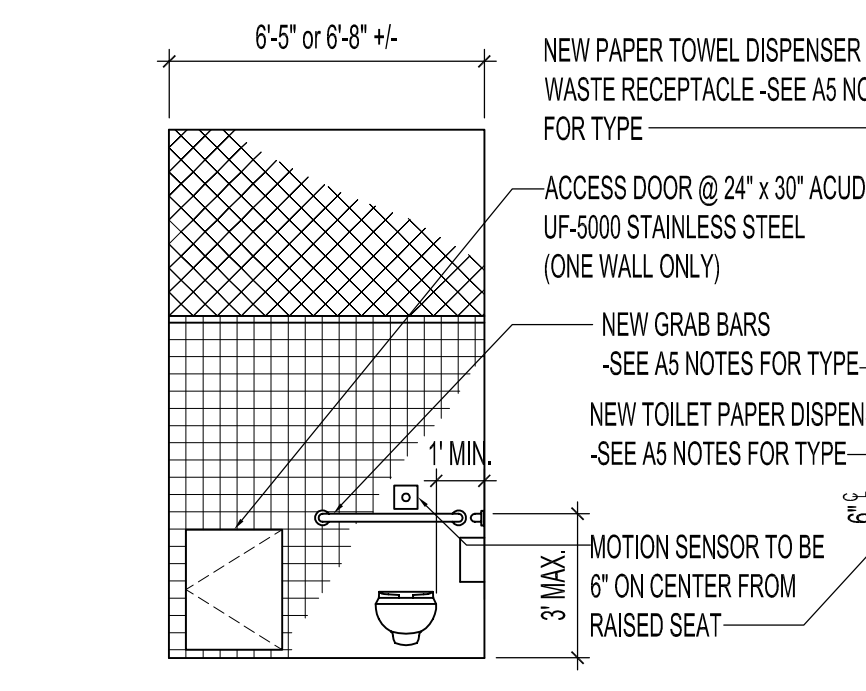
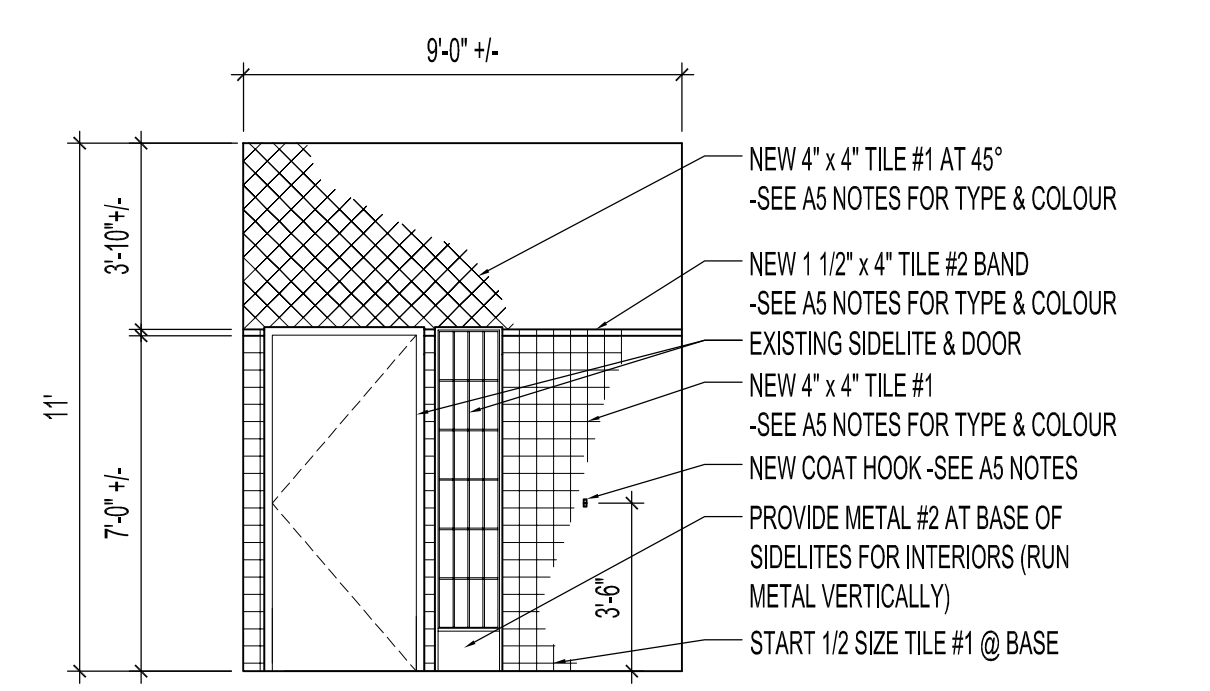
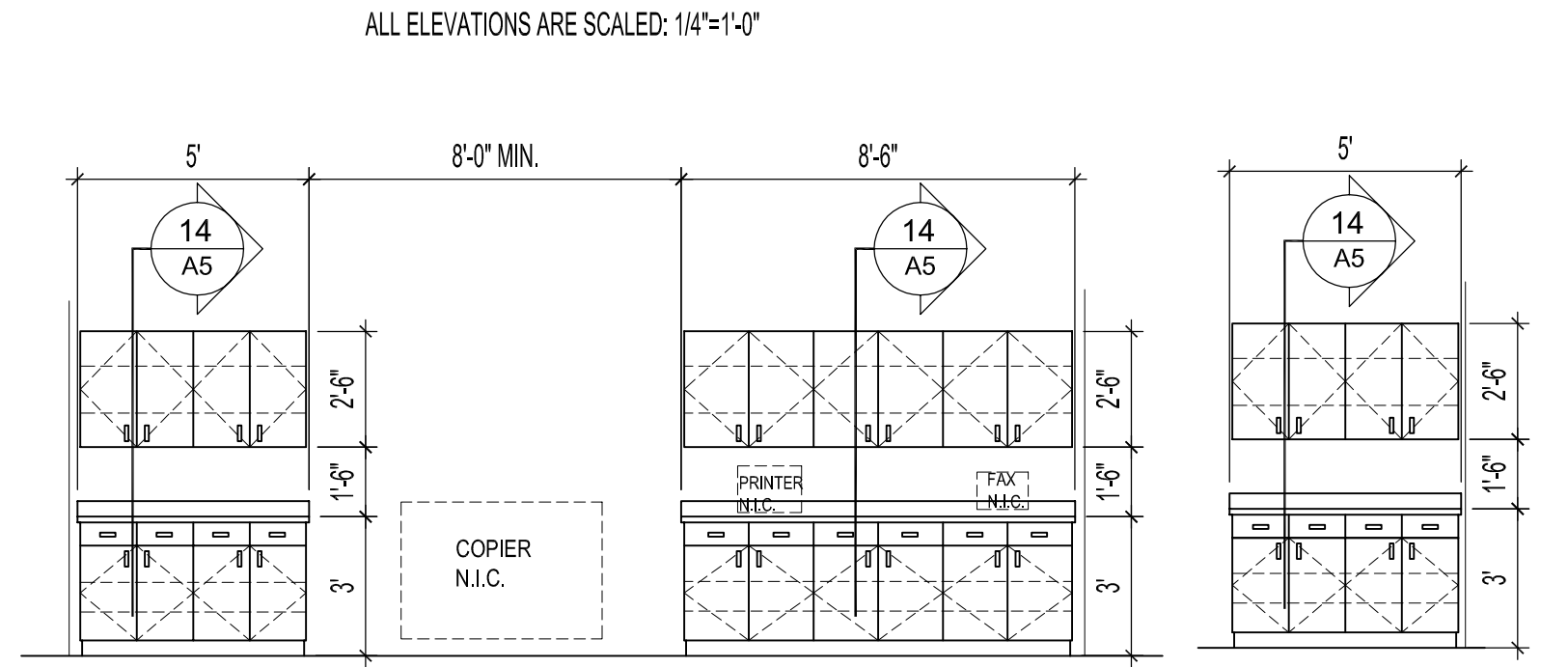
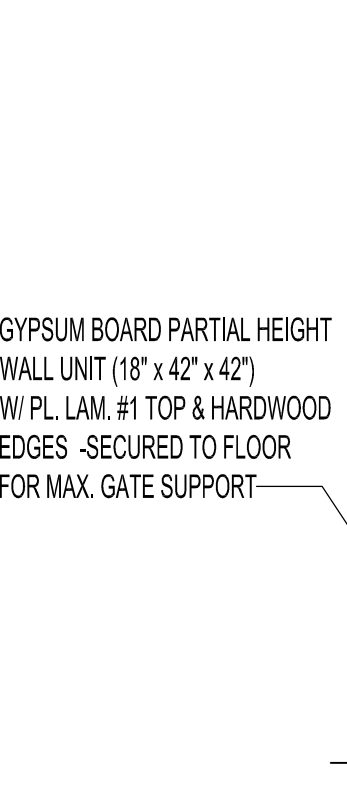
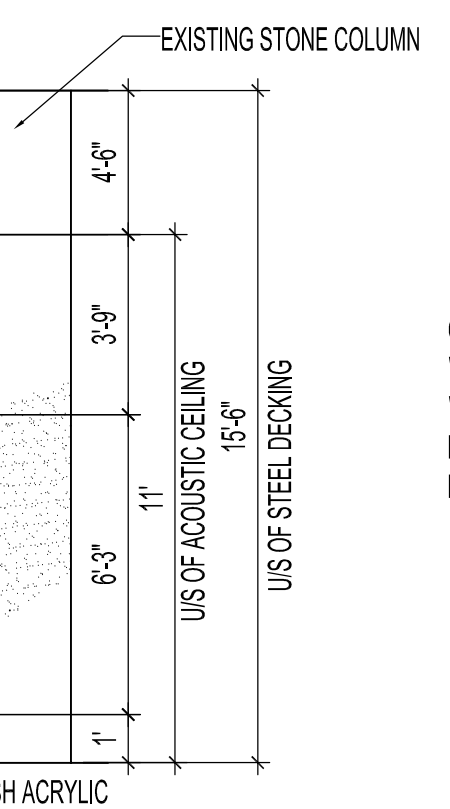
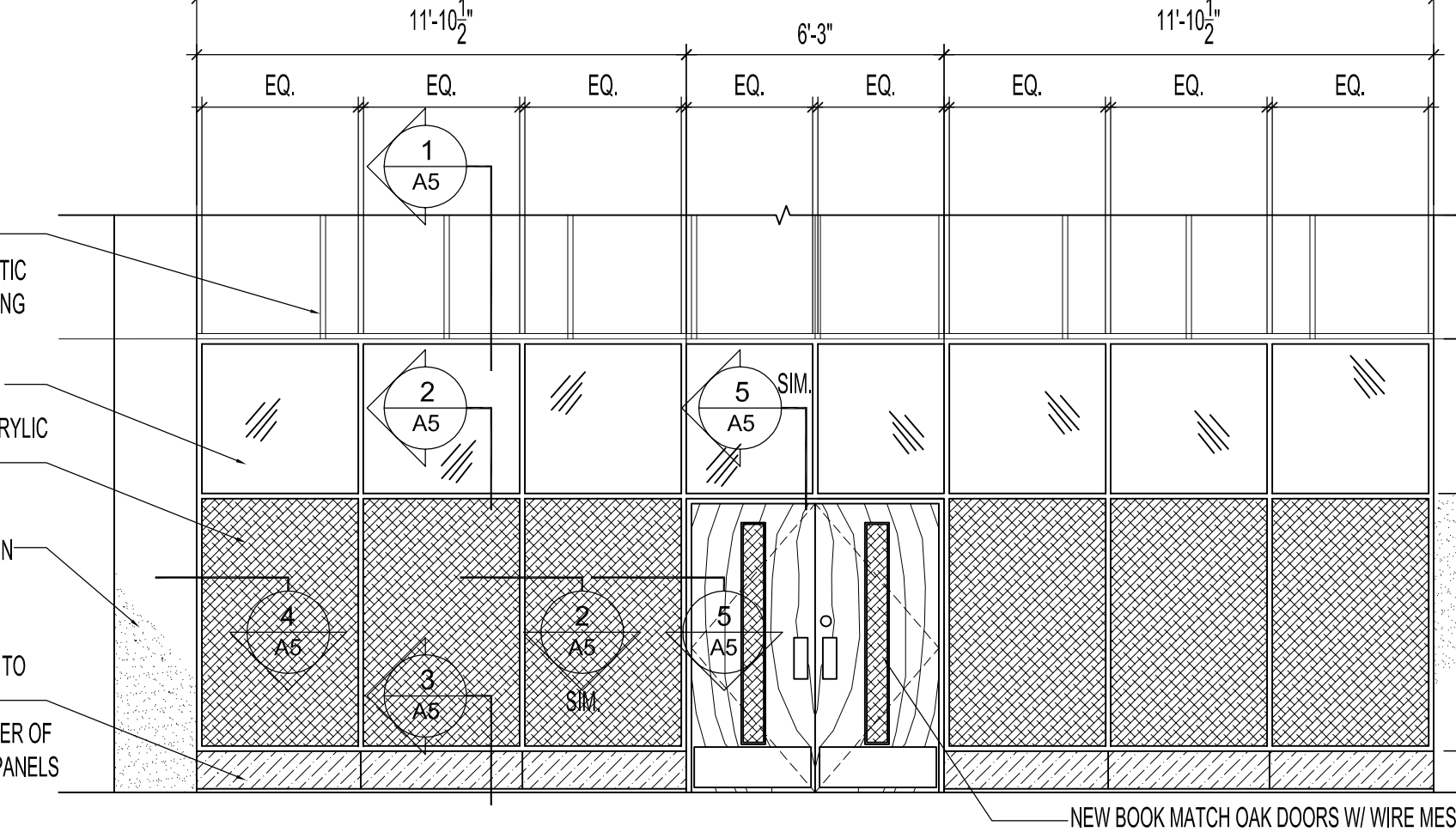
1. PROVIDE HORIZONTAL MICRO BLINDS FOR OFFICES 209 & 210 BY NEW VIEW BLINDS #213 "WHITE GOLD" TO FIT INSIDE GLAZING STOPS OF LOWER GLAZED SIDELITES. (APPROX. SIZE 2 @ 2'-10 1/2" x 6'-2")
2. PROVIDE MECO SHADE MS CHAIN OPERATED ROLLER BLINDS W/ DARK BRONZE FASCIA & BROWN HARDWARE. SEWN HEMBAR AS DISTRIBUTED BY VBG DISTRIBUTORS 688 1596, THERMOVEIL, COLOUR #1304 "BLACK / BROWN". INSTALLED PER MANUFACTURER'S INSTRUCTIONS. APPROXIMATE WIDTHS SHOWN ON DWG. & LENGTHS ARE APPROX. 10'-7 1/2".
3. RELOCATED GLAZING UNIT (BETWEEN RECEPTION WAITING 207 & CORRIDOR 206). PROVIDE SANDBLASTED TYPE WINDOW FILM ON GLASS BY 3M "FROSTED GOLD". APPROX. SIZE 21'-2" x 11'-0". CUT IN PATTERN TO FOLLOW.

FURNITURE /PARTITIONS NOTE:

4. ALL FURNITURE & FURNITURE PARTITIONS ARE REFERENCE USE ONLY & ARE NOT IN CONTRACT. ONLY ELEVATIONS ON PLAN ('A' TO 'J') ARE IN CONTRACT.

ORIGINAL SEALED BY:
 R.K. FOK LI Arch.
 Date: 2005.11.15

SECOND FLOOR PLAN - FURNITURE & MILLWORK
 SCALE: 1/8"=1'-0"



1 ADDED FURNITURE/PARTITION NOTE 4.
 REMOVED "FUTURE TINT & STRIP" IN WINDOW TREATMENT FINISHES IN NOTE 3.
 CHANGED WINDOW TREATMENT TYPE "ECOVEIL #1004" TO "THERMOVEIL #1304" IN WINDOW TREATMENT FINISHES IN NOTE 2.
 ADDED WINDOW TREATMENT REFERENCE NUMBERS TO PLAN.

MMK 2005.11.28

NO.	REVISION/DESCRIPTION	BY	DATE

DRAWN BY: MMK
CHECKED BY: USER
APPROVED: USER
 DATE: 2005.11.15

CITY OF WINNIPEG
 PLANNING, PROPERTY & DEVELOPMENT DEPARTMENT
 CIVIC ACCOMMODATIONS DIVISION
 300 - 65 GARRY ST. R3C 4K4

PROJECT: ADMINISTRATION BUILDING
SECOND FLOOR RENOVATIONS
CONVERSION TO OFFICE AREA
 510 MAIN STREET

SHEET TITLE: SECOND FLOOR PLAN
 FURNITURE & MILLWORK
 & ELEVATIONS

SCALE: AS NOTED
 PROJECT NO.: 2004-180-06
 SHEET NO.: A4R1
 DRAWING SHEET SIZE: A1 (841mm x 594mm) PLOT 1:1