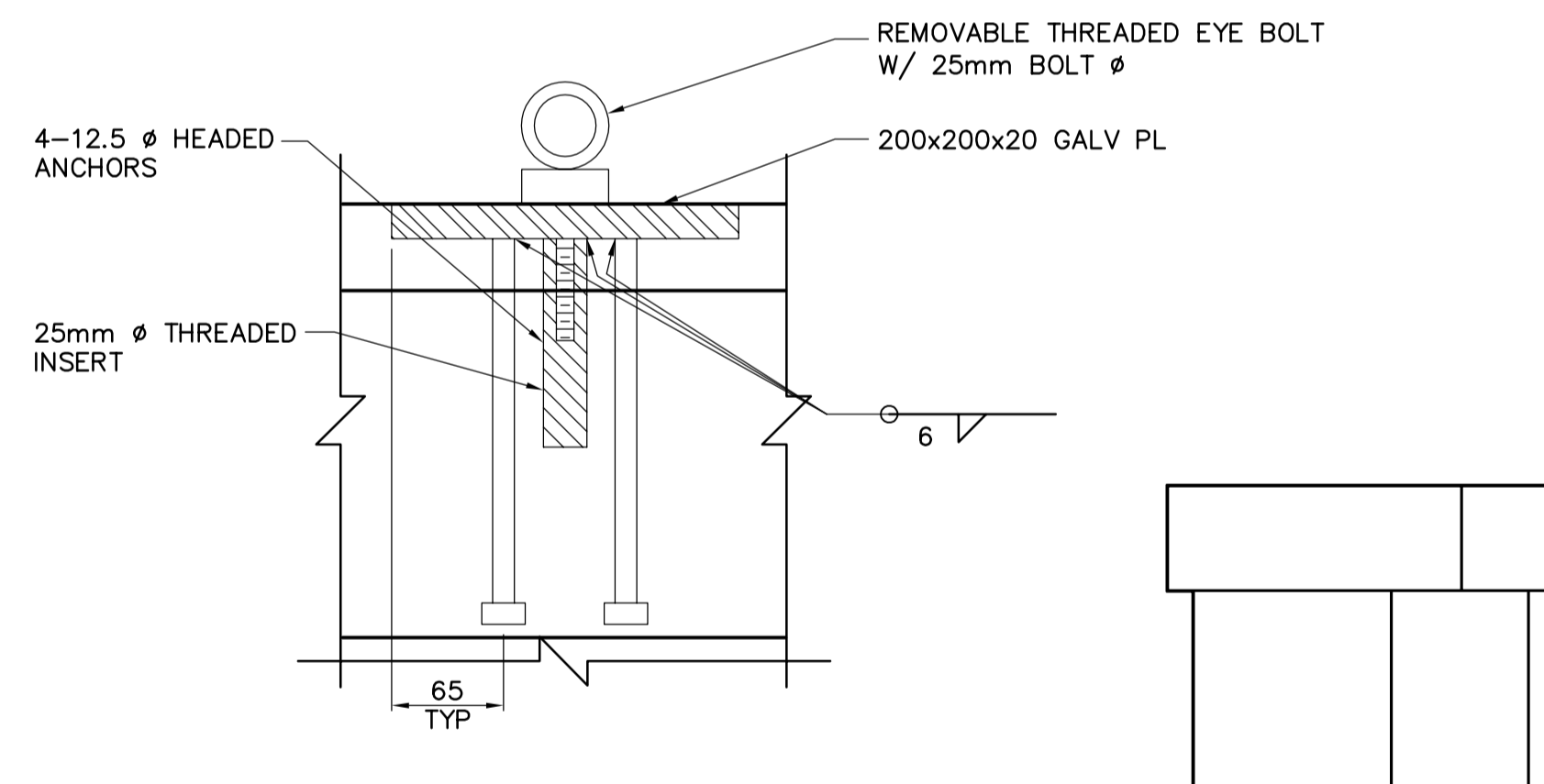
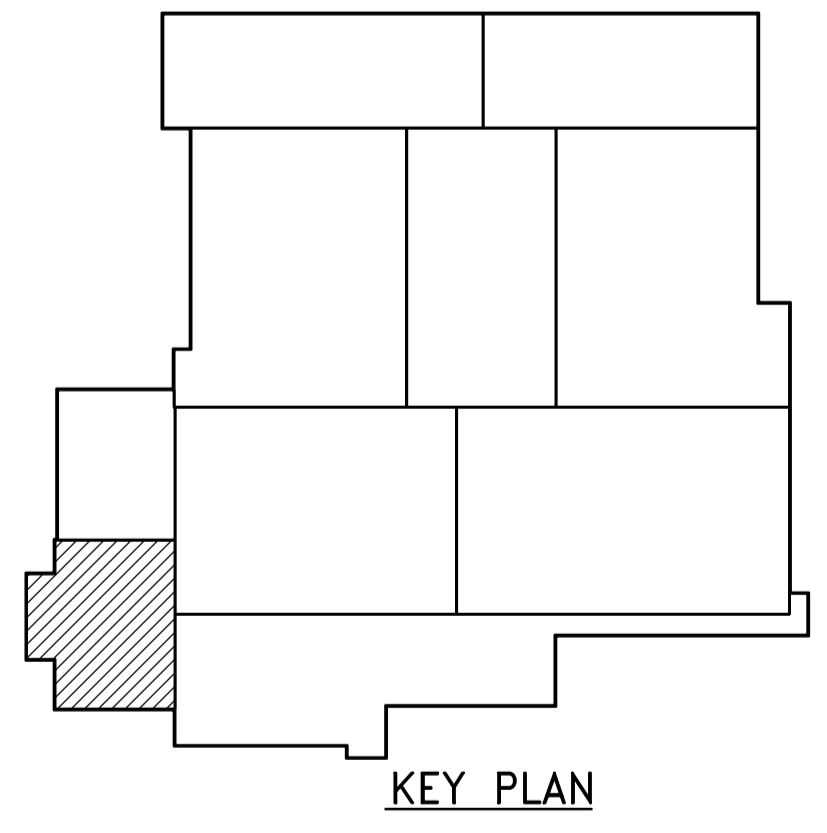


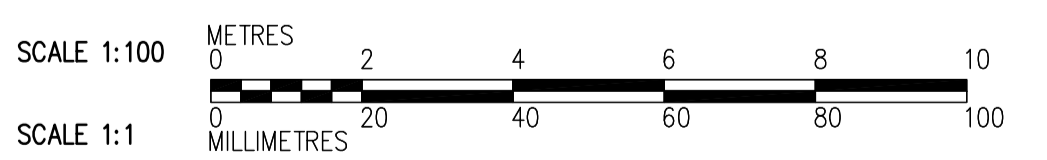
SECTION B-B
1:10



DETAIL 1-1
1:4



KEY PLAN



- NOTES:**
1. FOR CORNER REINF SEE 4 WB-S0442
 2. DESIGN LIVE LOAD IS 14.4 kPa
 3. FOR BEAM SCHEDULE SEE DWG WI-S0515.
 4. DISCONTINUE REBAR AT PRECAST PANEL OPENINGS, SEE 2 WB-S0441
 5. MASONRY SUPPORT AROUND EXTERIOR SEE 4 WB-S0448
 6. BACKFILL UP TO FINISHED GRADE (EL 237.00±) ON WEST AND SOUTH SIDES OF RAW WATER PUMP STATION, WHERE CORBEL ARE SHOWN, BACKFILL UP TO 700mm BELOW TOP OF CORBEL

FOR ALL INTERSECTIONS AT WALL ALONG GRIDLINE (B1) BARS A TO F ARE 30M@150

NOT IN CONTRACT

FIRST FLOOR PLAN
1:100

APCML
Certificate of Authorization
CH2M Hill Canada Limited (ON)
No. 1441 Expiry: April 30, 2006

| B.M. ELEV. | NO. | REVISIONS | DATE | BY |
|------------|-----|---------------------|----------|----|
| | 02 | 650-2005 ADDENDUM 3 | 05/11/24 | EL |
| | 01 | 650-2005 ADDENDUM 2 | 05/11/16 | EL |
| | 00 | ISSUED FOR TENDER | 05/10/28 | EL |

CH2MHILL
Frederickson Cooper ARCHITECTS

EarthTech
A Tech International Ltd. Company

| | |
|------------------|---|
| DESIGNED BY: EL | CHECKED BY: AP |
| DRAWN BY: RL | APPROVED BY: AHL |
| SCALE: 1:100 | RELEASED FOR CONSTRUCTION BY: R. SOROKOWSKI |
| DATE: 2005/07/06 | DATE: 2005/10/28 |

ENGINEER'S SEAL
ORIGINAL SIGNED BY: D. KRUGER
DATE: 2005/10/28
CONSULTANT DRAWING NO.: WI-S0111

THE CITY OF WINNIPEG
WATER AND WASTE DEPARTMENT
ENGINEERING DIVISION

WATER TREATMENT PLANT
FOUNDATIONS AND CONCRETE STRUCTURES 1

STRUCTURAL
RAW WATER PUMP STATION AREA
FIRST FLOOR PLAN

CITY FILE NUMBER
SHEET OF
CITY DRAWING NUMBER
1-0601-A-8011-001-02D