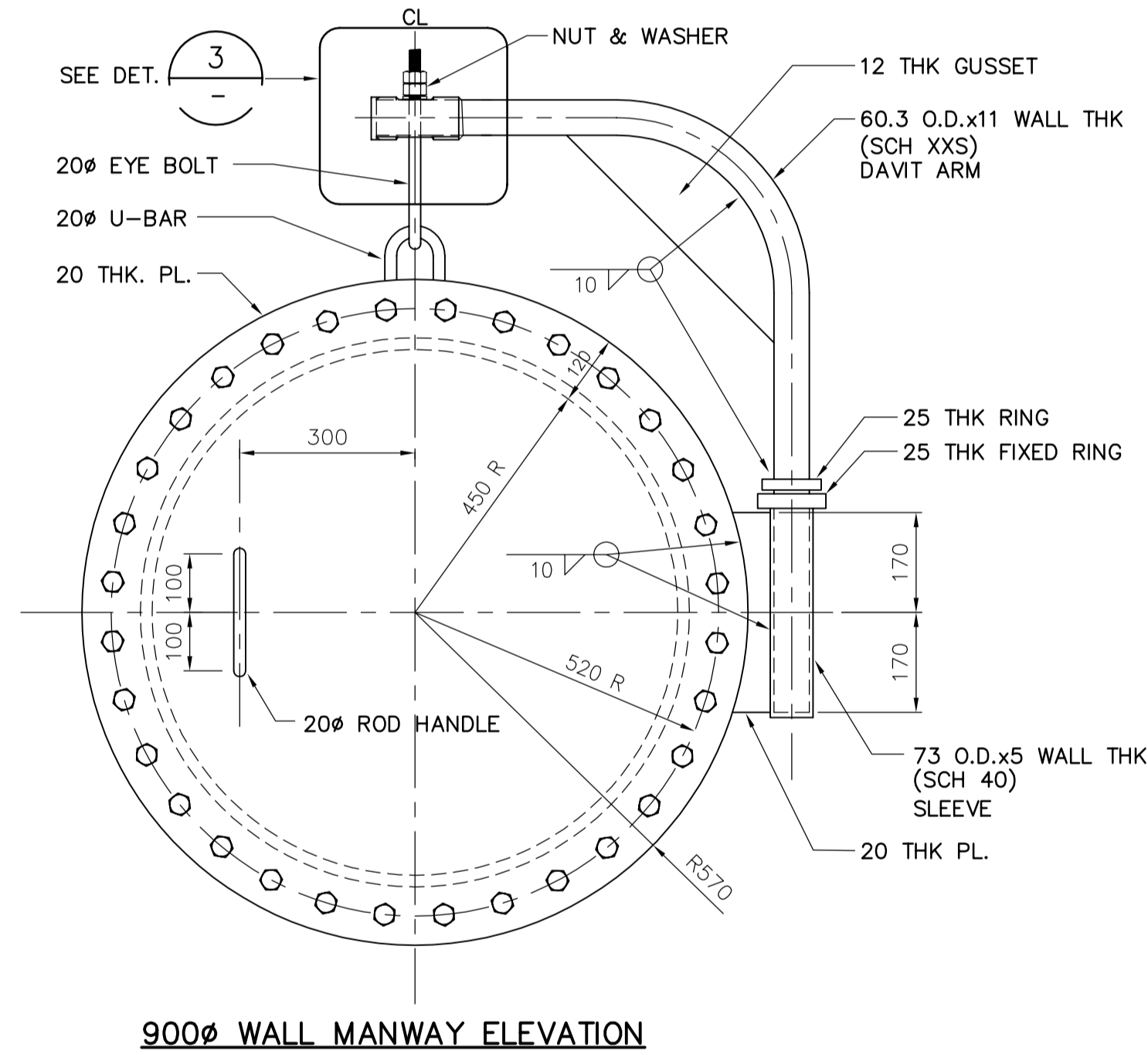
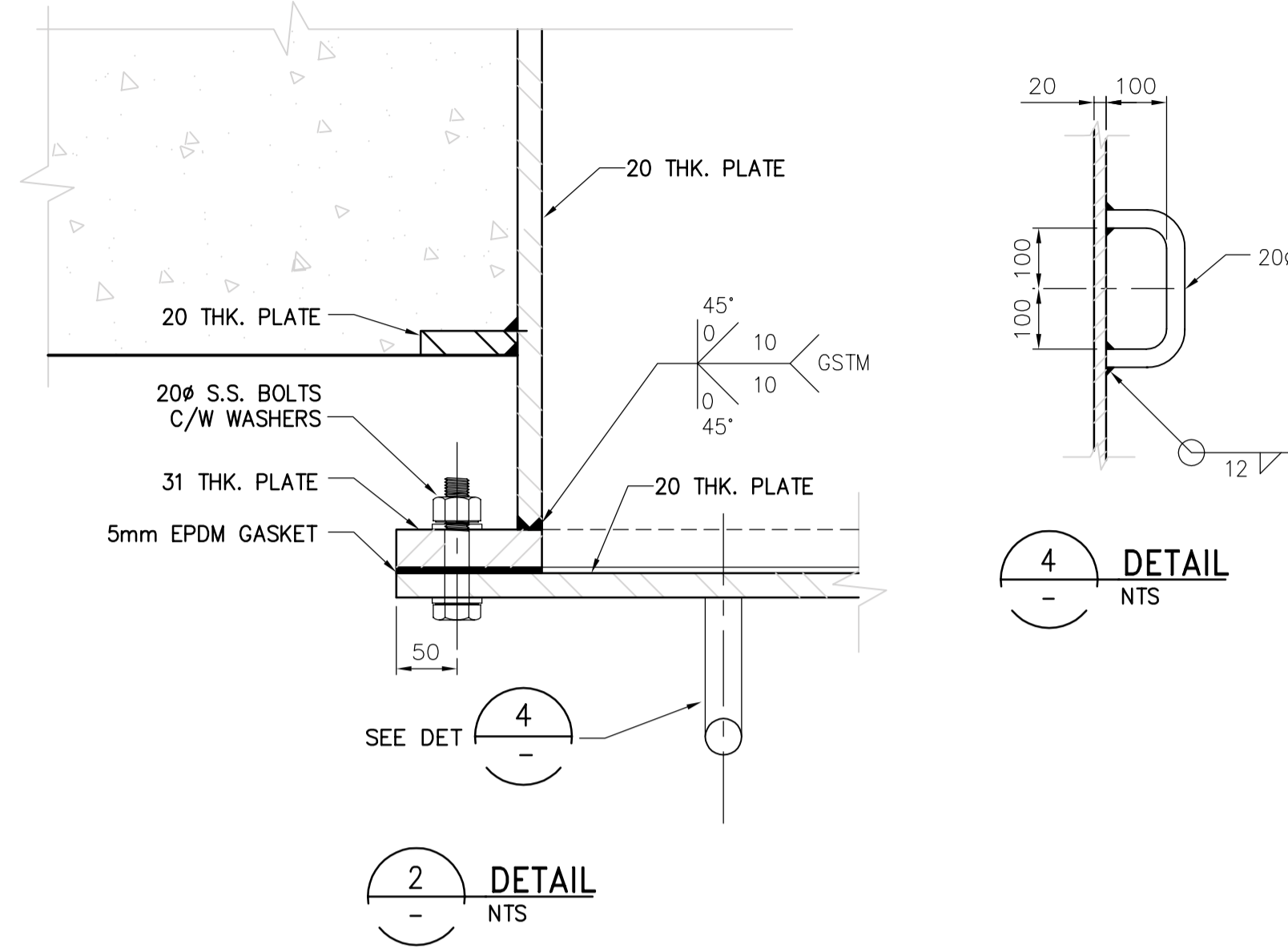


900ø WALL MANWAY PLAN

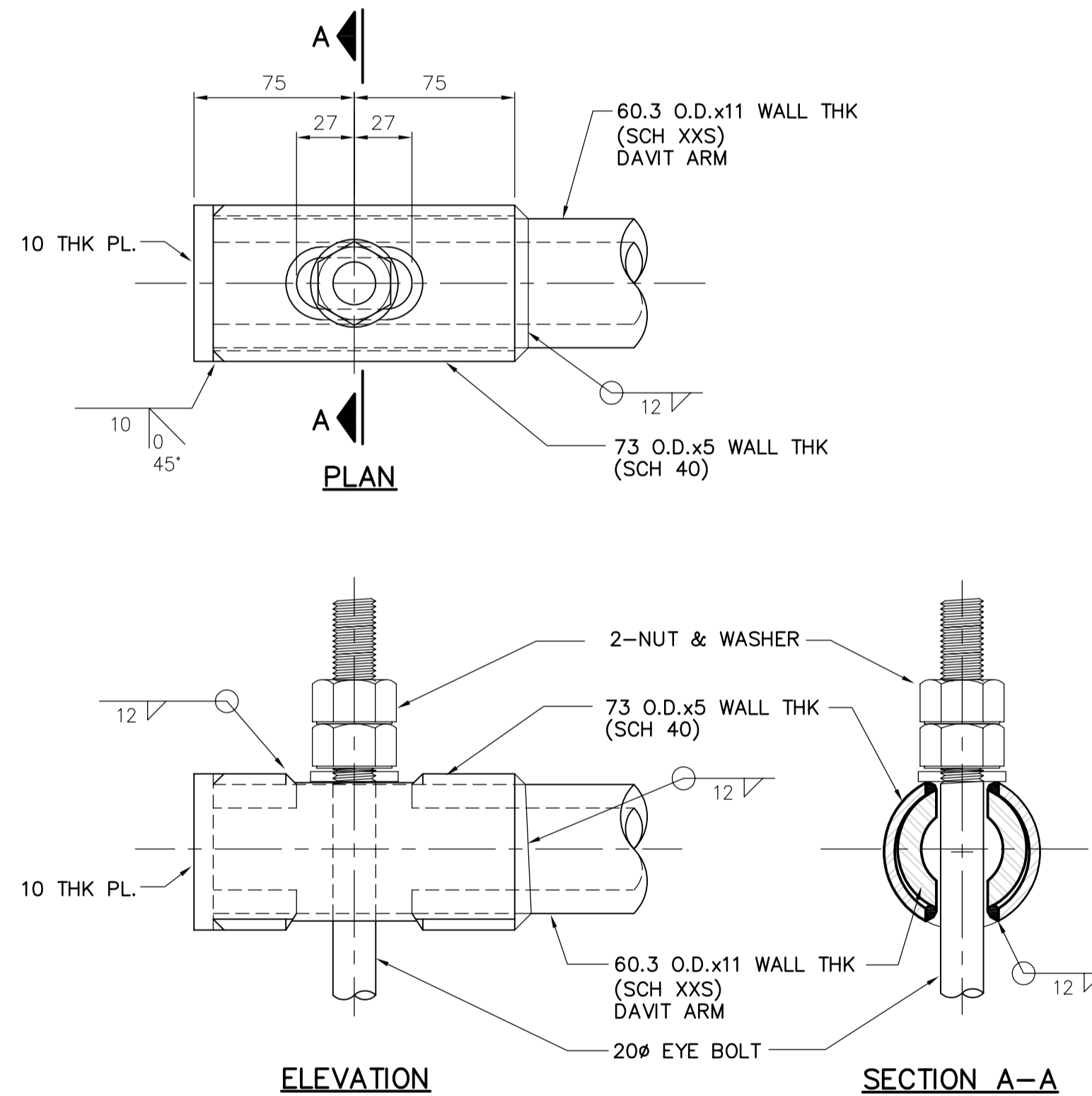


900ø WALL MANWAY ELEVATION

- NOTE:
- 1) FLANGE DRILLING TO ANSI 150#
 - 2) BLIND FLANGE MATERIAL TO MATCH WALL PIPE
 - 3) FABRICATE DAVIT ARM AND SLEEVE FROM ASTM A106B STEEL PIPE
 - 4) PRIME AND PAINT
 - 5) SUBMIT SHOP DRAWING FOR REVIEW



1 DETAIL
NTS

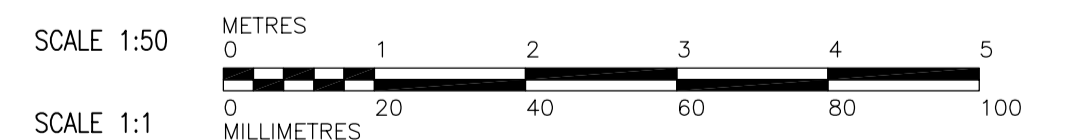


ELEVATION

SECTION A-A



3 DETAIL
NTS



 Certificate of Authorization CH2M Hill Canada Limited (ON) No. 1441 Expiry: April 30, 2006	B.M. ELEV.	 Frederickson Cooper ARCHITECTS	 A Tyco International Ltd. Company	ENGINEER'S SEAL	 THE CITY OF WINNIPEG WATER AND WASTE DEPARTMENT ENGINEERING DIVISION
				DESIGNED BY: DK/DKC CHECKED BY: AP DRAWN BY: PM APPROVED BY: DJT SCALE: AS SHOWN RELEASED FOR CONSTRUCTION BY: R. SOROKOWSKI DATE: 2005/11/10 DATE: 2005/11/24	
				WATER TREATMENT PLANT INLET WORKS AND RAW WATER PUMPING FOUNDATIONS AND CONCRETE STRUCTURES 1	
				PROCESS MECHANICAL STANDARD DETAILS	
				CITY FILE NUMBER SHEET OF CITY DRAWING NUMBER 1-0601B-D-M9442-001-00D	