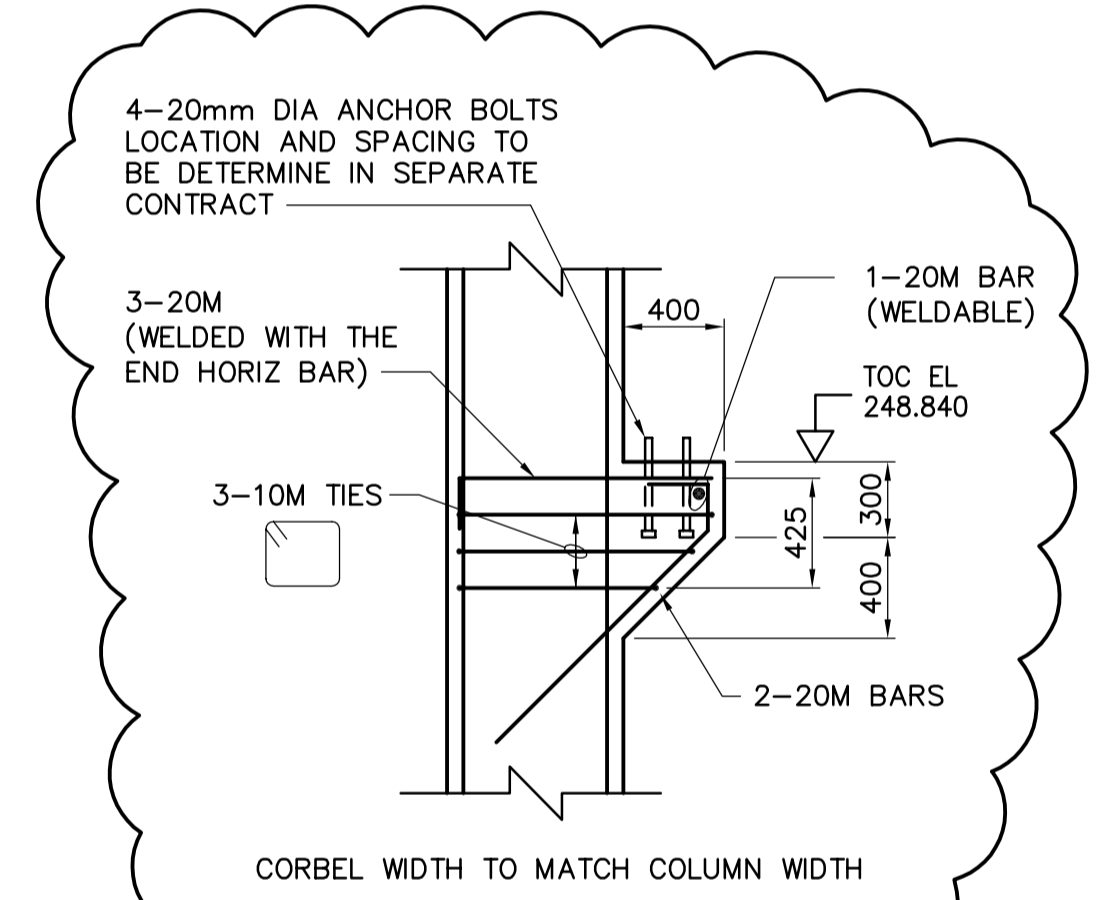
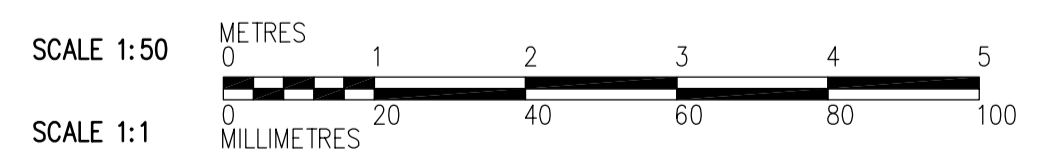


1
-
NTS



2
-
NTS

A
-
SECTION
WI-S0101 1:50
WI-F0105, WI-S0111,
WI-S0131, WI-S0141



<p>Certificate of Authorization CH2M Hill Canada Limited (ON) No. 1441 Expiry: April 30, 2006</p>	<p>Frederickson Cooper ARCHITECTS</p>		<p>A Tyco International Ltd. Company</p>		<p>ENGINEER'S SEAL</p>	<p>THE CITY OF WINNIPEG WATER AND WASTE DEPARTMENT ENGINEERING DIVISION</p>
	DESIGNED BY: EL	CHECKED BY: AP	<p>WATER TREATMENT PLANT</p>		CITY FILE NUMBER	
	DRAWN BY: RL	APPROVED BY:	<p>FOUNDATIONS AND CONCRETE STRUCTURES 1</p>		SHEET OF	
	SCALE: 1:50	RELEASED FOR CONSTRUCTION BY:	<p>STRUCTURAL RAW WATER PUMP STATION AREA SECTION</p>		CITY DRAWING NUMBER 1-0601-A-80201-01-01D	
NO. REVISIONS	DATE	BY	DATE	2005/08/02	DATE	CONSULTANT DRAWING NO. WI-S0201