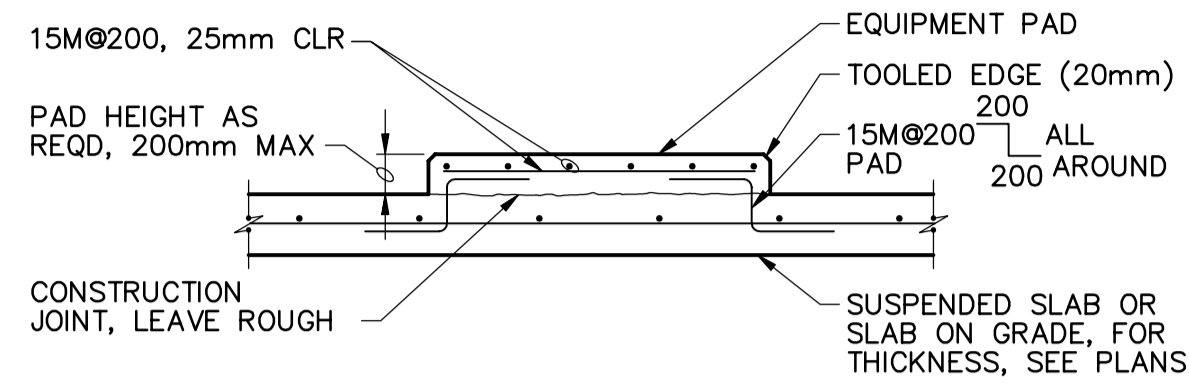


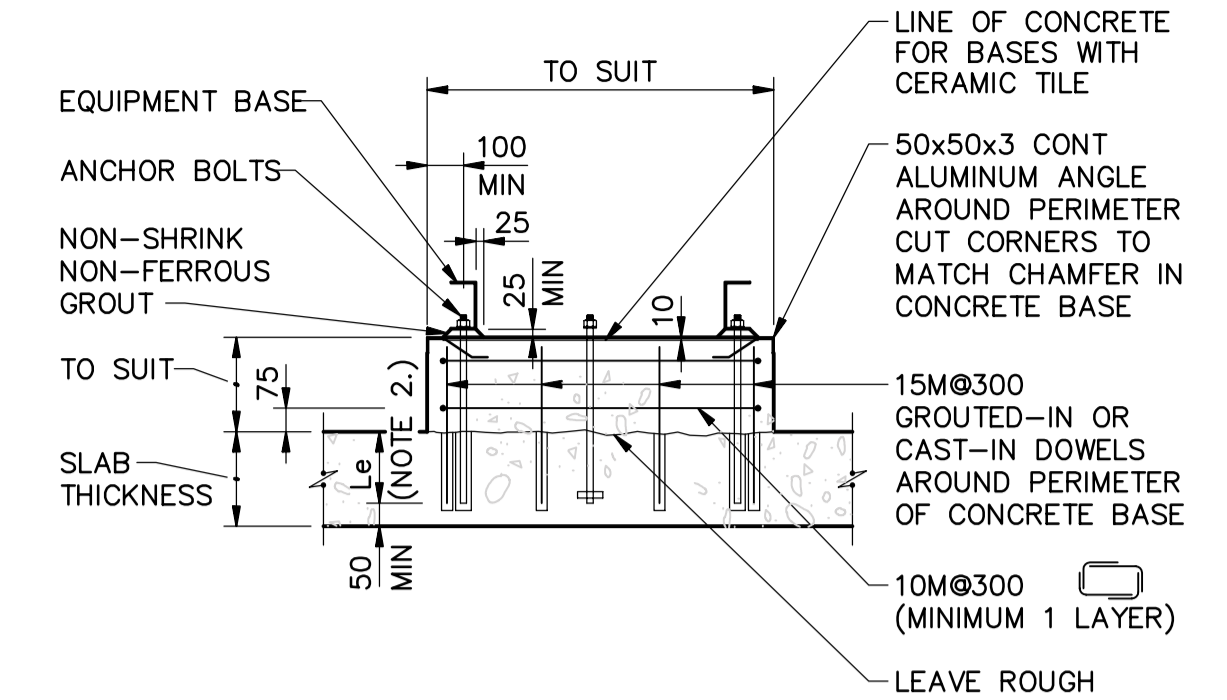
TYPE C

1 CONCRETE EQUIPMENT PAD
- N.T.S.



- NOTES:**
- SEE EQUIPMENT PAD NOTES.
 - WHEN ANCHORAGE OF EQUIPMENT TO SLAB IS REQUIRED, USE SST WEDGE ANCHORS SPECIFIED.

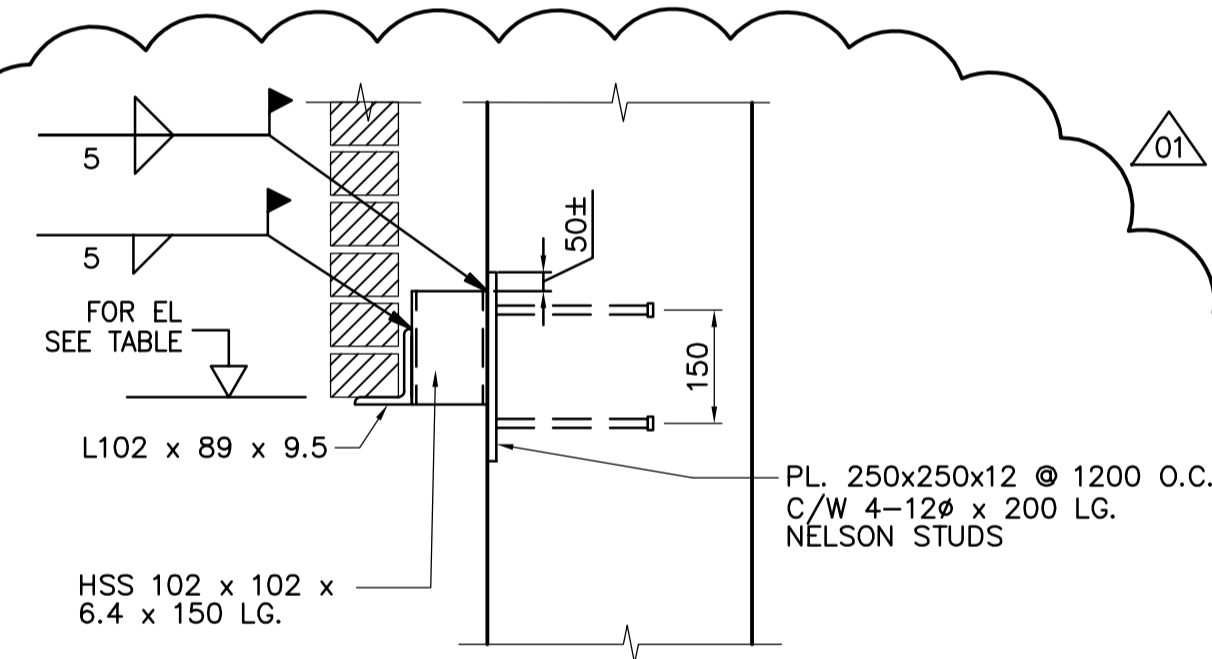
2 EQUIPMENT PAD
- N.T.S.



SECTION

- NOTES:**
- DIMENSIONS OF BASES, ANCHOR BOLTS, SIZES AND LOCATIONS TO SUIT EQUIPMENT SUPPLIED. (SEE MECHANICAL/PROCESS DWGS)
 - FOR GROUTED-IN DOWEL EMBEDMENT LENGTH, L_e , REFER TO DETAIL
 - ANCHOR BOLT EMBEDMENT DETAILS, PRESTRESSING, ETC AS REQUIRED BY EQUIPMENT MANUFACTURER.
 - FOR ANCHOR BOLT DETAILS, SEE

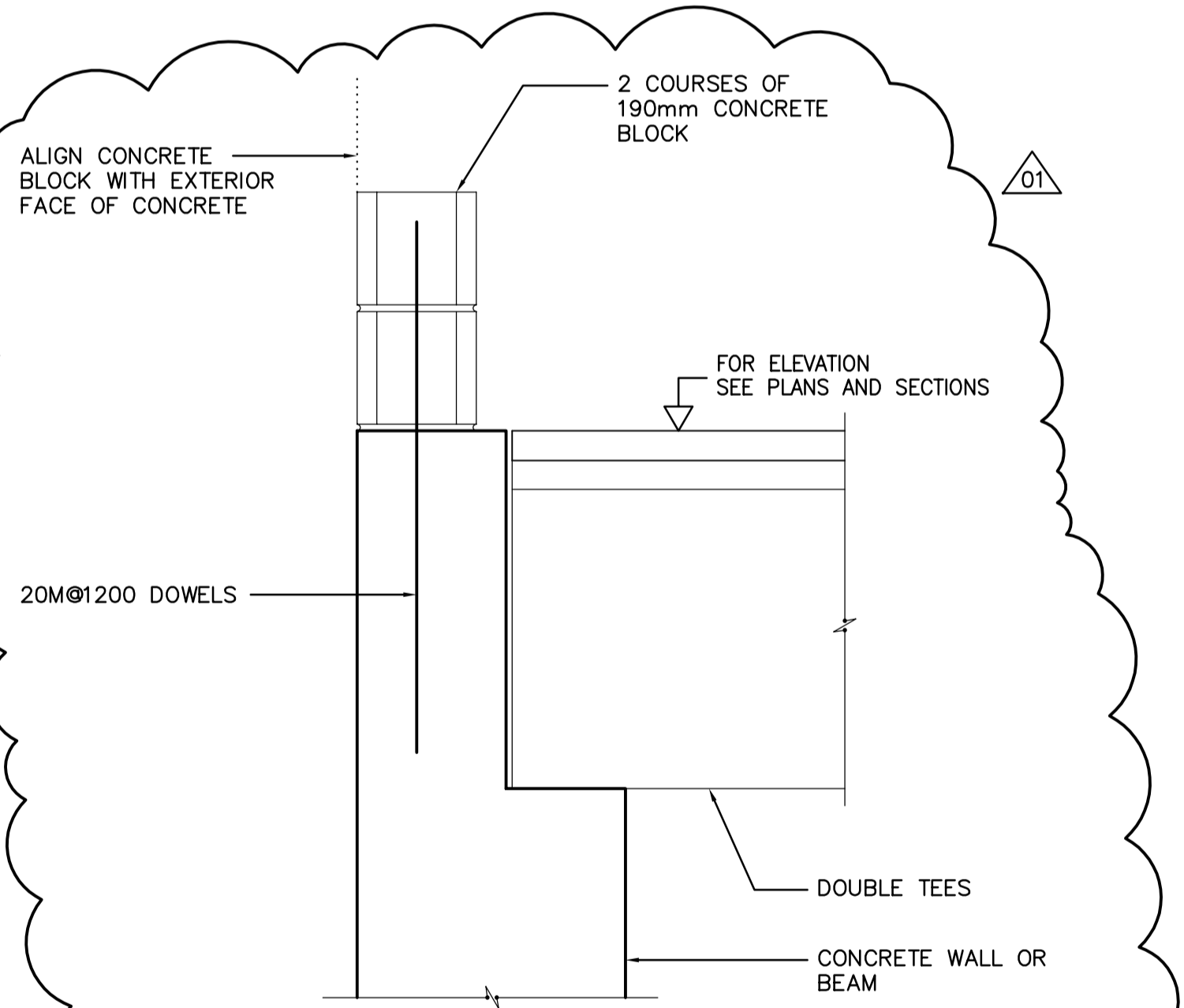
3 TYPICAL CONCRETE EQUIPMENT PAD
- N.T.S.



LOCATION	ELEVATION
NORTH ELEVATION	237.170
WEST ELEVATION	237.170
SOUTH ELEVATION FROM B1 - BN TO SE CORNER	236.670
EAST ELEVATION FROM SE CORNER TO BC FROM BC TO NE CORNER	236.670 237.170

NOTE:
ANGLE AND HSS TO BE SUPPLIED IN THIS CONTRACT AND INSTALLED IN SEPARATE CONTRACT.

4 MASONRY SUPPORT AT FOUNDATION
- N.T.S.



NOTE:
DOWELS TO BE PROVIDED AND INSTALLED IN THIS CONTRACT. CONCRETE BLOCKS TO BE PROVIDED AND INSTALLED IN SEPARATE CONTRACT.

5 PARAPET DETAIL
- N.T.S.

APCGM
Certificate of Authorization
CH2M Hill Canada Limited (ON)
No. 1441 Expiry: April 30, 2006

B.M. ELEV.	DATE	BY
01	650-2005 ADDENDUM 2	05/11/16 DK
00	ISSUED FOR TENDER	05/10/28 DK
NO.	REVISIONS	DATE BY

CH2MHILL Frederickson Cooper ARCHITECTS	EarthTech A Tyco International Ltd. Company
DESIGNED BY: DK	CHECKED BY: AP
DRAWN BY: EK	APPROVED BY:
SCALE: NTS	RELEASED FOR CONSTRUCTION BY:
DATE: 2005/10/24	DATE:

ENGINEER'S SEAL
CONSULTANT DRAWING NO. WB-S0448

THE CITY OF WINNIPEG WATER AND WASTE DEPARTMENT Winnipeg ENGINEERING DIVISION	CITY FILE NUMBER
WATER TREATMENT PLANT	SHEET OF
FOUNDATIONS AND CONCRETE STRUCTURES 1	CITY DRAWING NUMBER
STRUCTURAL	1-060B-D-80448-01-0D
STANDARD DETAILS	