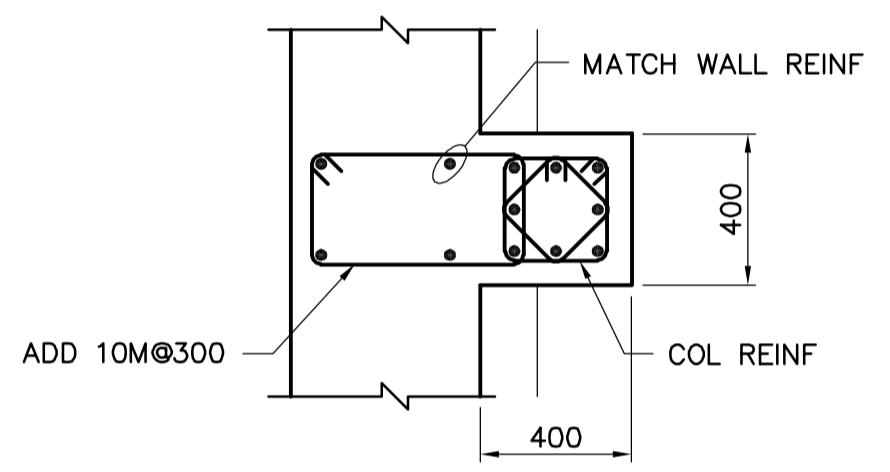
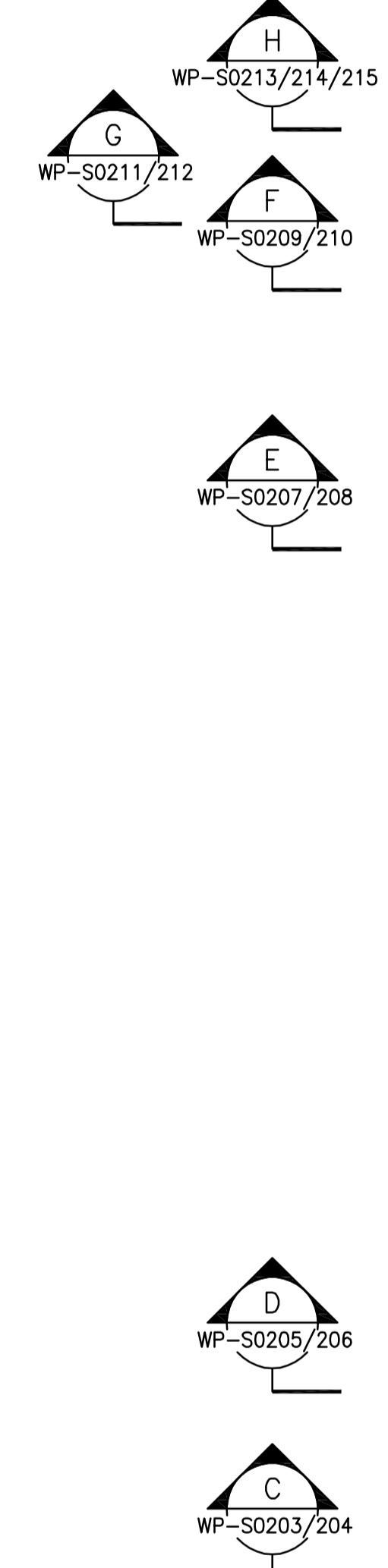


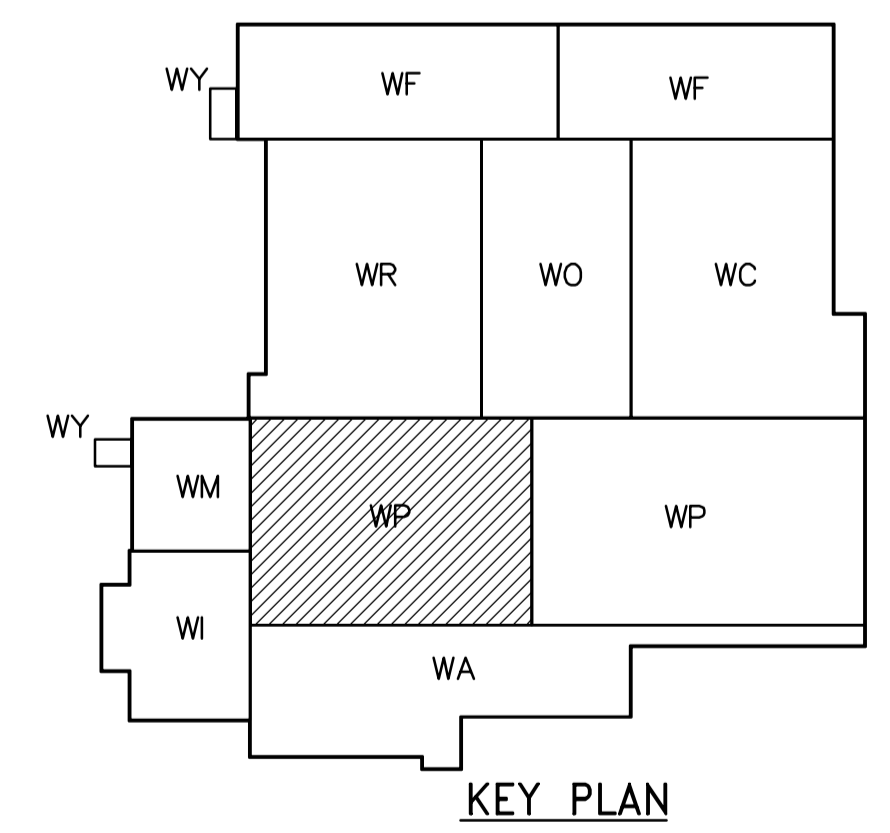
- NOTES:**
- FOR BEAM AND COLUMN SCHEDULE SEE DWG WP-S0515.
 - PC 'X' - DENOTES PILE CAP TYPE, SEE DWG WP-S0401 FOR DETAILS.
 - ENCASE ALL PIPING UNDER BUILDING IN CONCRETE. SEE 1, 2, 4. WB-S0458, WB-S0458, WB-S0458



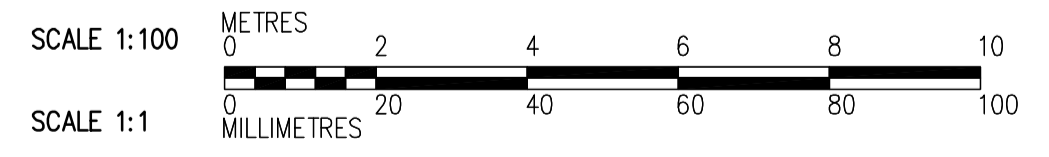
- REBAR LEGEND:**
- TOP BARS
 - BOTTOM BARS



1 - 1:20
DETAIL



KEY PLAN



FIRST FLOOR PLAN
1:100



NO.	REVISIONS	DATE	BY
01	583-2005 ADDENDUM 3	06/03/10	RZ
00	ISSUED FOR TENDER	06/02/03	RZ

CH2MHILL Frederickson Cooper ARCHITECTS		EarthTech A Tetra International Ltd. Company	
DESIGNED BY	RZ	CHECKED BY	AP
DRAWN BY	RL	APPROVED BY	DJT
SCALE:	1:100	RELEASED FOR CONSTRUCTION BY:	R. SOROKOWSKI
DATE	2005/06/28	DATE	2006/02/08

ENGINEER'S SEAL
ORIGINAL SIGNED BY
D. KRUGER
2006/02/06
CONSULTANT DRAWING NO.
WP-S0111

THE CITY OF WINNIPEG
WATER AND WASTE DEPARTMENT
ENGINEERING DIVISION

WATER TREATMENT PLANT
FLOCCULATION AND DAF
FOUNDATIONS AND CONCRETE STRUCTURES

STRUCTURAL
FLOC/DAF AREA 1
FIRST FLOOR PLAN

CITY FILE NUMBER
SHEET OF
CITY DRAWING NUMBER
1-060P-A-S011-001-0D