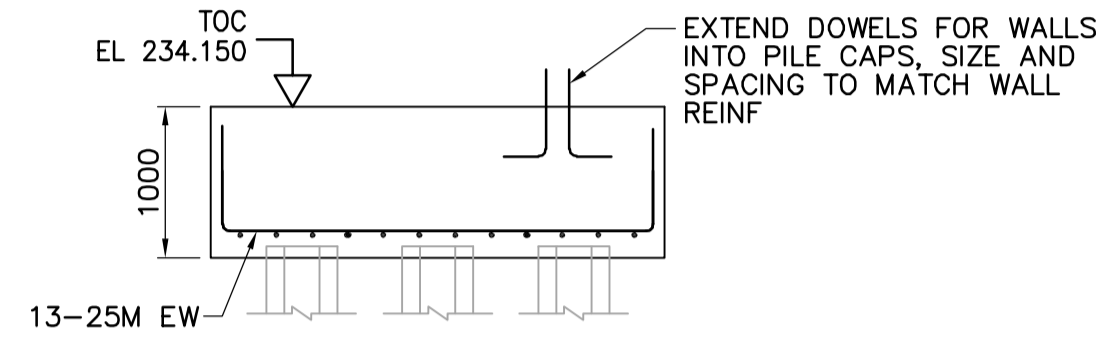
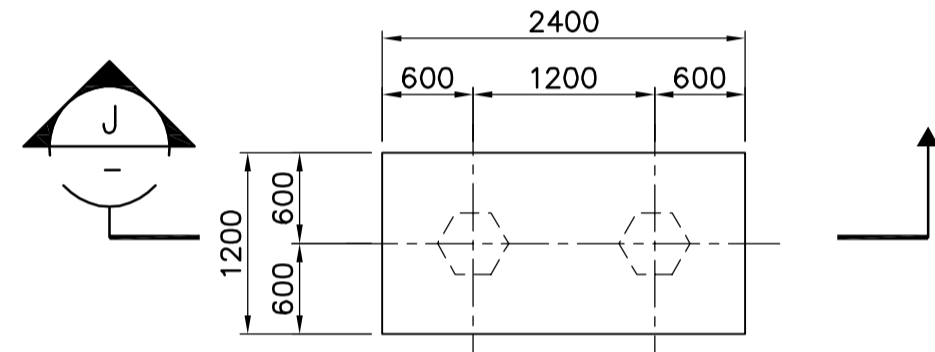


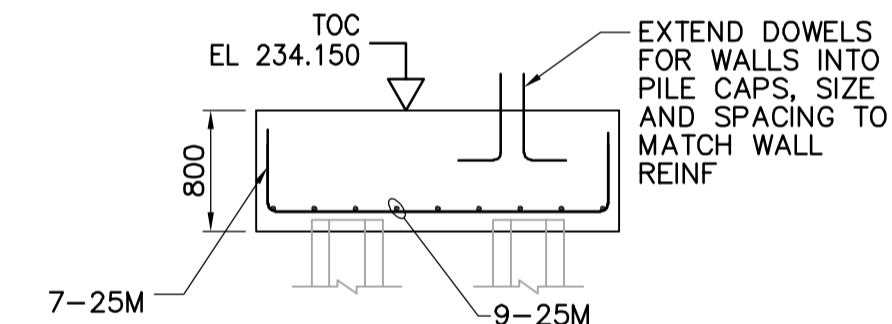
PLAN
5 PILE CAP (2 REQD)



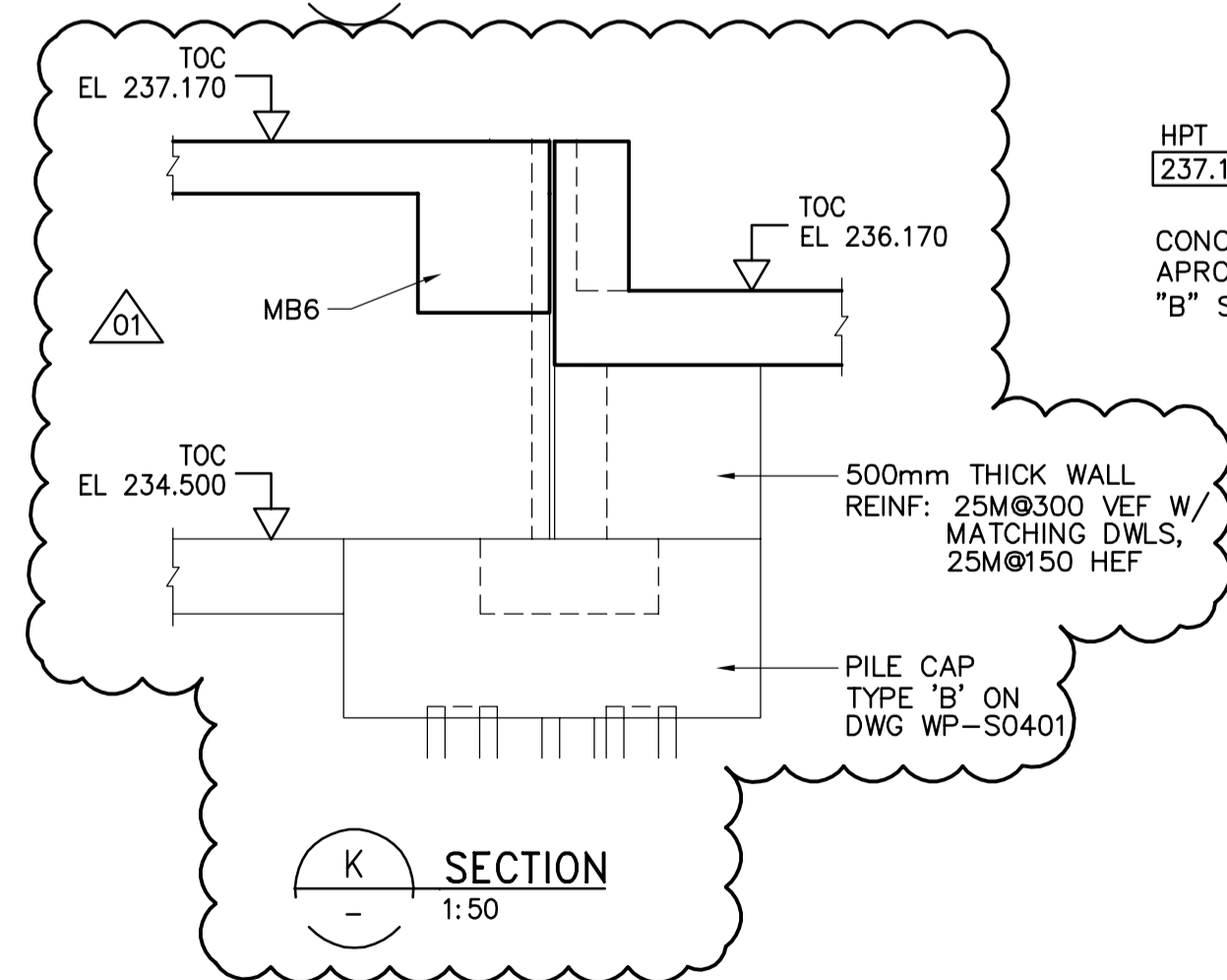
SECTION
H
1:50



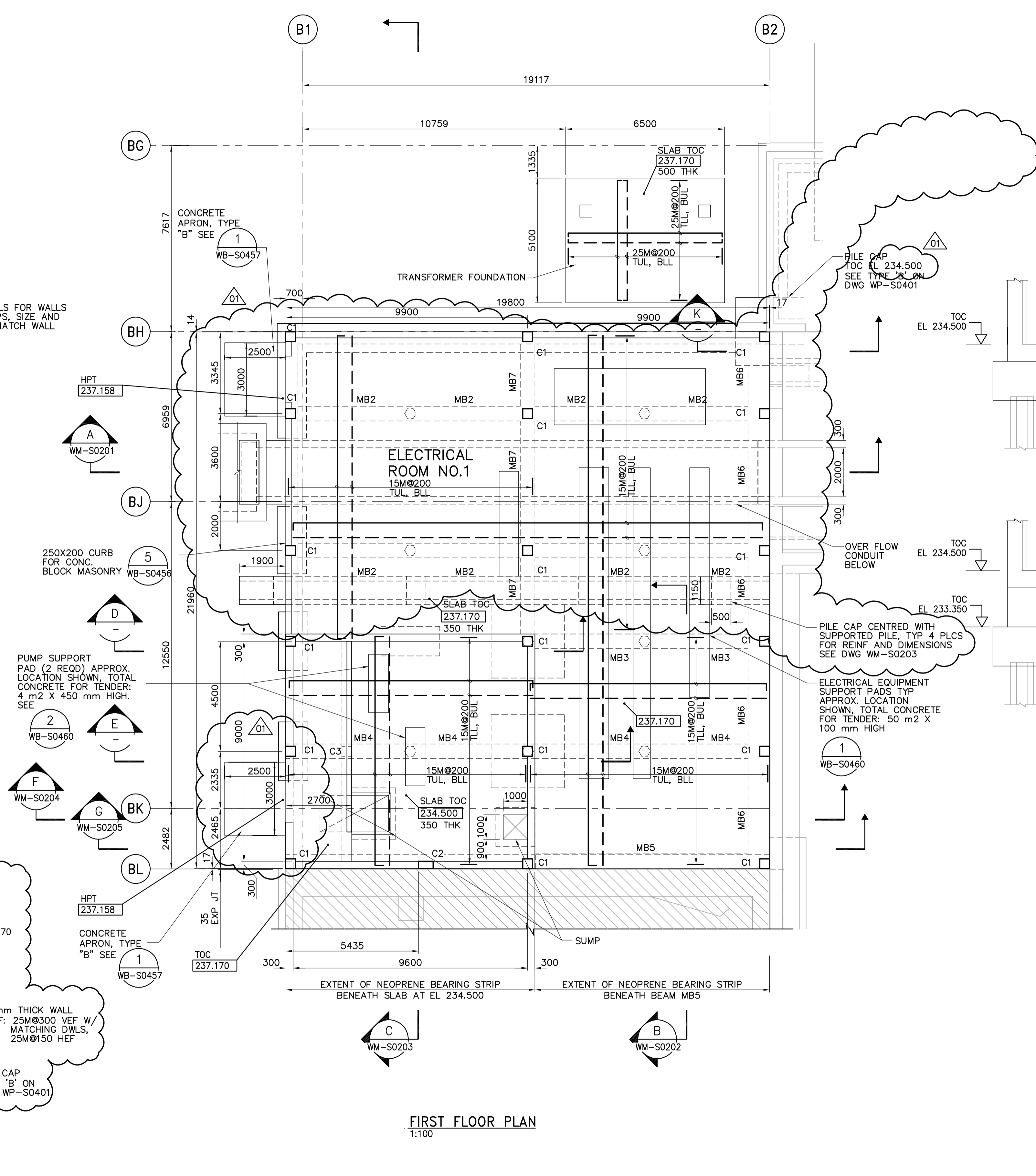
PLAN
2 PILE CAP (3 REQD)



SECTION
J
1:50



SECTION
K
1:50

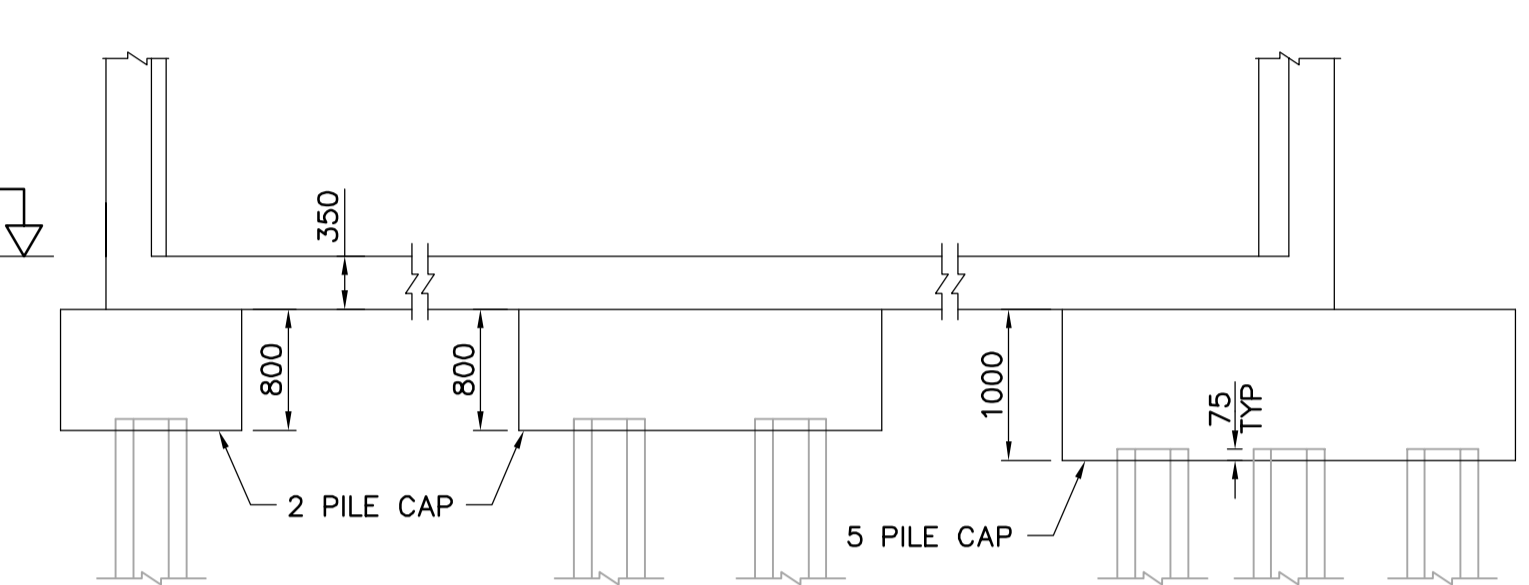


FIRST FLOOR PLAN
1:100

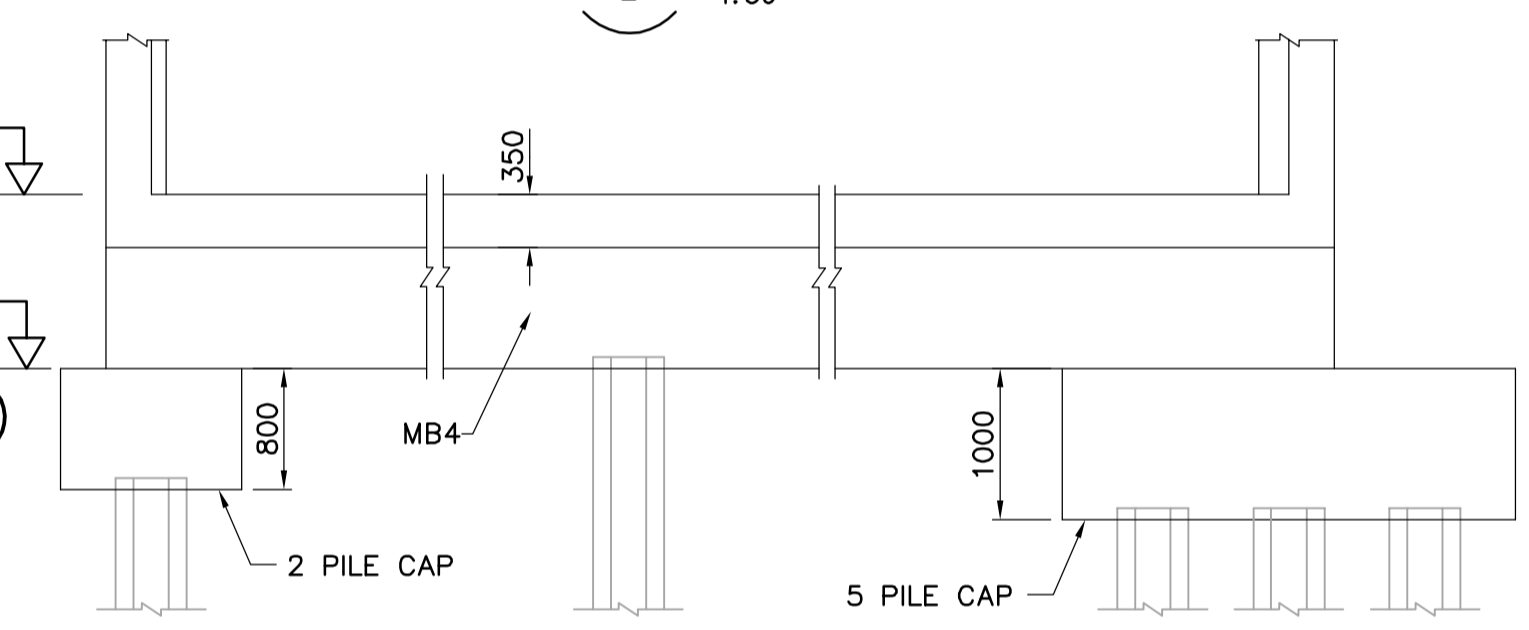
NOTES:

- FOR GENERAL NOTES SEE DRAWING WM-S9002.
- DESIGN LIVE LOAD IS 14.4 kPa.
- FOR BEAM AND COLUMN SCHEDULES REFER TO DRAWING WM-S0515.
- REBAR LEGEND:
——— TOP BARS
- - - - - BOTTOM BARS
- ENCASE ALL PIPING UNDER BUILDING IN CONCRETE.

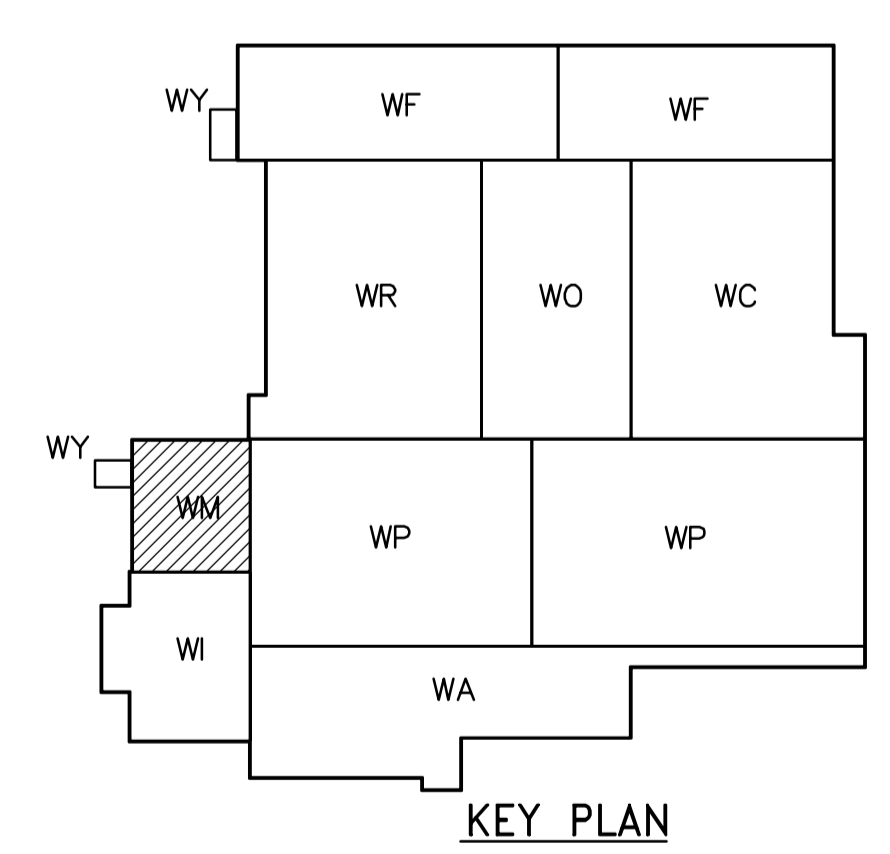
SEE 1, 2, 4
WB-S0458 WB-S0458 WB-S0458



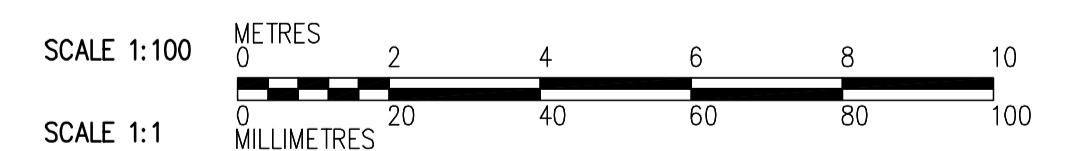
SECTION
D
1:50



SECTION
E
1:50



KEY PLAN



<p>Certificate of Authorization CH2M HILL Canada Ltd. No. 1441 Expiry: April 30, 2006</p>	B.M. ELEV.	<p>Frederickson Cooper ARCHITECTS</p>	<p>A Tetra International Ltd. Company</p>	ENGINEER'S SEAL	<p>WATER TREATMENT PLANT GENERAL PLANT SERVICES/MISCELLANEOUS FOUNDATIONS AND CONCRETE STRUCTURES</p>
		DESIGNED BY EL CHECKED BY AP DRAWN BY RL APPROVED BY DJT SCALE: 1:100 RELEASED FOR CONSTRUCTION BY: R. SOROKOWSKI DATE 2005/09/15 DATE 2006/02/08	ORIGINAL SIGNED BY D. KRUGER 2006/02/06 CONSULTANT DRAWING NO. WM-S0111	CITY FILE NUMBER SHEET OF CITY DRAWING NUMBER 1-060M-A-S011-001-0D	