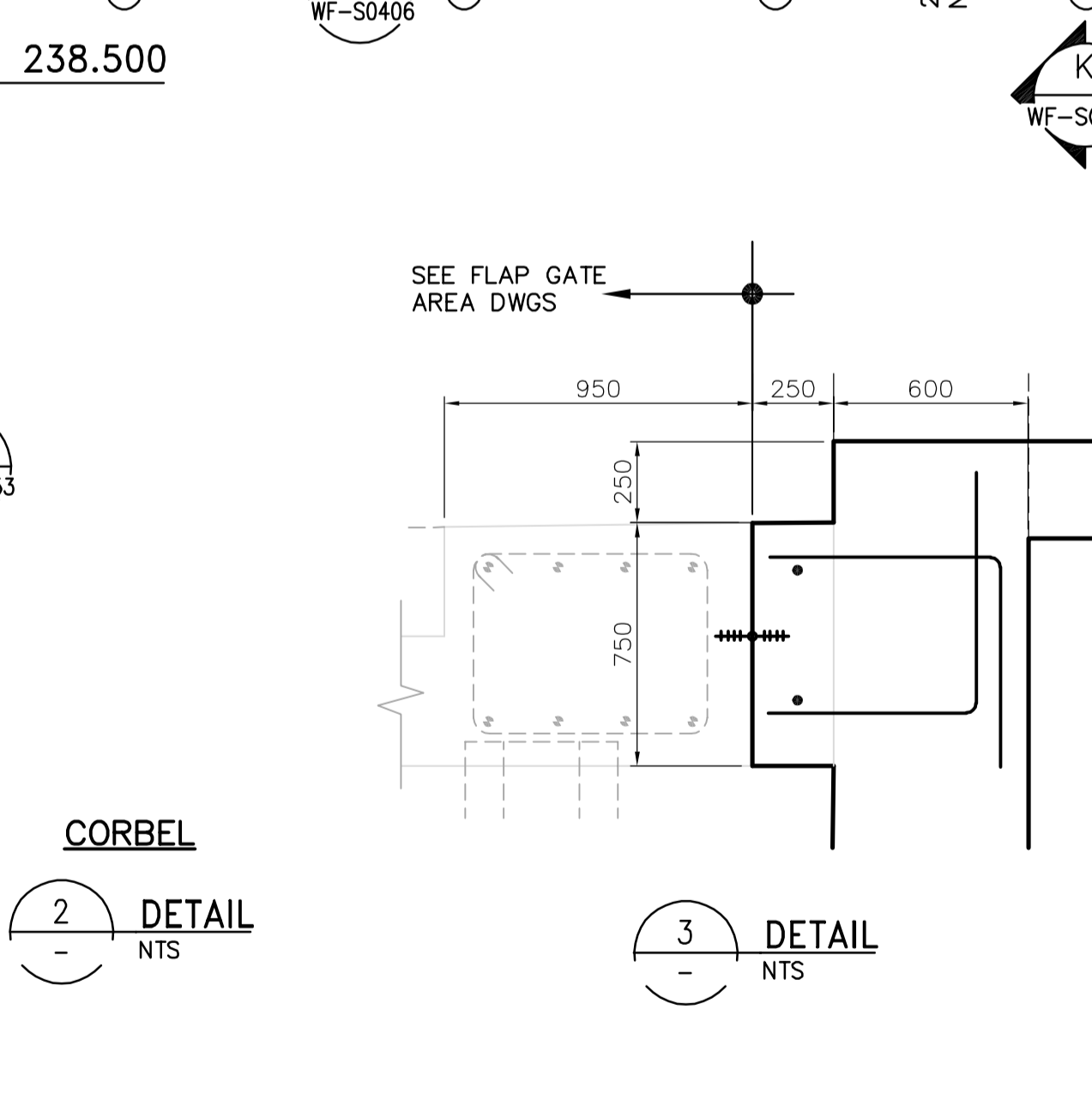
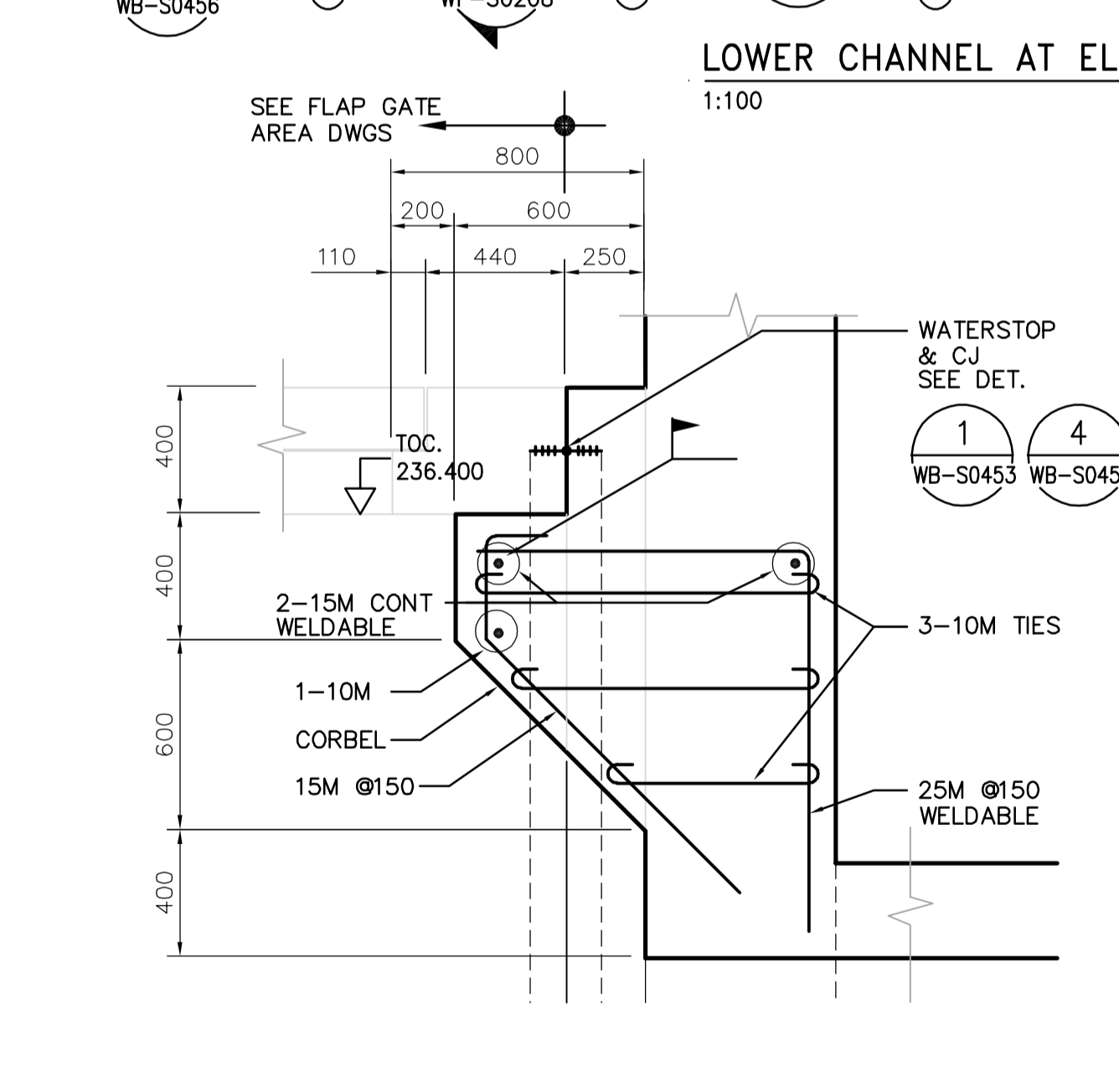
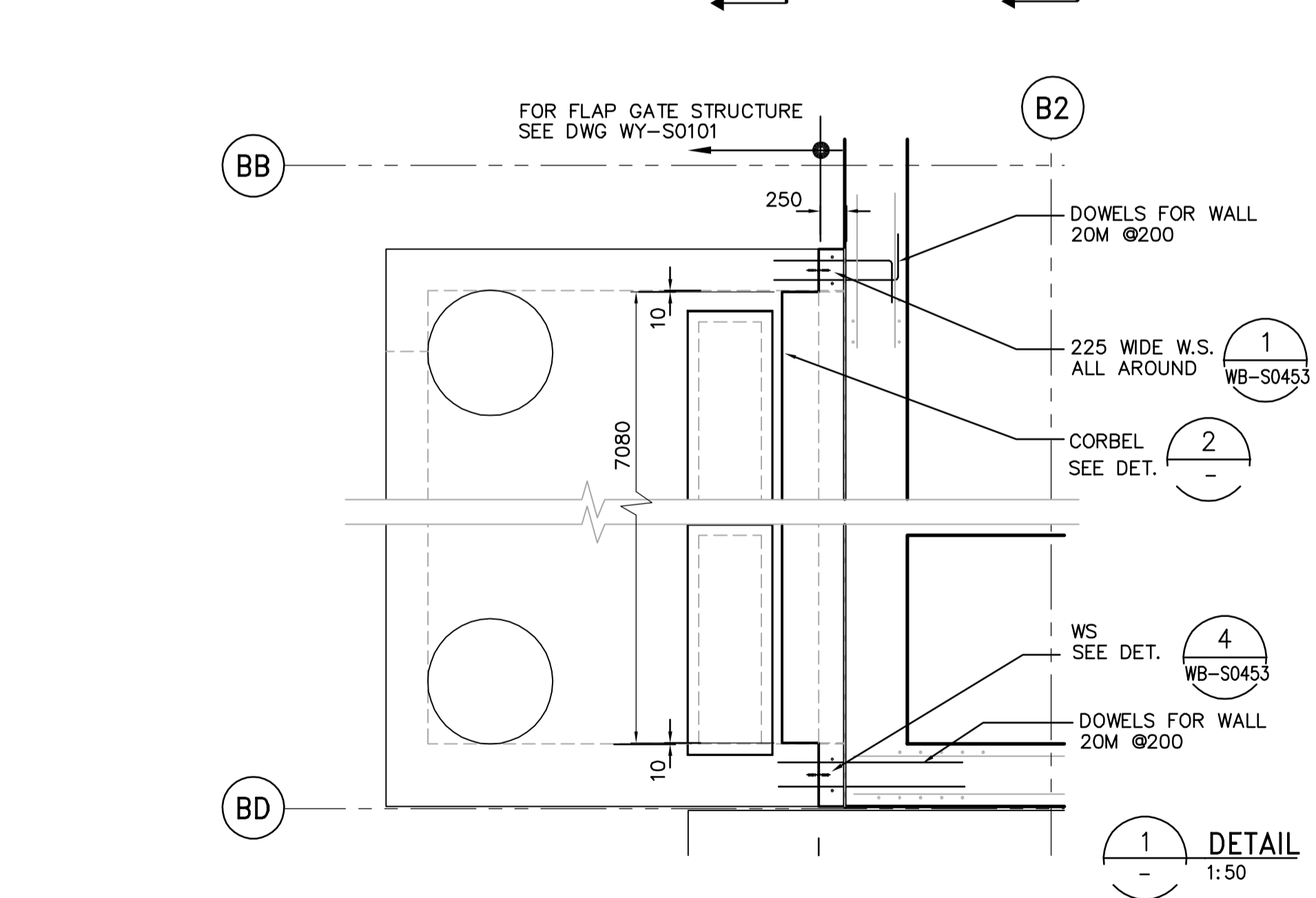
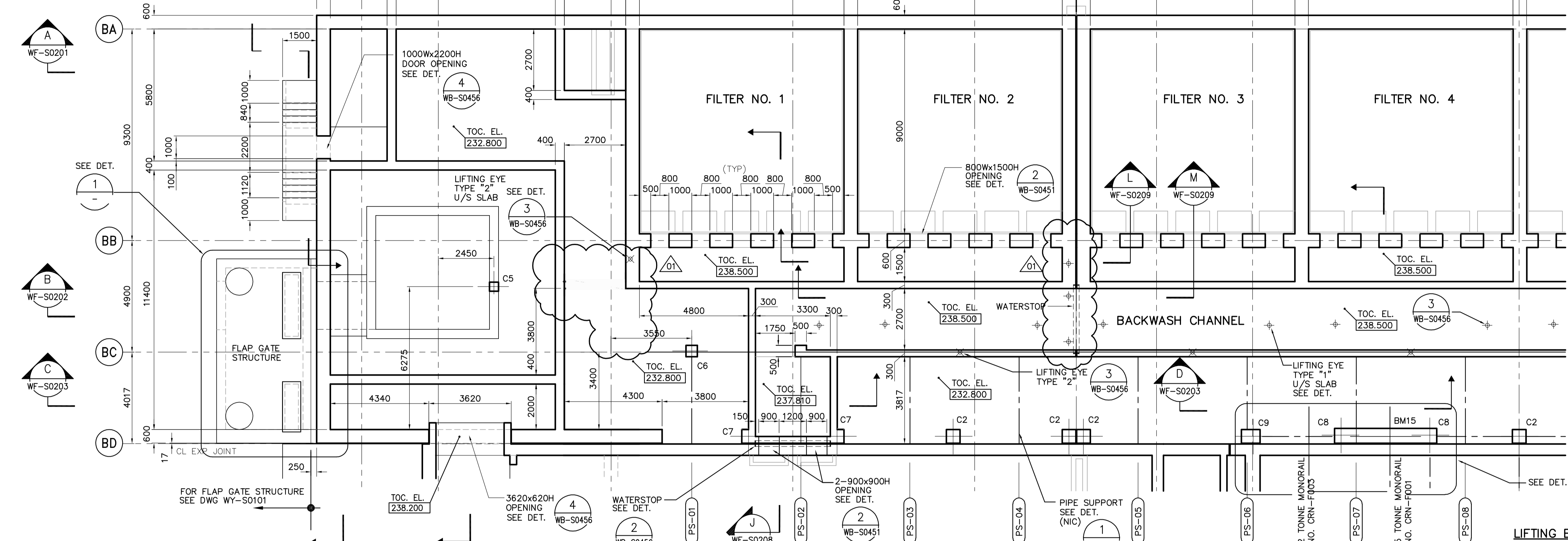
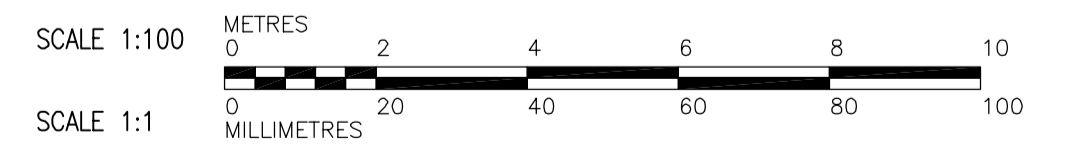
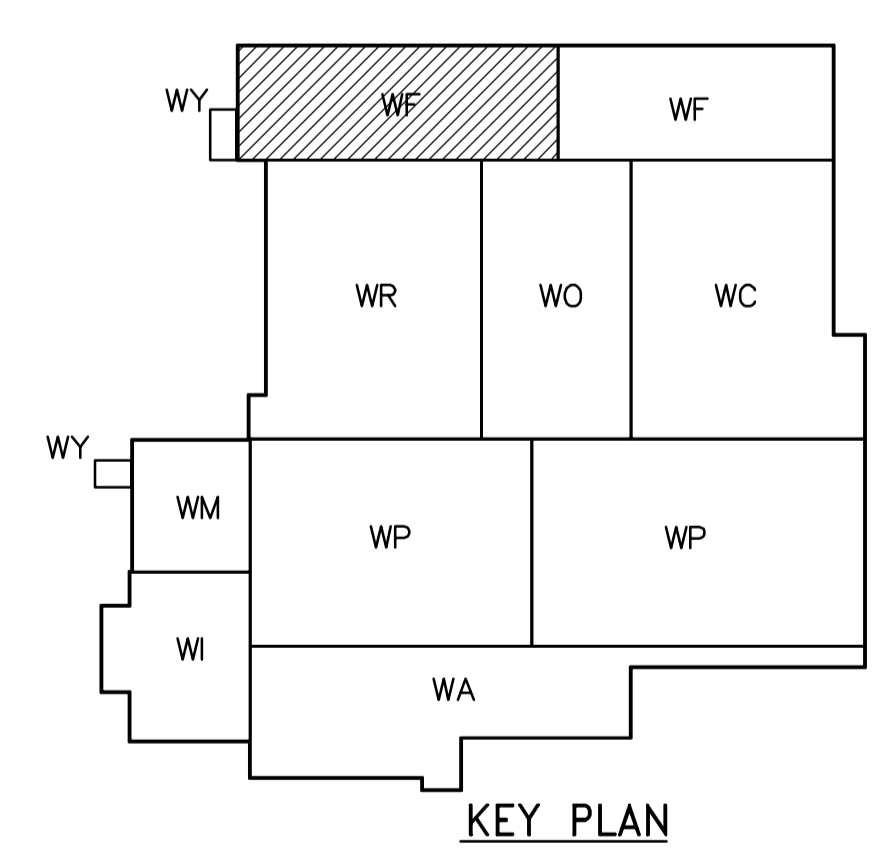


- NOTES:**
- EMBEDDED PLATE FOR PIPE SUPPORTS SEE DET.
 - ONLY EMBEDDED PLATES FOR PIPE SUPPORT AND MONORAIL ARE IN THIS CONTRACT.
 - PS-XX SHOWN FOR INFORMATION ONLY.
 - MONORAIL BEAMS SHOWN FOR INFORMATION ONLY.



LIFTING EYE
 + TYPE "1" (900 kg)
 x TYPE "2" (1800 kg)



<p>Certificate of Authorization CH2M HILL Canada Ltd. No. 1441 Expiry: April 30, 2006</p>	B.M. ELEV.	<p>Frederickson Cooper ARCHITECTS</p>	<p>A Tetra International Ltd. Company</p>	ENGINEER'S SEAL	<p>THE CITY OF WINNIPEG WATER AND WASTE DEPARTMENT ENGINEERING DIVISION</p>		
				DESIGNED BY KA		CHECKED BY AP	ORIGINAL SIGNED BY D. KRUGER
				DRAWN BY PM		APPROVED BY DJT	2006/02/06
				SCALE: 1:100		RELEASED FOR CONSTRUCTION BY: R. SOROKOWSKI	CONSULTANT DRAWING NO. WF-S0117
	NO. REVISIONS	DATE	DATE	DATE	<p>WATER TREATMENT PLANT FILTRATION AND CONCRETE STRUCTURES</p> <p>STRUCTURAL FILTRATION AREA 1 LOWER CHANNEL PLAN</p>		
					<p>CITY FILE NUMBER</p> <p>SHEET OF</p> <p>CITY DRAWING NUMBER</p> <p>1-060F-A-S0117-001-0D</p>		