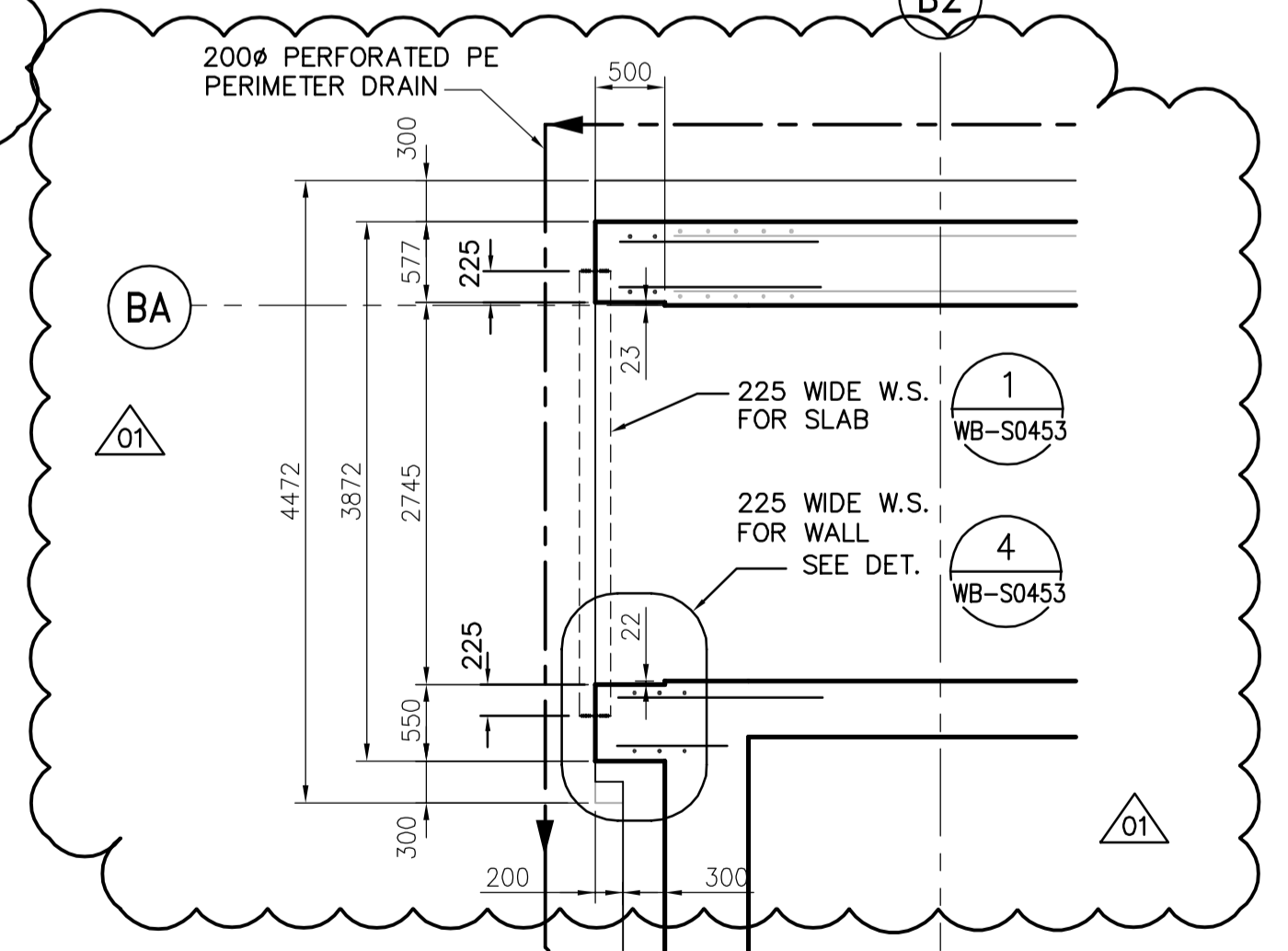
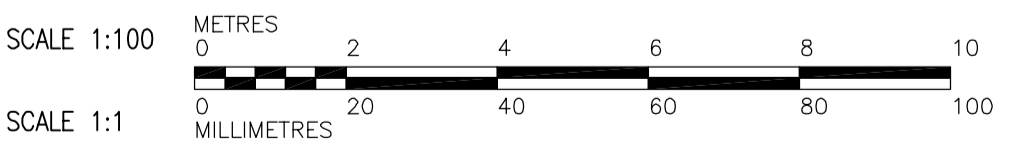
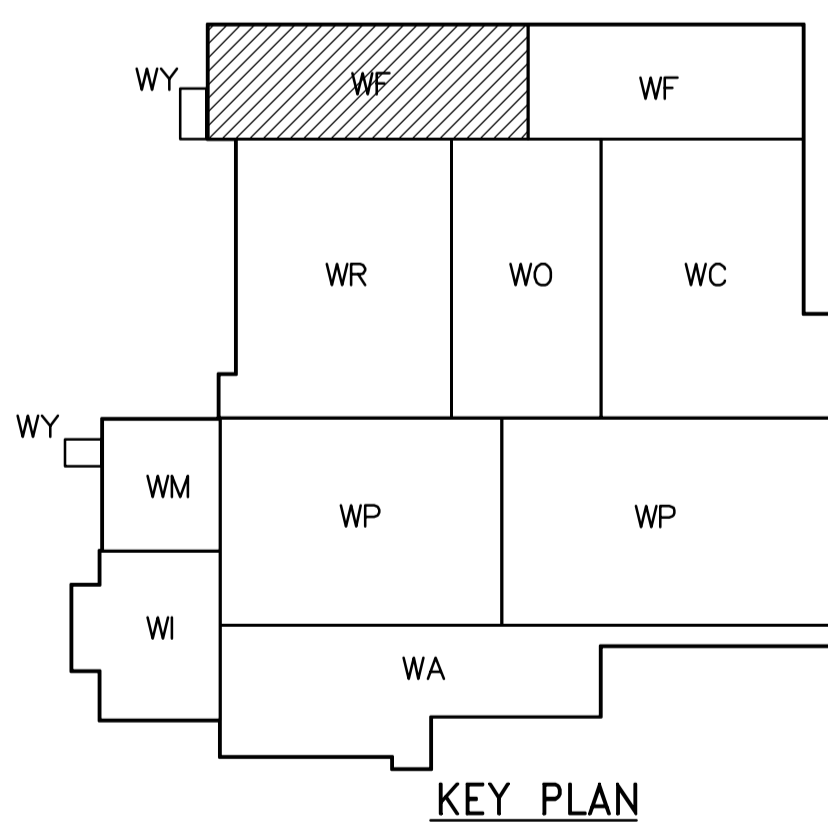


BASE SLAB PLAN AT EL 231.000  
1:100

- NOTES:**
- SEE DWG. WF-M9101 FOR ROUND OPENING SIZES
  - FOR CORNER REINFORCING SEE DET.
  - ENCASE ALL PIPING UNDER BUILDING IN CONCRETE.  
SEE
  - PROVIDE TEMPORARY SHORING WHEN POURING FILL CONCRETE AT EXPANSION JOINT.
  - NO HYDROPHILIC WS WEST OF GL. B4 AT ALL ELEVATIONS.
  - 15m @ 200 EW CENTRED.



DETAIL  
1:50



|   |   |   |  |  |  |
|---|---|---|--|--|--|
| <br>Certificate of Authorization<br><b>CH2M HILL</b> Canada Ltd.<br>No. 1441 Expiry: April 30, 2006 | B.M. ELEV.  | <br>Frederickson Cooper ARCHITECTS<br>DESIGNED BY KA<br>DRAWN BY PM<br>SCALE: 1:100 | <br>ENGINEER'S SEAL<br>ORIGINAL SIGNED BY D. KRUGER<br>2006/02/06<br>CONSULTANT DRAWING NO. WF-S0101 | <br><b>THE CITY OF WINNIPEG</b><br>WATER AND WASTE DEPARTMENT<br>ENGINEERING DIVISION<br>WATER TREATMENT PLANT<br>FILTRATION<br>FOUNDATIONS AND CONCRETE STRUCTURES<br>STRUCTURAL<br>FILTRATION AREA 1<br>LOWER LEVEL PLAN | CITY FILE NUMBER   |
|   | 01 583-2005 ADDENDUM 3 2006/03/10 KA<br>00 ISSUED FOR TENDER 2006/02/03 KA<br>NO. REVISIONS DATE BY DATE 2005/08/10 DATE 2006/02/08 |   |  |  | RELEASED FOR CONSTRUCTION BY:<br><b>R. SOROKOWSKI</b><br>DATE 2006/02/08 |