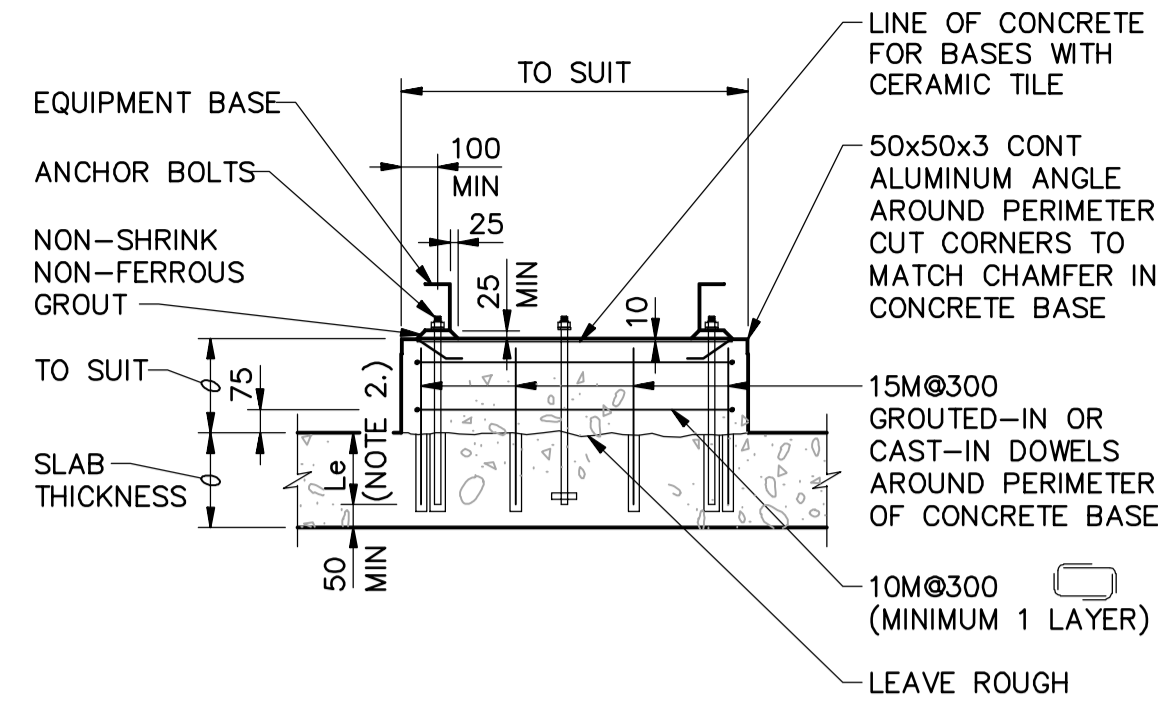


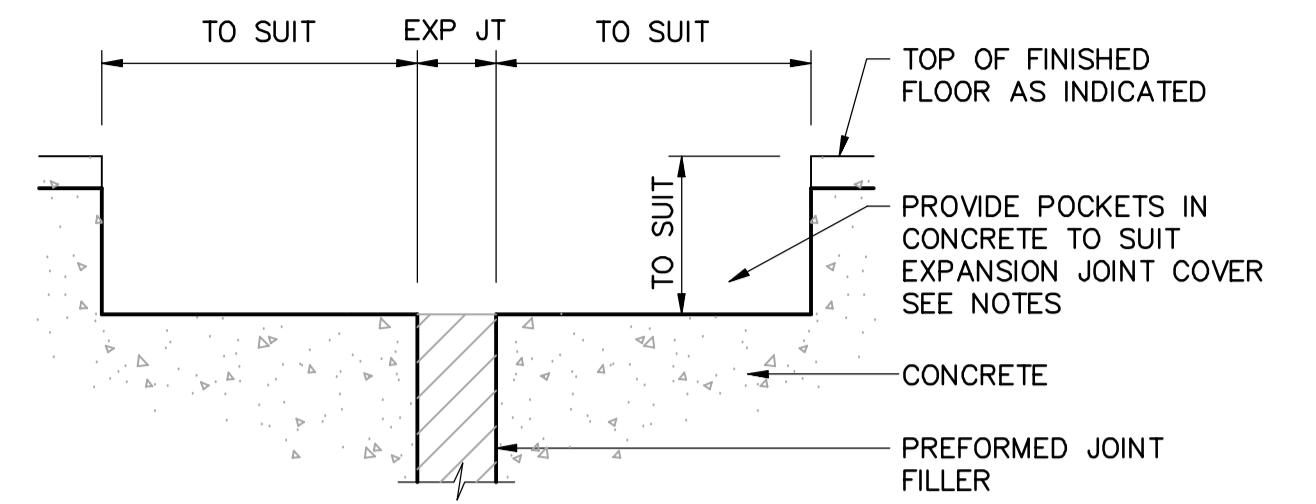
- NOTES:**
1. SEE EQUIPMENT PAD NOTES.
 2. WHEN ANCHORAGE OF EQUIPMENT TO SLAB IS REQUIRED, USE SST WEDGE ANCHORS SPECIFIED.

1
-
EQUIPMENT PAD
-
N.T.S.



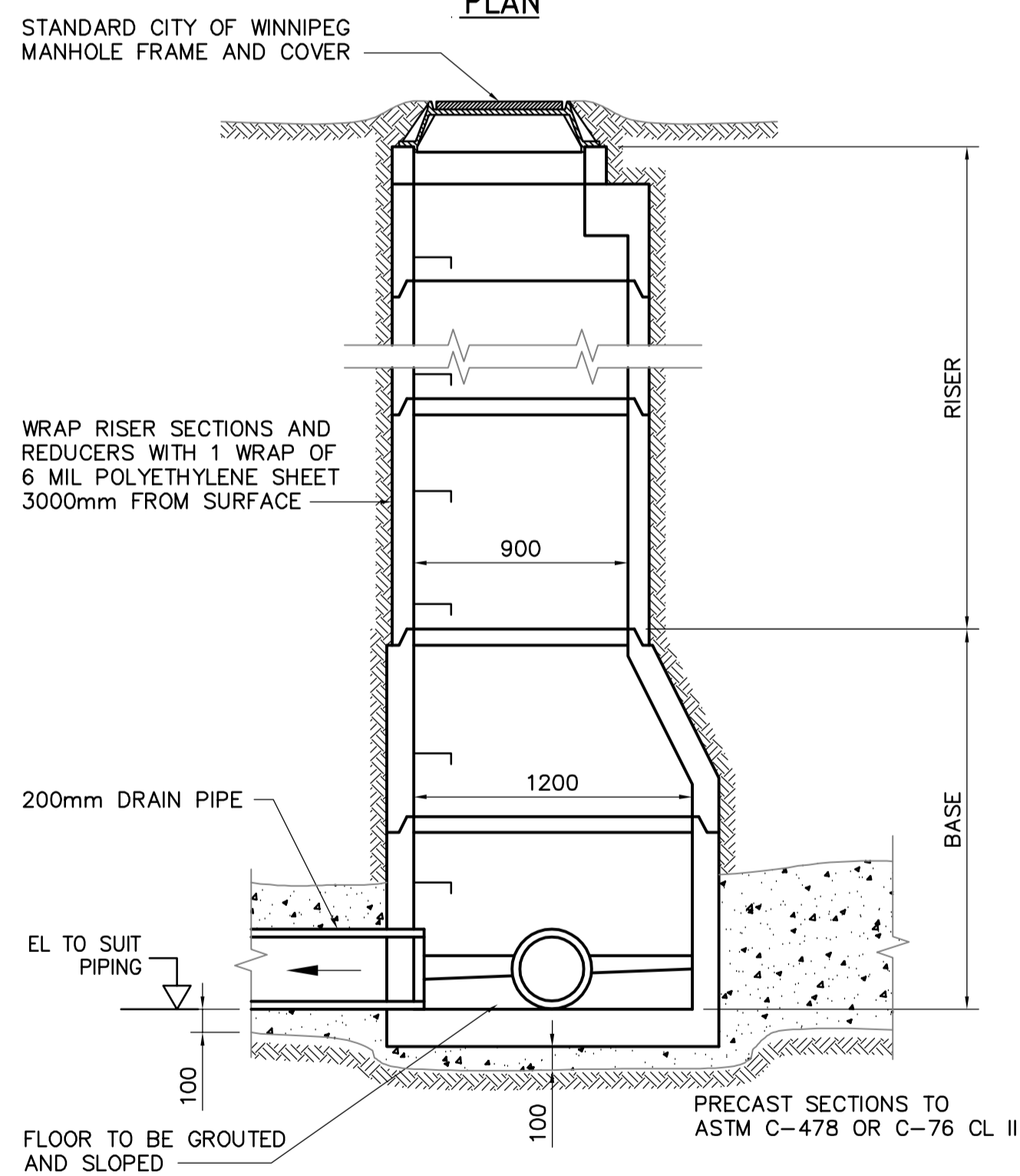
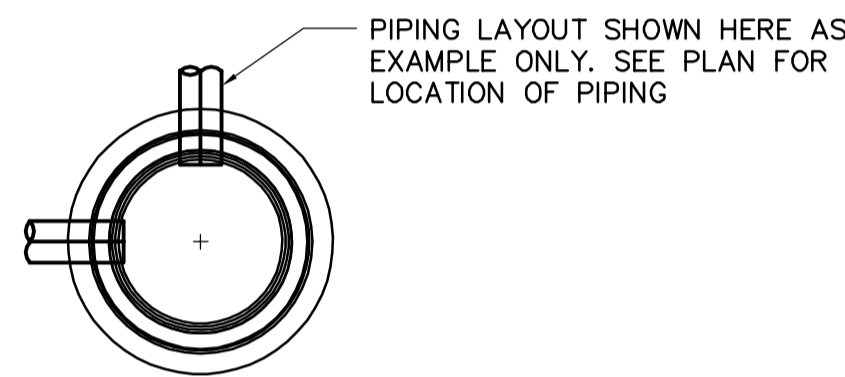
- NOTES:**
1. DIMENSIONS OF BASES, ANCHOR BOLTS, SIZES AND LOCATIONS TO SUIT EQUIPMENT SUPPLIED.
 2. FOR GROUTED-IN DOWEL EMBEDMENT LENGTH, L_e , REFER TO DETAIL **2** WB-S0454
 3. ANCHOR BOLT EMBEDMENT DETAILS, PRESTRESSING, ETC AS REQUIRED BY EQUIPMENT MANUFACTURER.
 4. FOR ANCHOR BOLT DETAILS, SEE **2** WB-S0457

2
-
TYPICAL CONCRETE EQUIPMENT PAD
-
N.T.S.

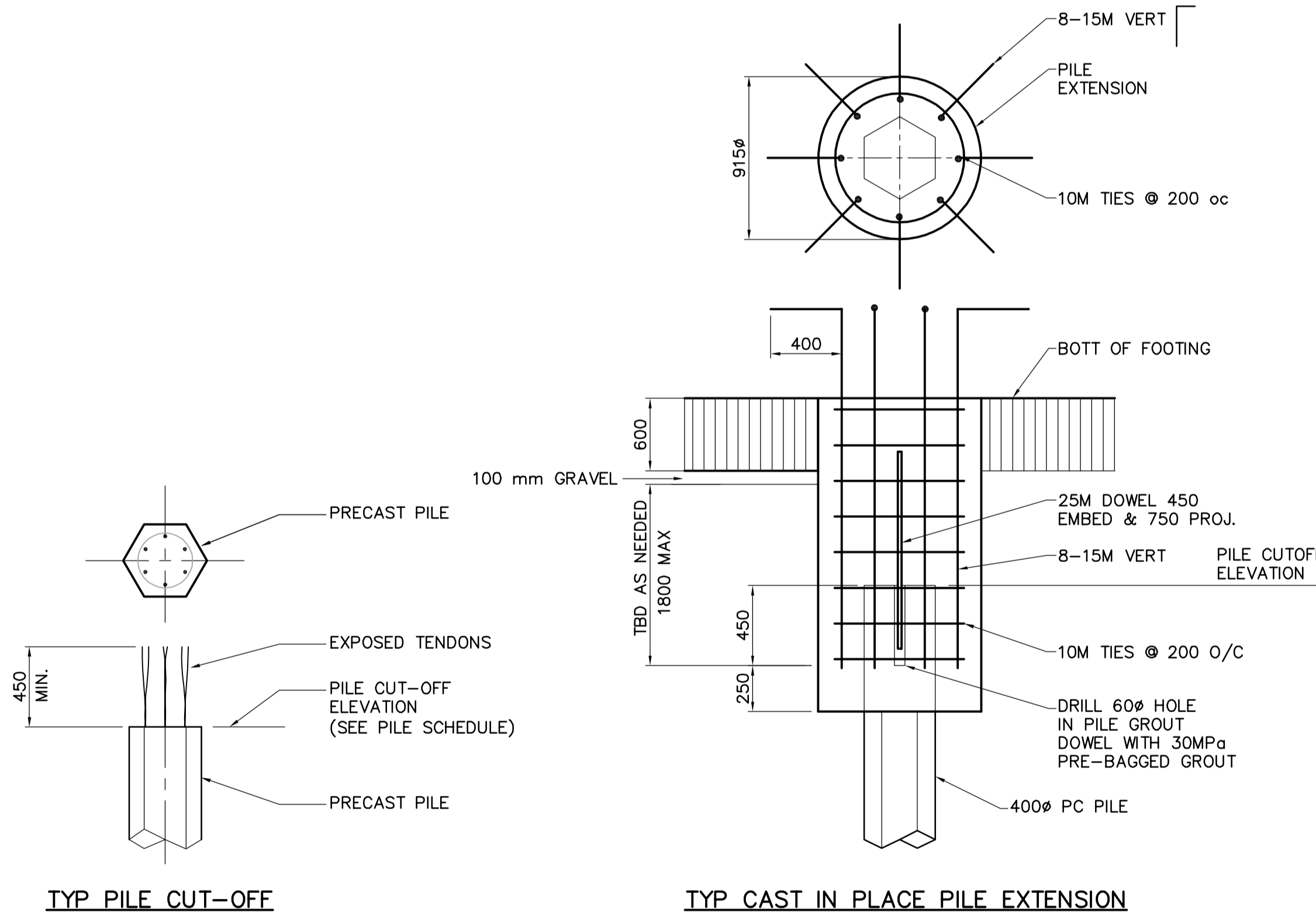


- NOTE:**
1. VERIFY THE EXACT DIMENSION FOR RECESS IN FLOOR BASED ON SUPPLIER SELECTED.

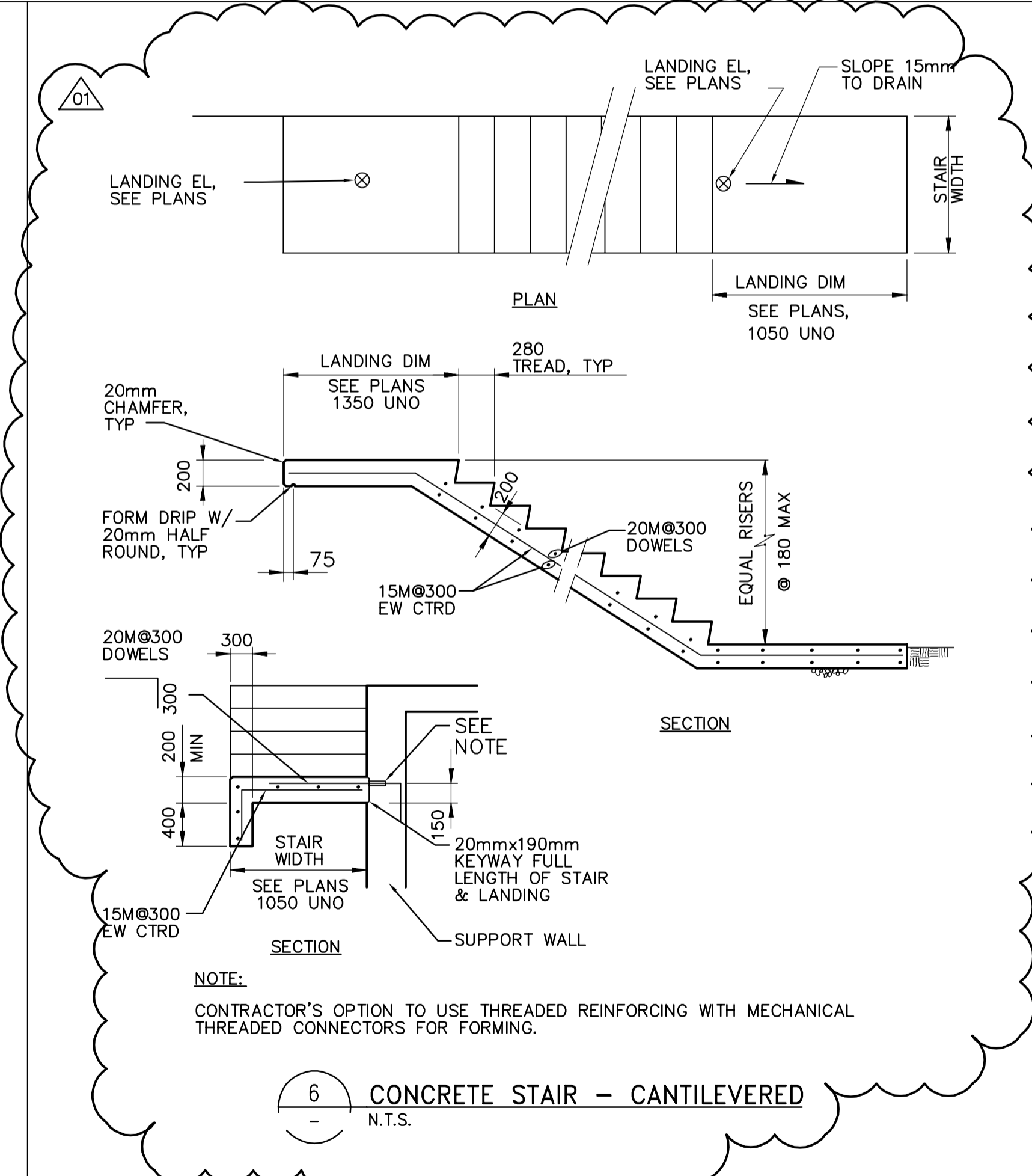
3
-
RECESS AT EXPANSION JOINT IN SLABS
-
N.T.S.



4
-
DETAIL SECTION OF MANHOLE
-
N.T.S.



5
-
PILING DETAILS
-
N.T.S.



NOTE:
CONTRACTOR'S OPTION TO USE THREADED REINFORCING WITH MECHANICAL THREADED CONNECTORS FOR FORMING.

6
-
CONCRETE STAIR - CANTILEVERED
-
N.T.S.

<p>APEGN Certificate of Authorization CH2M HILL Canada Ltd. No. 1441 Expiry: April 30, 2006</p>	B.M. ELEV.	<p>Frederickson Cooper ARCHITECTS</p>	<p>EarthTech A Tyco International Ltd. Company</p>	ENGINEER'S SEAL	<p>THE CITY OF WINNIPEG WATER AND WASTE DEPARTMENT ENGINEERING DIVISION</p>		
	DESIGNED BY: DK			CHECKED BY: AP		ORIGINAL SIGNED BY: D. KRUGER	CITY FILE NUMBER
	DRAWN BY: PT			APPROVED BY: DJT		2006/02/06	SHEET OF
	SCALE: NTS			RELEASED FOR CONSTRUCTION BY: R. SOROKOWSKI		CONSULTANT DRAWING NO. WB-S0460	CITY DRAWING NUMBER 1-060B-A-50460-001-0D
NO. REVISIONS	DATE BY	DATE	DATE	STRUCTURAL STANDARD DETAILS			