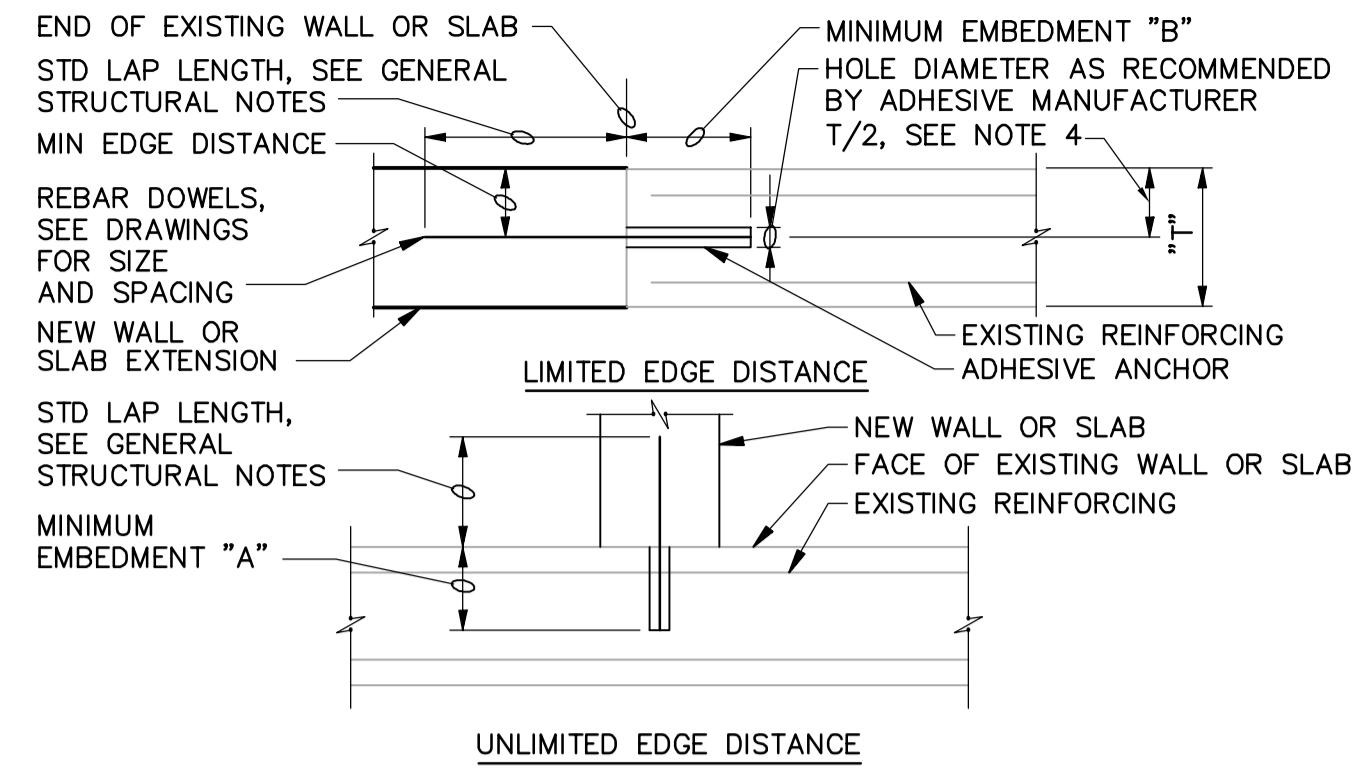


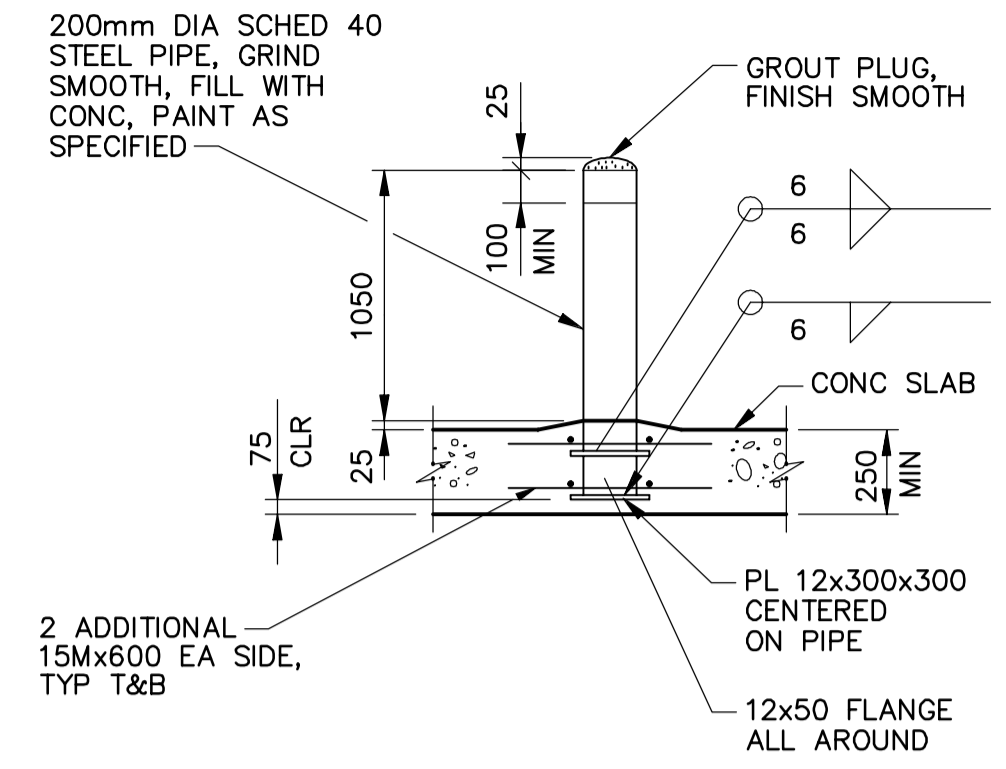
1 SLAB CONSTRUCTION JOINT  
N.T.S.



DOWEL SIZE	MINIMUM EDGE DIST	MINIMUM EMBEDMENT A	MINIMUM EMBEDMENT B
10M	65mm	125mm	200mm
15M	100mm	200mm	330mm
20M	125mm	265mm	400mm
25M	175mm	355mm	560mm
30M	190mm	380mm	600mm

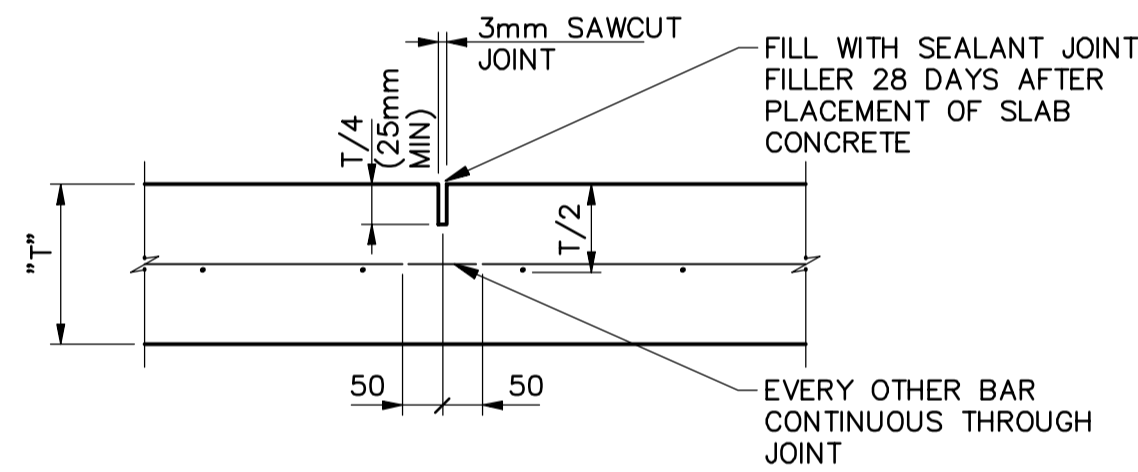
- NOTES:
- CONFORM TO THE REQUIREMENTS OF SPECIFICATION SECTION 03215, DOWELING FOR CONCRETE.
  - FOLLOW ADHESIVE MANUFACTURER'S INSTRUCTIONS FOR INSTALLATION.
  - USE MINIMUM EMBEDMENTS SHOWN, EXCEPT USE MANUFACTURER'S MINIMUM RECOMMENDED EMBEDMENT IF GREATER.
  - LOCATE DOWELS CENTERED IN WALL OR SLAB UNLESS OTHERWISE NOTED ON DRAWINGS. WHERE 2 ROWS OF DOWELS INDICATED, STAGGER SPACING & LOCATE ALTERNATING DOWELS AT MINIMUM EDGE DISTANCE FROM OPPOSITE FACES.

2 ADHESIVE DOWEL  
N.T.S.

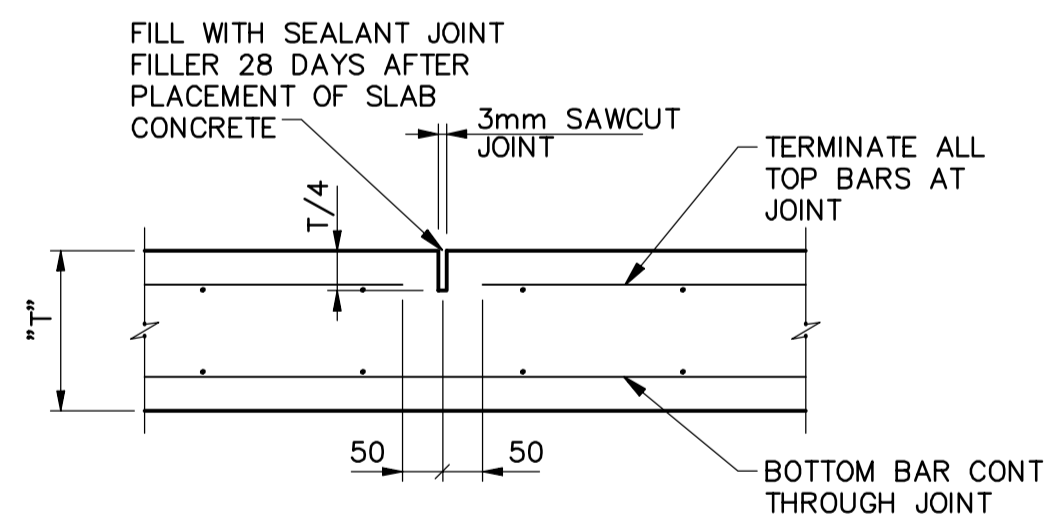


NOTE:  
HOT DIPPED GALVANIZED AFTER FABRICATION.

3 GUARD POST - INTERIOR  
N.T.S.



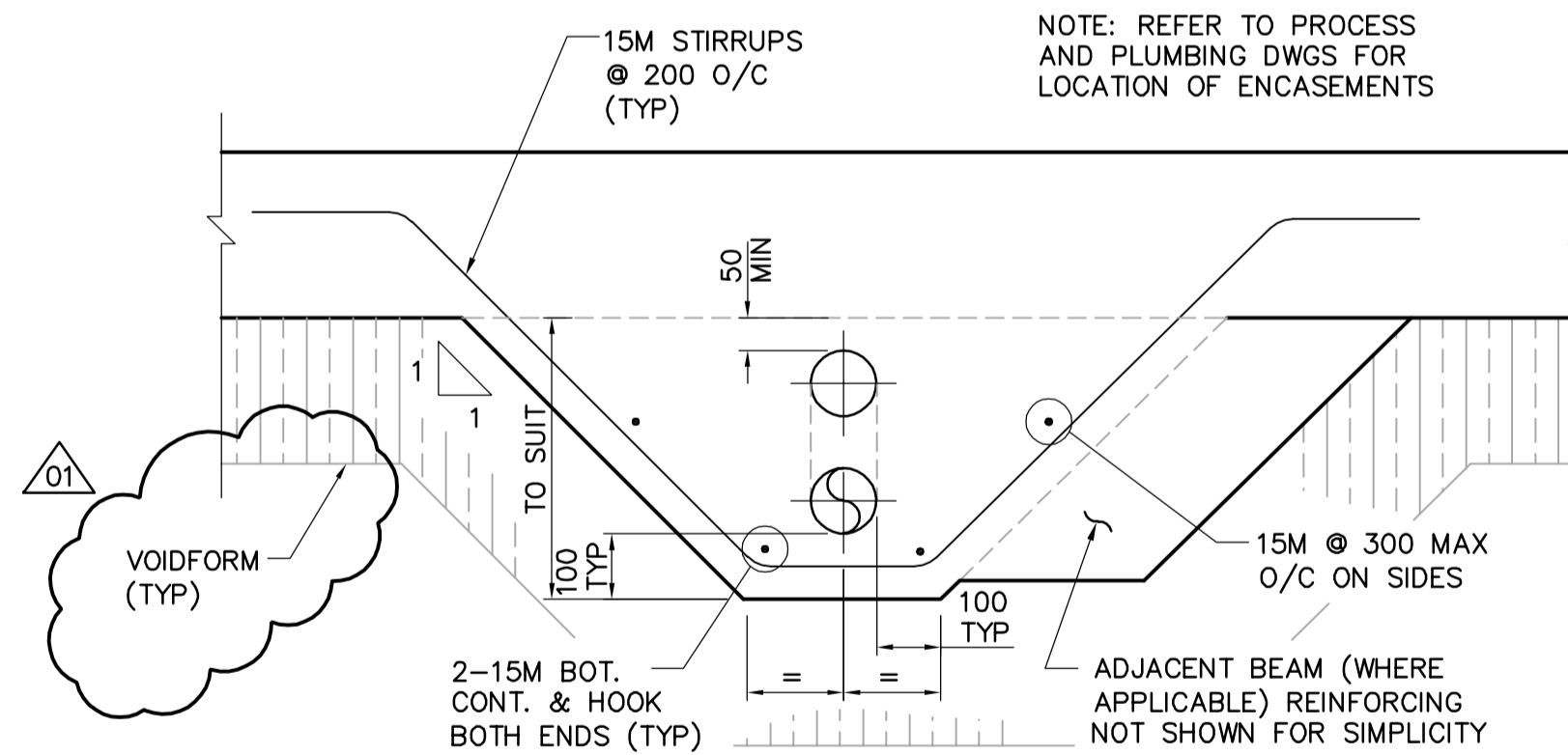
SINGLE REINFORCING MAT



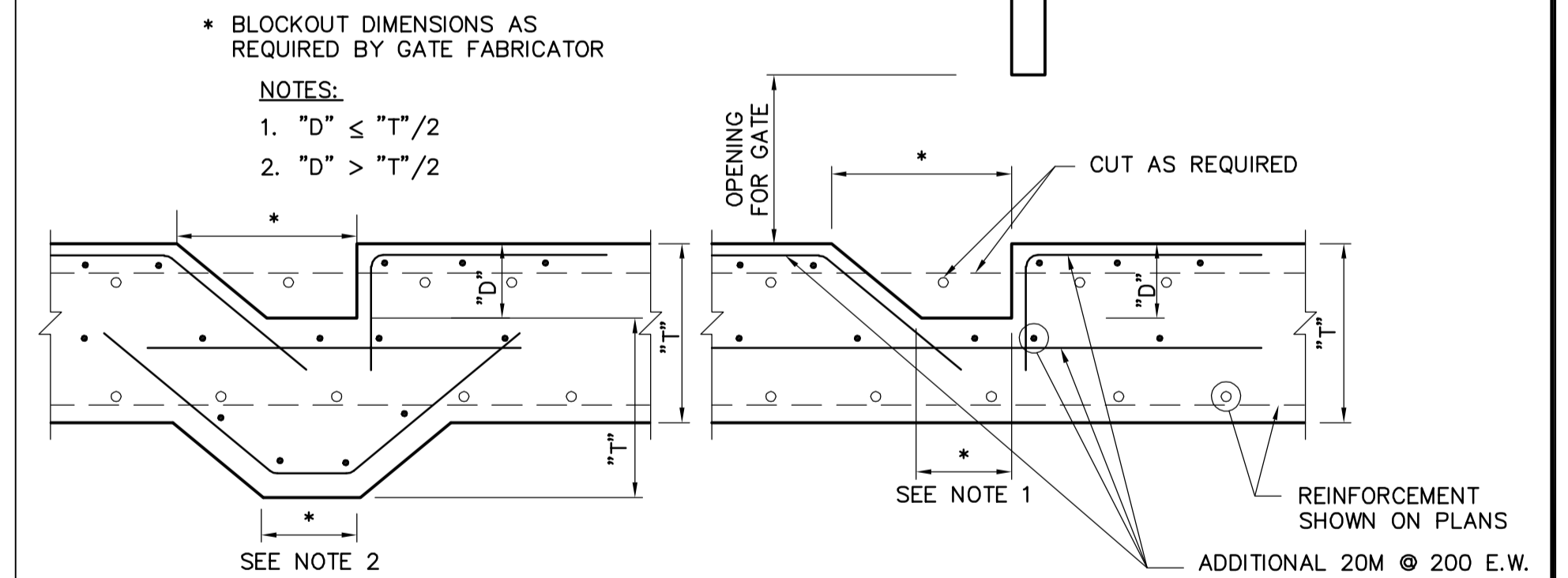
DOUBLE REINFORCING MAT

- NOTE:
- CONTRACTOR SHALL USE STRING LINE OR OTHER POSITIVE MEANS TO PLACE REINFORCING AND LOCATE SAWCUT.
  - MAX SPACING OF SAW CUT = 3000 IN ANY DIRECTION.

4 SLAB ON GRADE SAWN CONTROL JOINT  
N.T.S.



5 PIPE OR CONDUIT ENCASEMENT  
N.T.S.



6 GATE SILL BLOCKOUT  
N.T.S.



NO.	REVISIONS	DATE	BY
01	583-2005 ADDENDUM 3	06/03/10	DK
00	ISSUED FOR TENDER	2006/02/03	DK



DESIGNED BY	DK	CHECKED BY	AP
DRAWN BY	PT	APPROVED BY	DJT
SCALE:	NTS	RELEASED FOR CONSTRUCTION BY:	R. SOROKOWSKI
DATE	2005/08/31	DATE	2006/02/08

ENGINEER'S SEAL
ORIGINAL SIGNED BY D. KRUGER 2006/02/06
CONSULTANT DRAWING NO. WB-S0454

**THE CITY OF WINNIPEG**  
WATER AND WASTE DEPARTMENT  
ENGINEERING DIVISION

WATER TREATMENT PLANT  
FOUNDATIONS AND CONCRETE STRUCTURES  
STRUCTURAL  
STANDARD DETAILS

CITY FILE NUMBER  
SHEET OF  
CITY DRAWING NUMBER  
**1-060B-A-0454-01-0D**