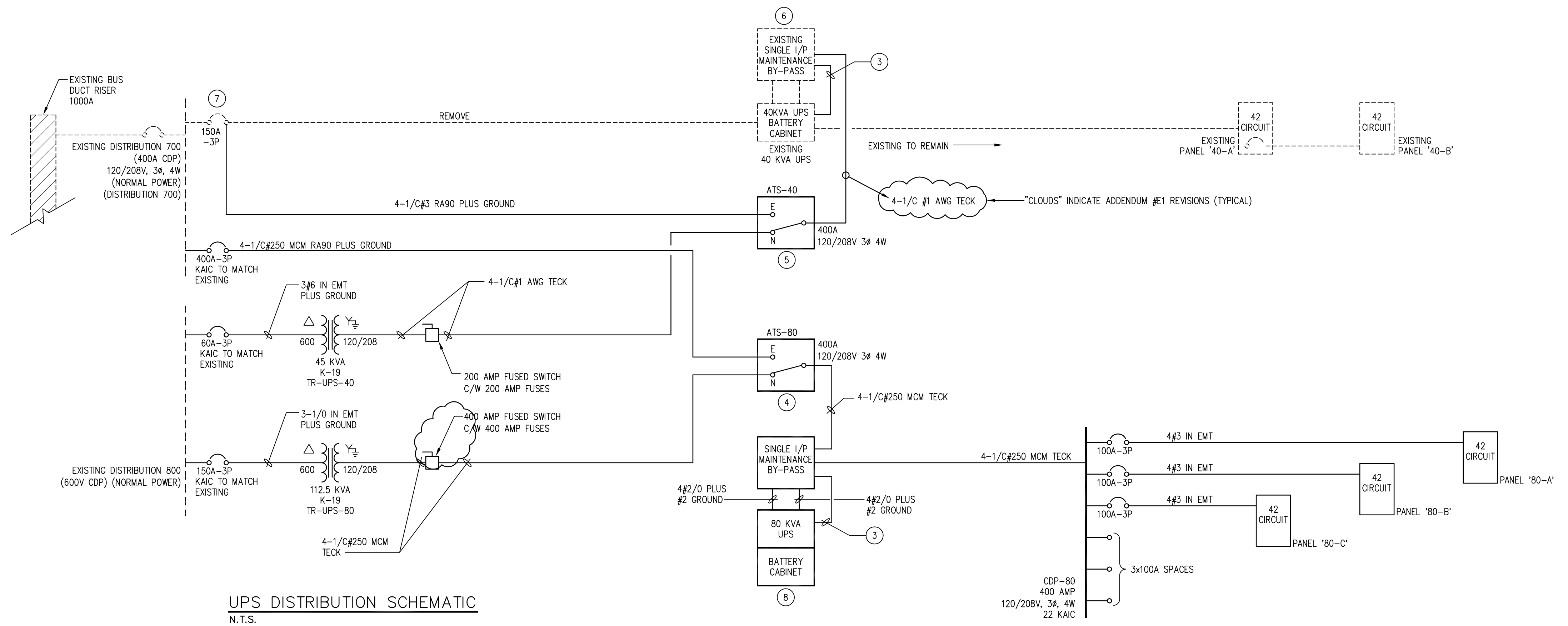


- NOTES:
- 1 NOT USED
  - 2 NOT USED
  - 3 2-2/C#14 TW PR. IN 3/4" EMT.
  - 4 ATS-80 IS 120/208V/3Ø/4W 400A, C/W MAINTENANCE BYPASS.
  - 5 ATS-40 IS 120/208V/3Ø/4W 400A, C/W MAINTENANCE BYPASS.
  - 6 EXISTING SINGLE I/P MAINTENANCE BYPASS.
  - 7 REUSE EXISTING BREAKER TO FEED NEW ATS-40. (CONFIRM BREAKER SIZE)
  - 8 80KVA UPS/BATTERY CABINET AND MAINTENANCE BYPASS ARE SUPPLIED BY OWNER. DIV.16 TO MOVE FROM 6TH FLOOR LOBBY TO FINAL LOCATION SHOWN.
  - 9 PROVIDE A 3 1/2" CONCRETE HOUSEKEEPING PAD FOR UPS-80, BATTERY CABINET AND BY-PASS.
  - 10 PROVIDE PAINTED BACKBOARDS FOR ELECTRICAL PANELS TO MATCH EXISTING PANEL INSTALLATIONS.

**SEVENTH FLOOR PLAN - ELECTRICAL**  
SCALE: 1/8"-1'-0"



**UPS DISTRIBUTION SCHEMATIC**  
N.T.S.

No.	Revisions	By	Date
6	ADDENDUM #E1		TS AUG. 11/05
5	ISSUED FOR TENDER		CB AUG. 2/05
3	40 KVA UPS ADDED		CB JUNE 9/05
2	REVISED		CB JUNE 5/05
1	ISSUED FOR PHASE 1		CB MAY 6/05

**APEGM**  
Certificate of Authorization  
SMS Engineering Ltd.  
No. 166 Expiry: April 30, 2006

ORIGINAL CONTRACT DRAWING  
SIGNED AND SEALED BY  
B. D. LESKO, P. ENG  
AUGUST 02, 2005

**SMS ENGINEERING**  
SMS Engineering Ltd., Consulting Engineers  
770 Bradford Street Winnipeg MB Canada R3H 0N3  
Telephone 204.775.0291 Fax 204.772.2153  
sms@smseeng.com

Project Title  
**THE CITY OF WINNIPEG  
80 KVA UPS INSTALLATION  
AT 510 MAIN ST.  
WINNIPEG MANITOBA**

Drawing Title  
**SEVENTH FLOOR COMPUTER ROOM  
80 KVA UPS INSTALLATION**

Drawn By AA	Checked By CB	Approved By BDL
Scale AS NOTED	Date AUGUST 2005	File No. 04-257-01
Revision Number <b>6</b>	Drawing Number <b>E-1R6</b>	OF <b>2</b>