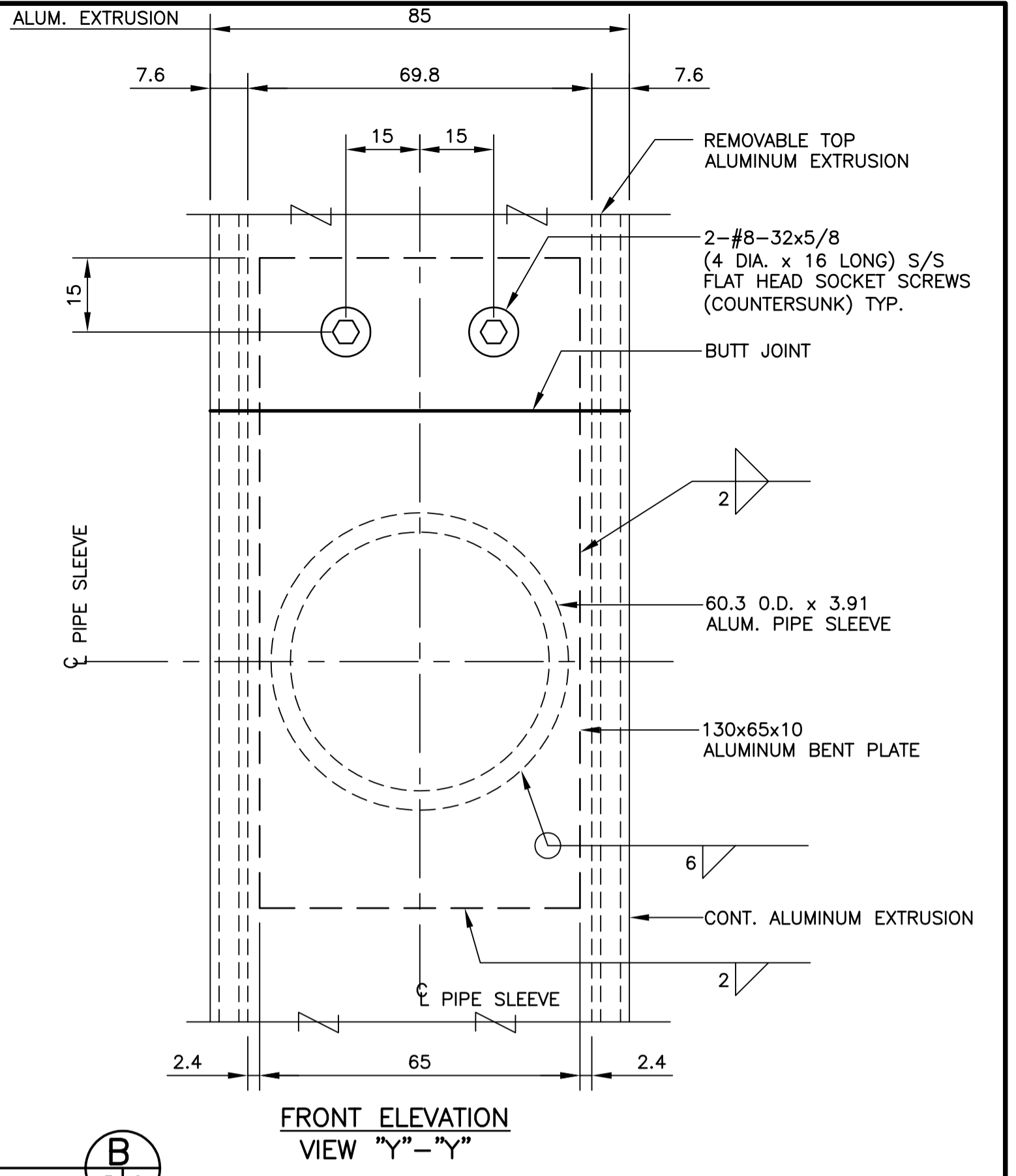
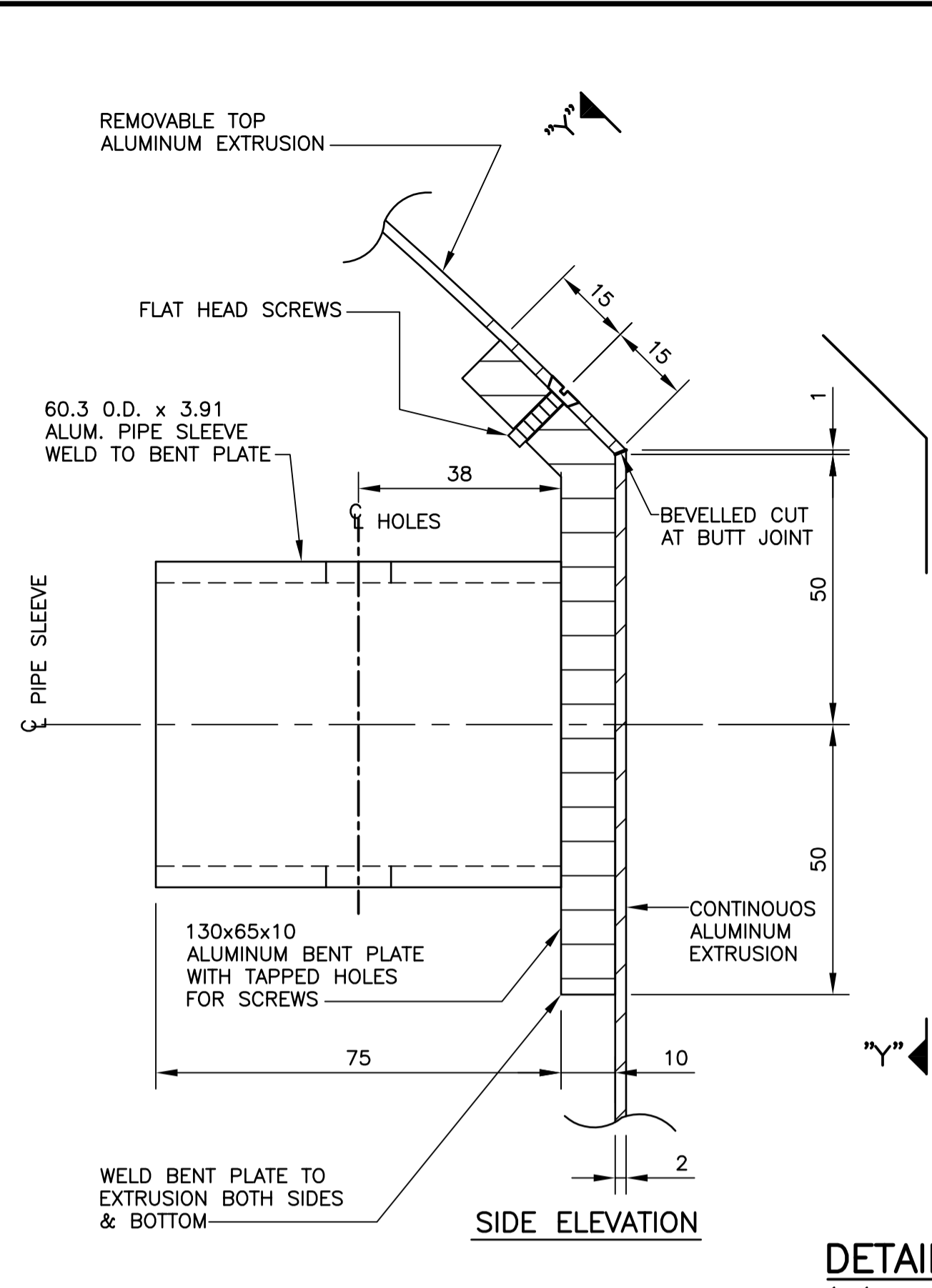
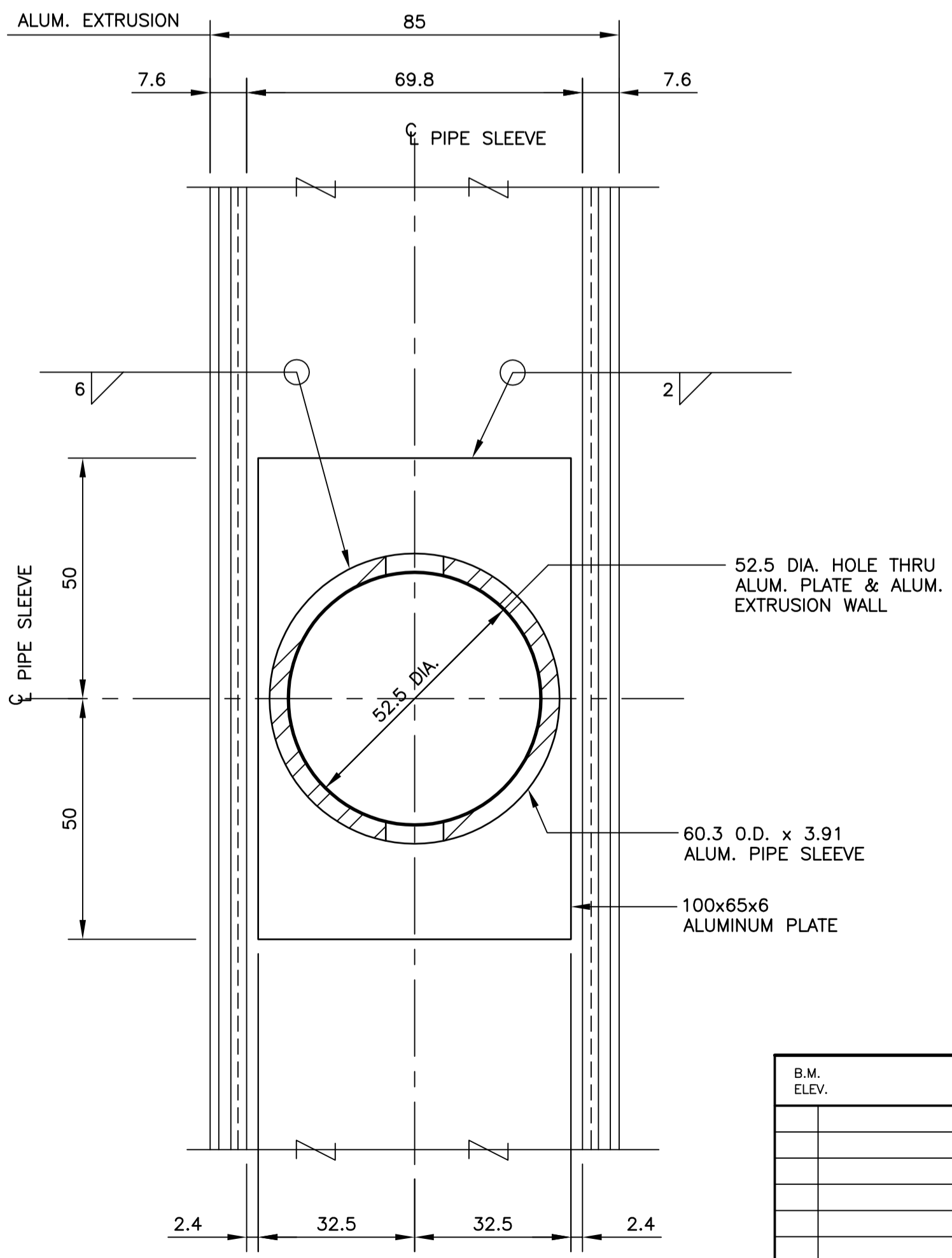
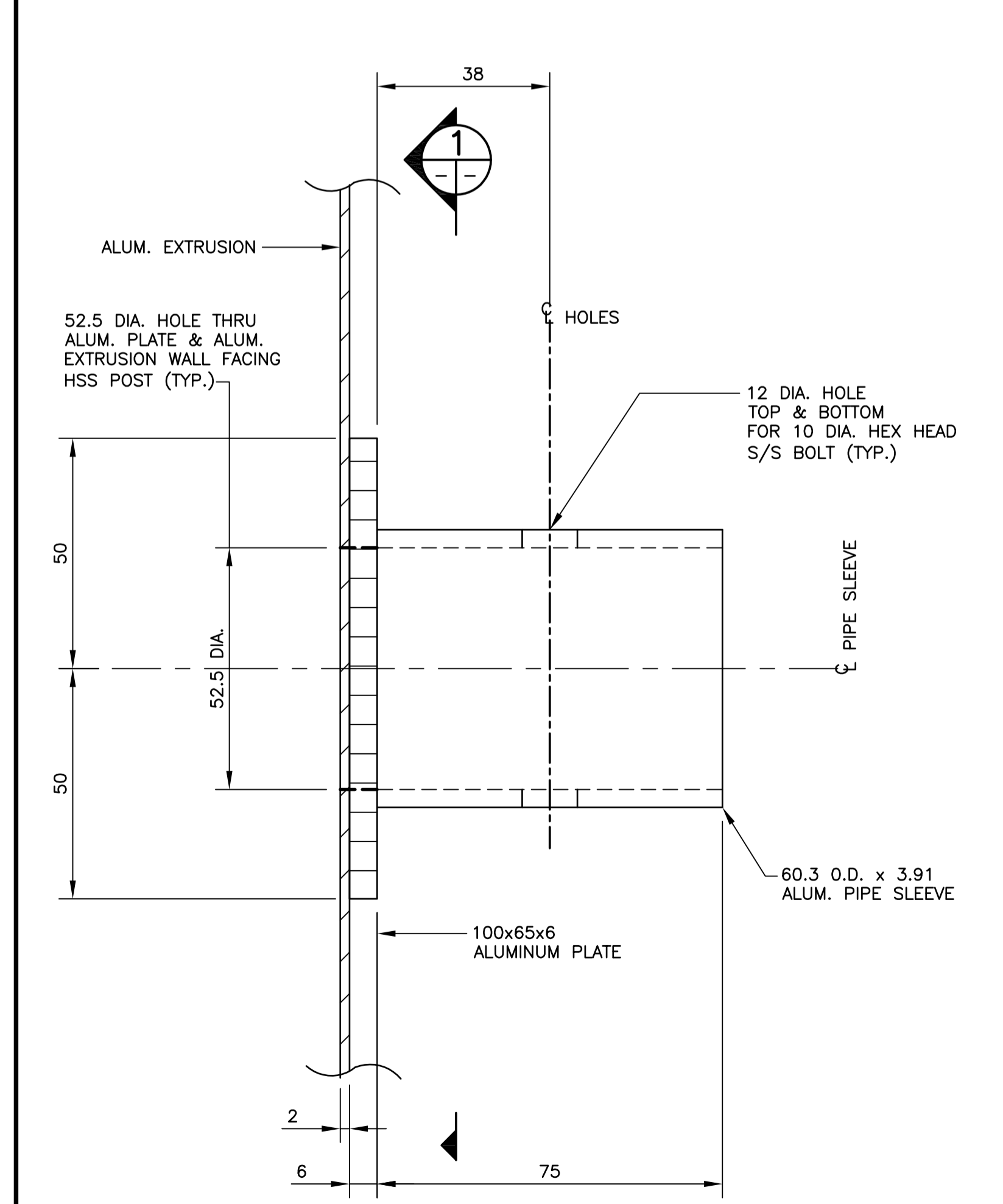


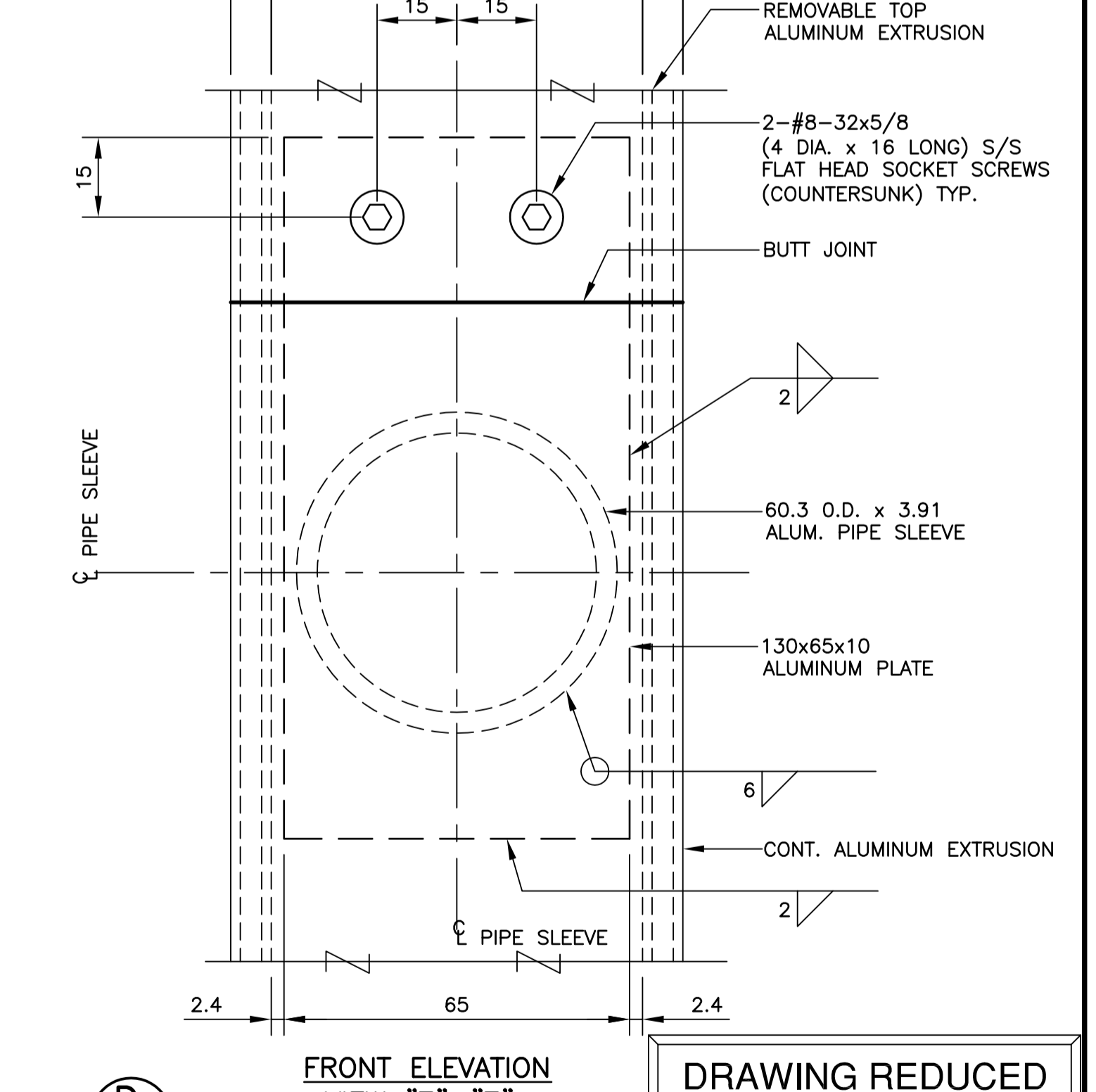
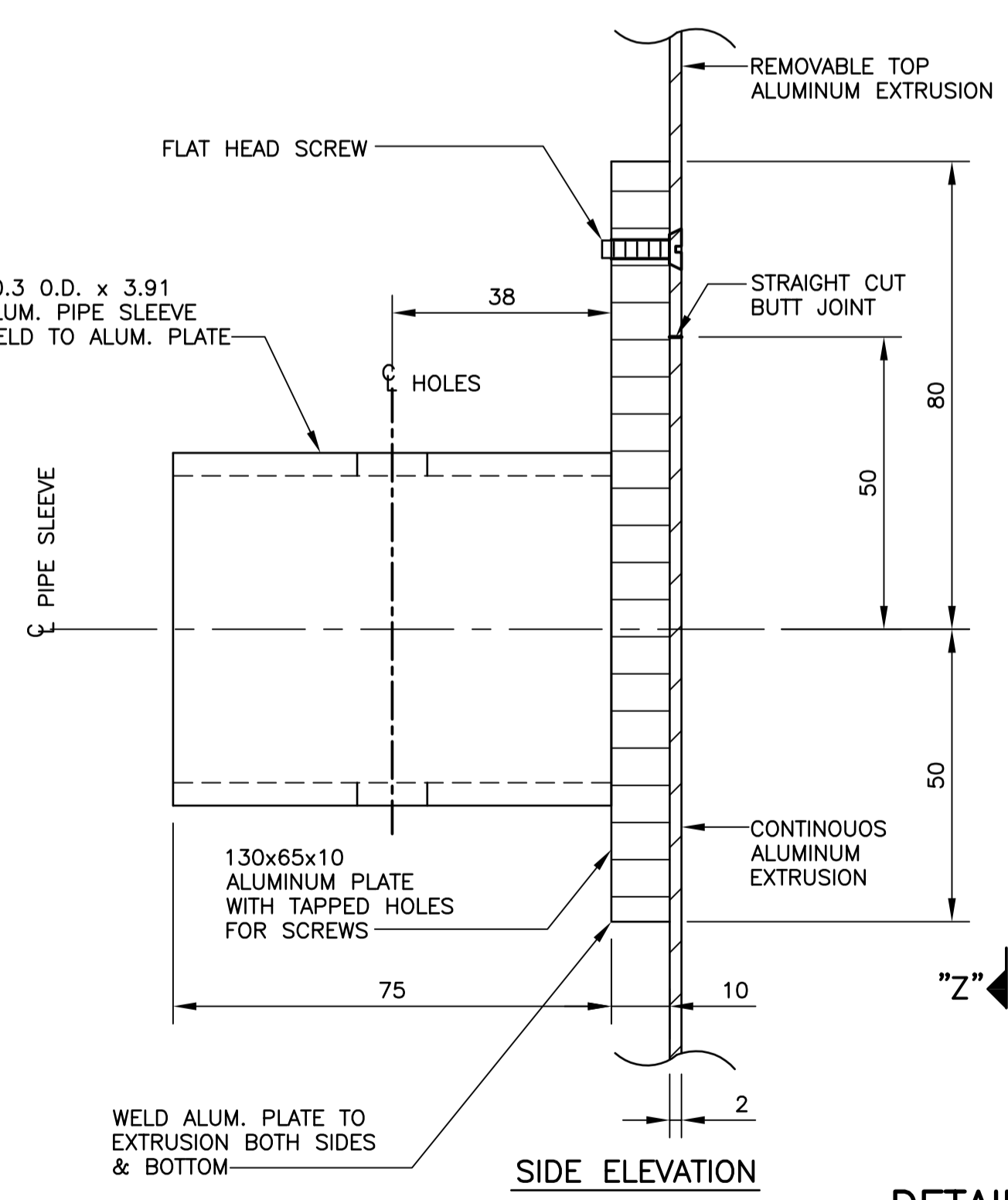
DETAIL A
1: 1



DETAIL B
1: 1



SECTION 1
1: 1



DETAIL D
1: 1

DRAWING REDUCED NOT TO SCALE

B.M. ELEV.	DESIGNED BY	S.S.R./A.S.D.	<p>DILLON CONSULTING</p>	<p>ENGINEER'S SEAL PROVINCE OF MANITOBA S.S. RIHAAL REGISTERED PROFESSIONAL ENGINEER</p>	<p>THE CITY OF WINNIPEG PUBLIC WORKS DEPARTMENT</p>
	DRAWN BY	N.B.G.			
	CHECKED BY	S.S.R.			
	APPROVED BY				
	HOR. SCALE	AS SHOWN			
NO. REVISIONS	DATE	BY	DATE	JUNE 2005	DATE
				RELEASED FOR CONSTRUCTION	CONSULTANT PROJECT NO.
					05-4794-1000
					<p>WAYFINDER SIGN SYSTEM</p> <p>ALTERNATIVE 1 (SIGN BOXES) SIGN BOX DETAILS - SHEET 2 OF 2</p>
					<p>CITY DRAWING NUMBER WF-05-08</p> <p>SHEET 8 OF 10</p>