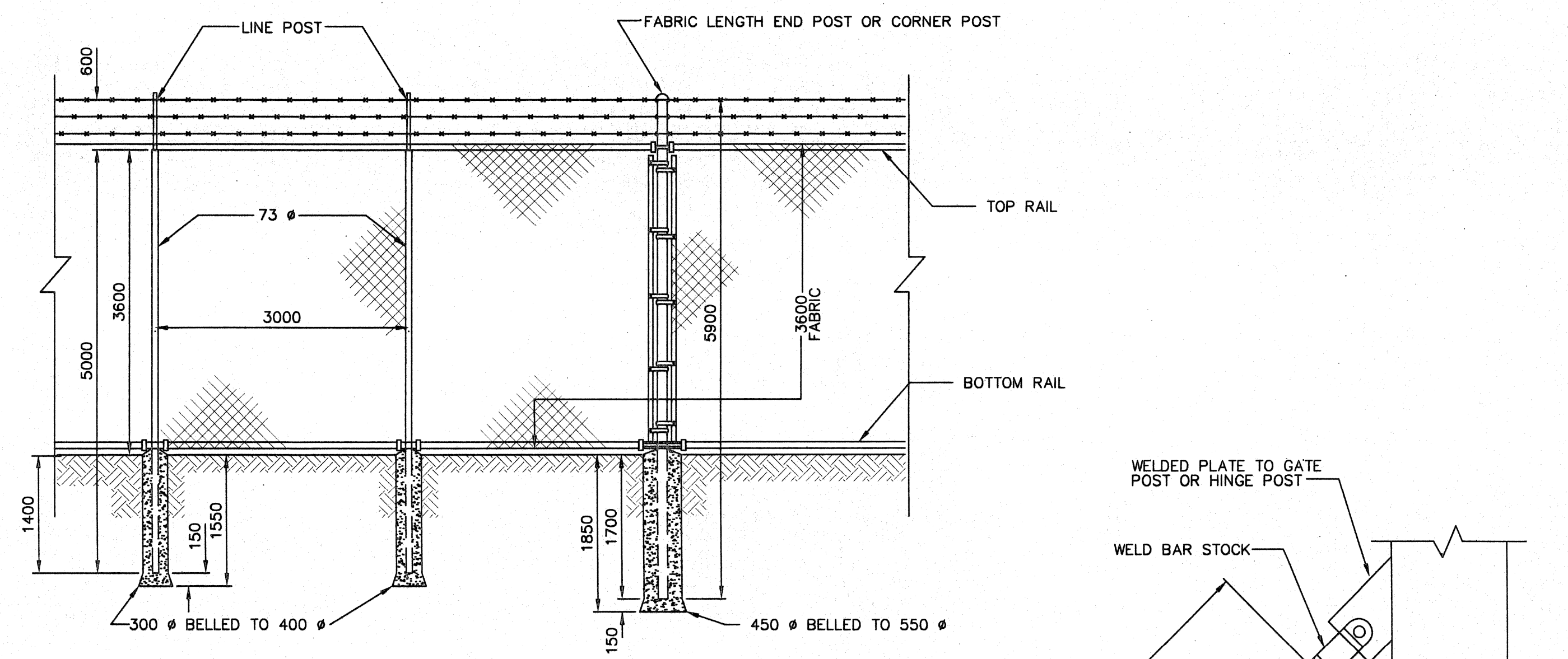
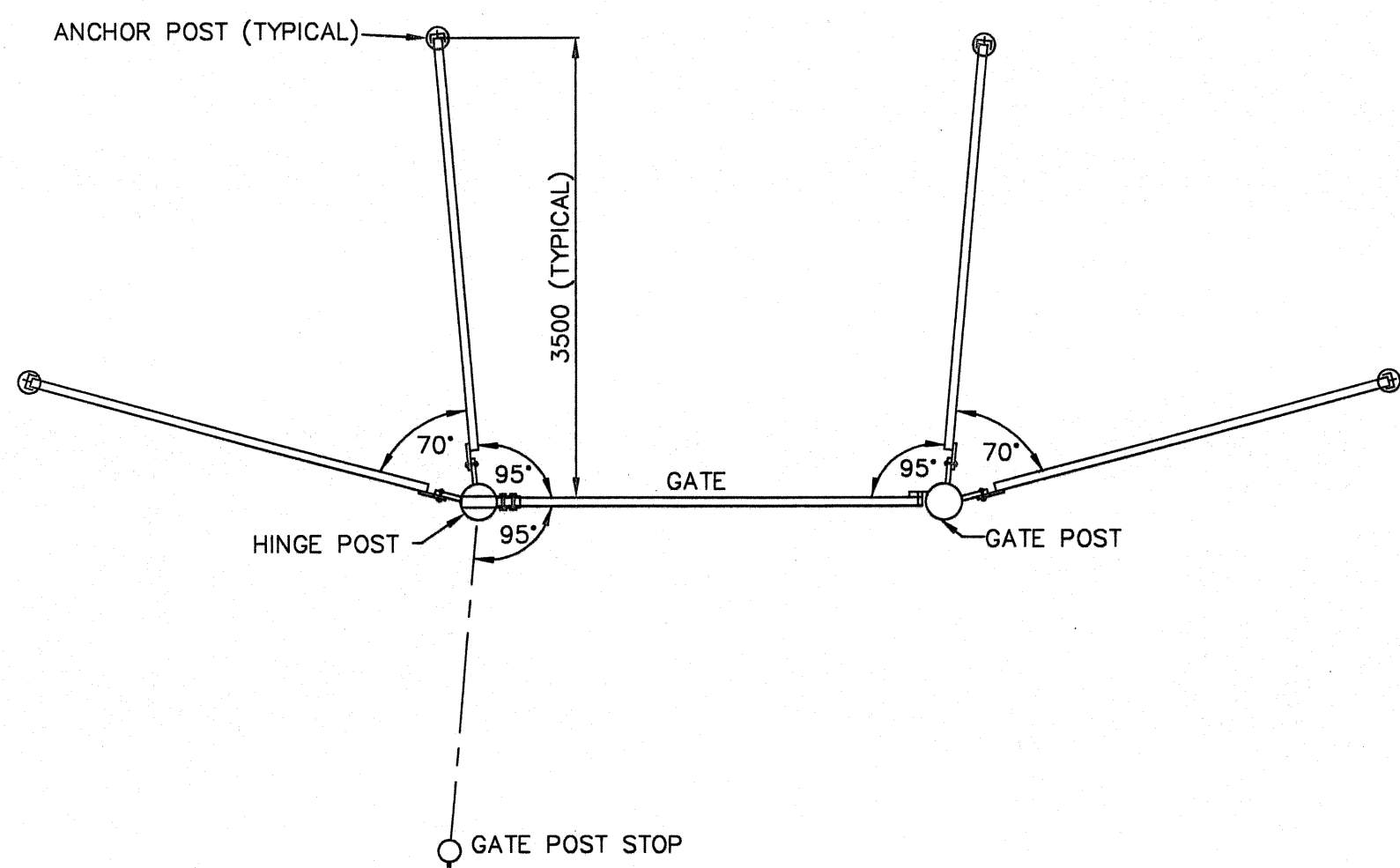


GATE DETAILS
SCALE 1 : 50

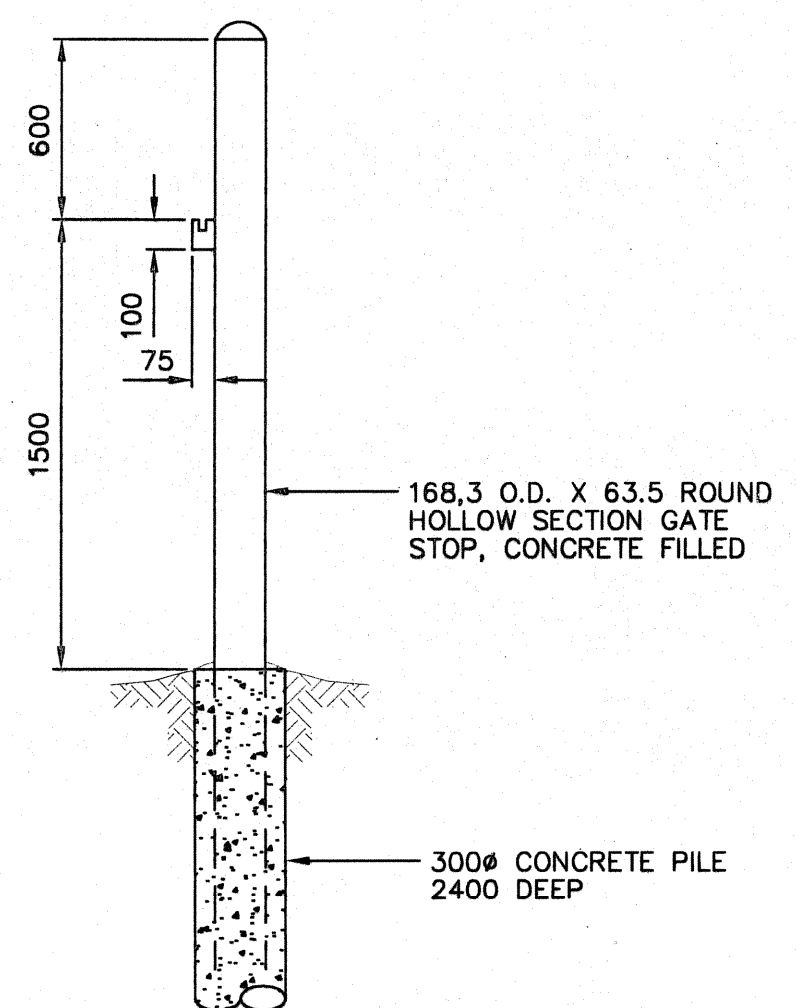


INSTALLATION DETAIL
SCALE 1 : 50

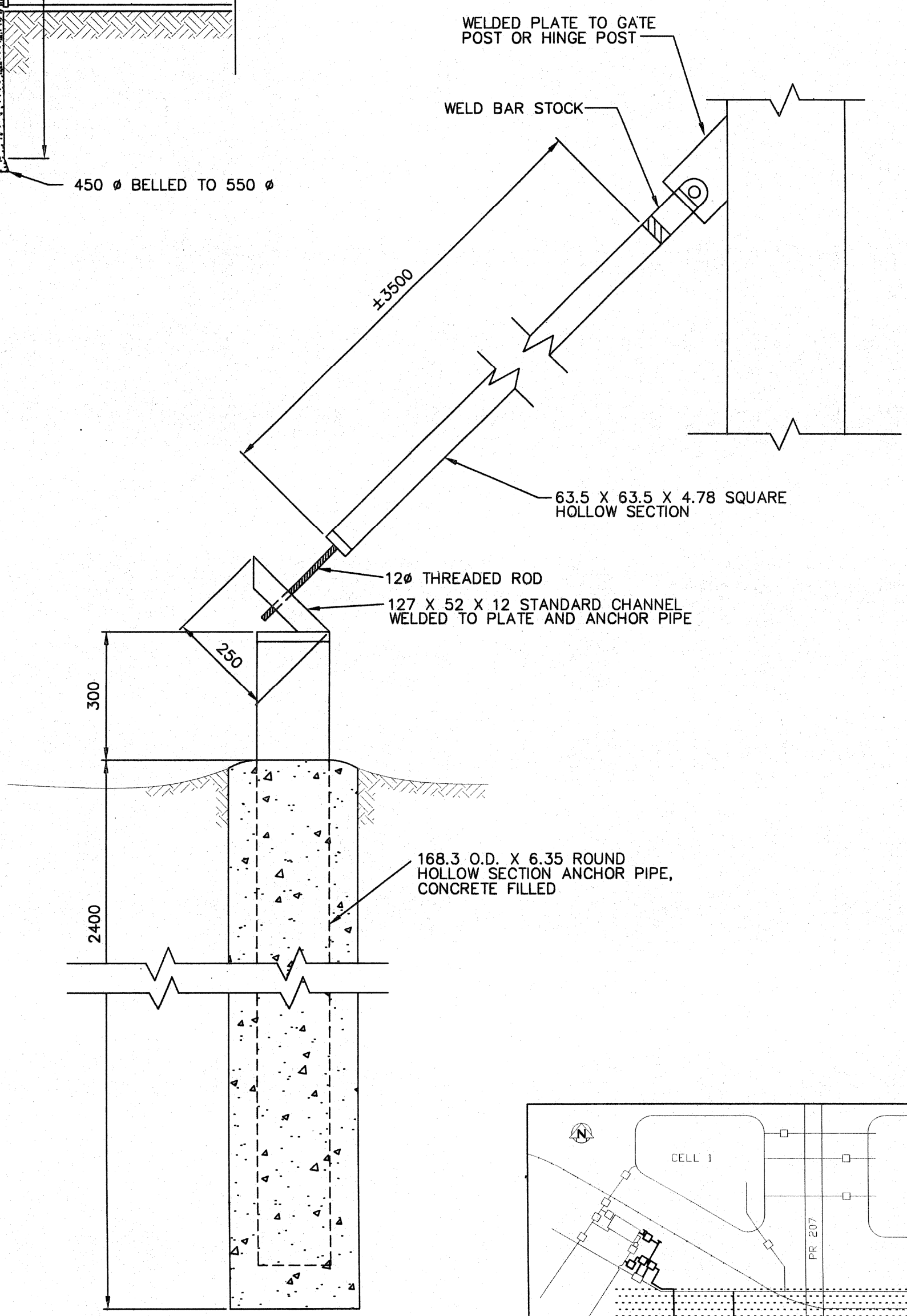


PLAN OF ANCHOR AND GATE STOP LOCATIONS
SCALE 1 : 50

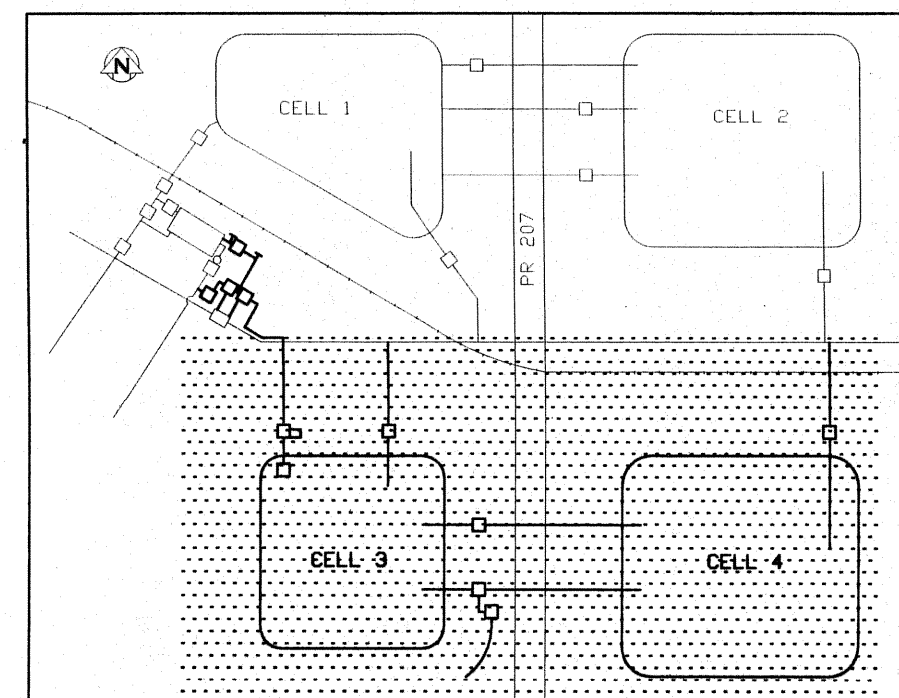
NOTE: SEE DRAWING NO. D-2121
FOR LOCATION OF CHAIN LINK
FENCING AND GATES



GATE STOP DETAIL
SCALE 1 : 10



ANCHOR DETAIL
SCALE 1 : 10



KEY PLAN

AS-CONSTRUCTED
Roberta L. Colton 01.09.27
CONTRACT ADMINISTRATION DRAFTING & GRAPHIC SERVICES DATE
WATER AND WASTE DEPARTMENT

METRIC
WHOLE NUMBERS INDICATE MILLIMETRES
DECIMALIZED NUMBERS INDICATE METRES

DESIGNED BY CT		CHECKED BY CT/KMD	
DRAWN BY WKT/EN		APPROVED BY JEC	
HOR. SCALE AS NOTED		RELEASED FOR CONSTRUCTION	
REVISOR		DATE	
REVISOR	DATE	REVISOR	DATE
NO.	REVISIONS	DATE	1995 01 20

ENGINEER'S SEAL
ORIGINAL SIGNED BY
J. E. COMEAU
1995.01.30
TENDER 95-2
AUTOCADR2000

THE CITY OF WINNIPEG
WORKS AND OPERATIONS DIVISION
WATERWORKS WASTE AND DISPOSAL DEPARTMENT

DEACON RESERVOIR EXPANSION
CONSTRUCTION OF CELL 3 AND CELL 4
FENCING DETAILS

SHEET OF
CITY DRAWING NUMBER
D-2123

D-2123