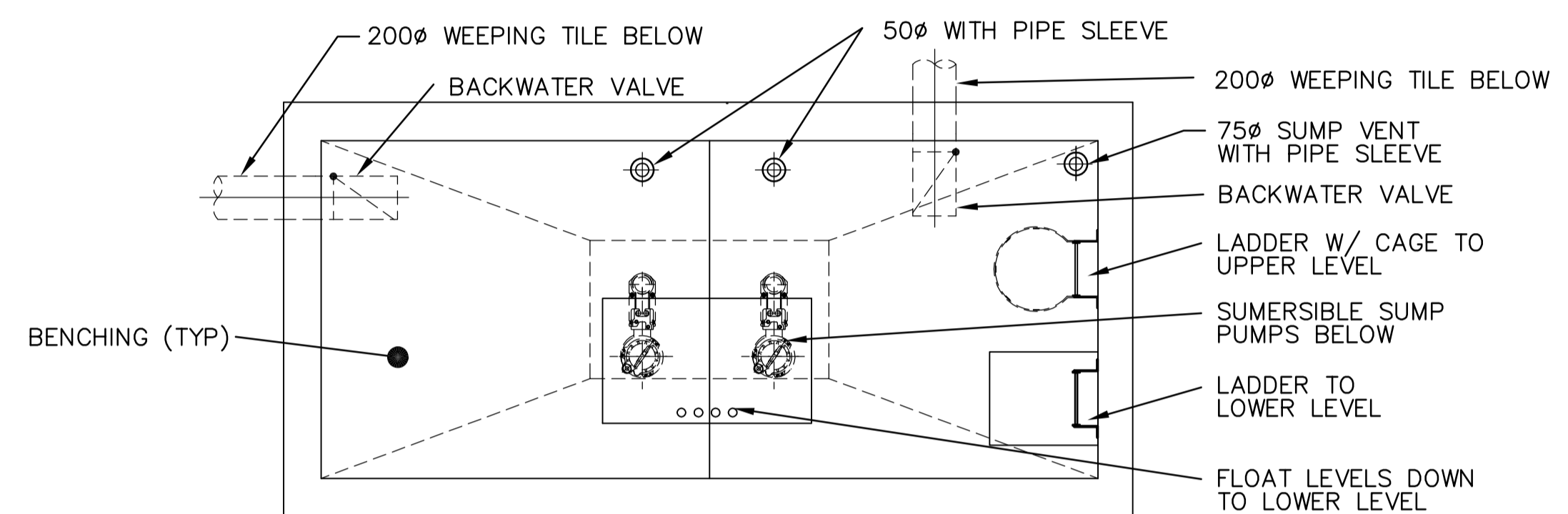
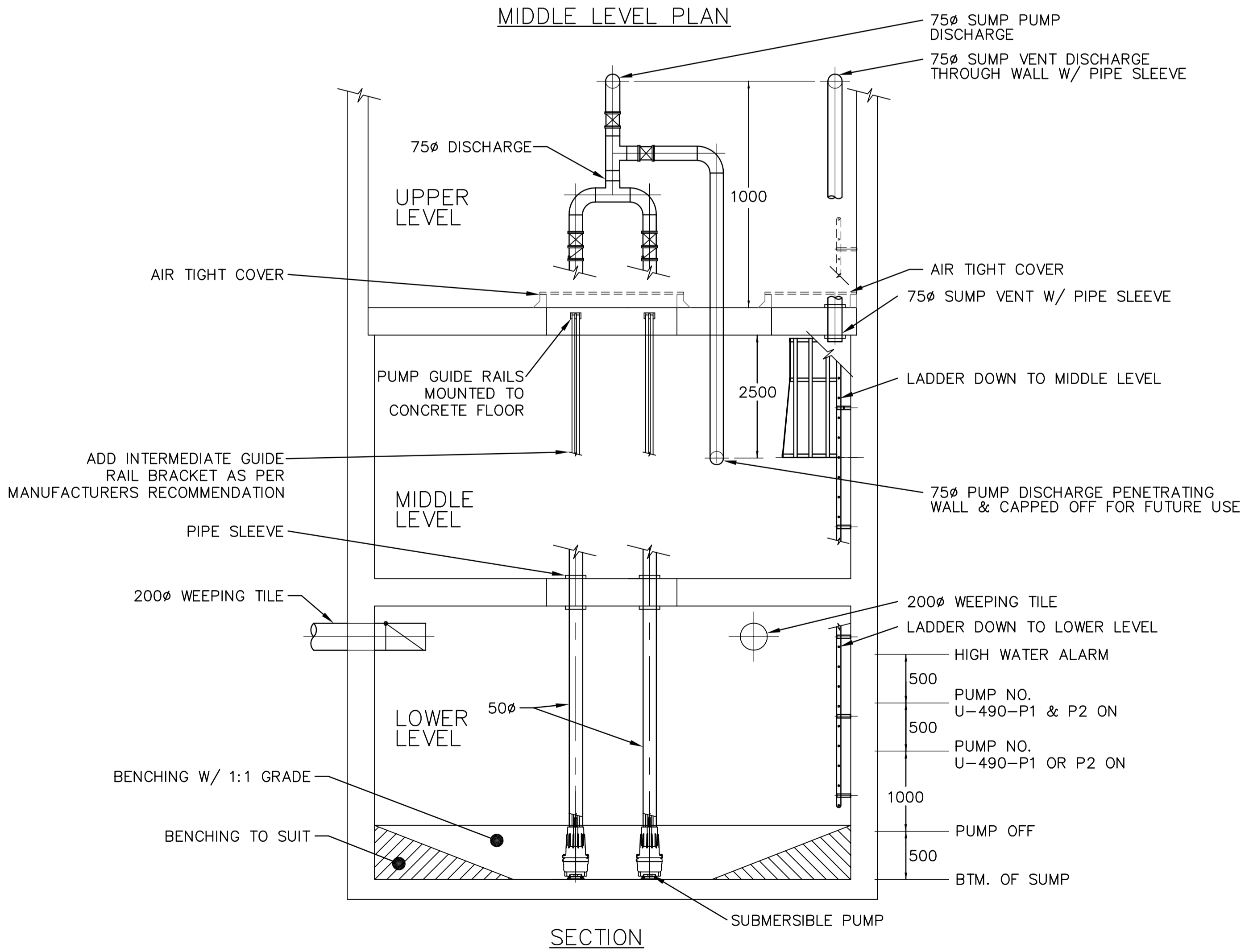


UPPER LEVEL PLAN



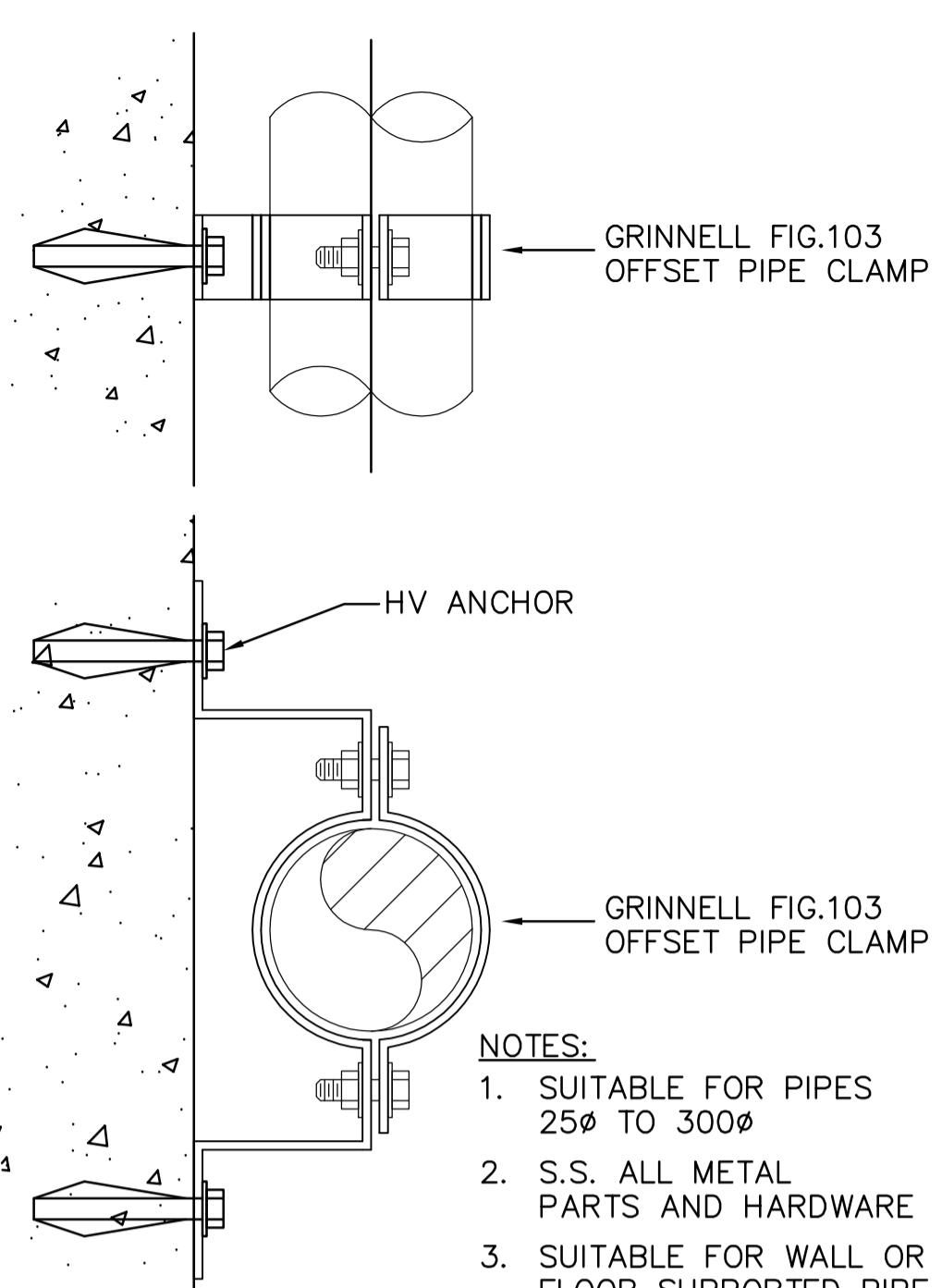
MIDDLE LEVEL PLAN



SECTION

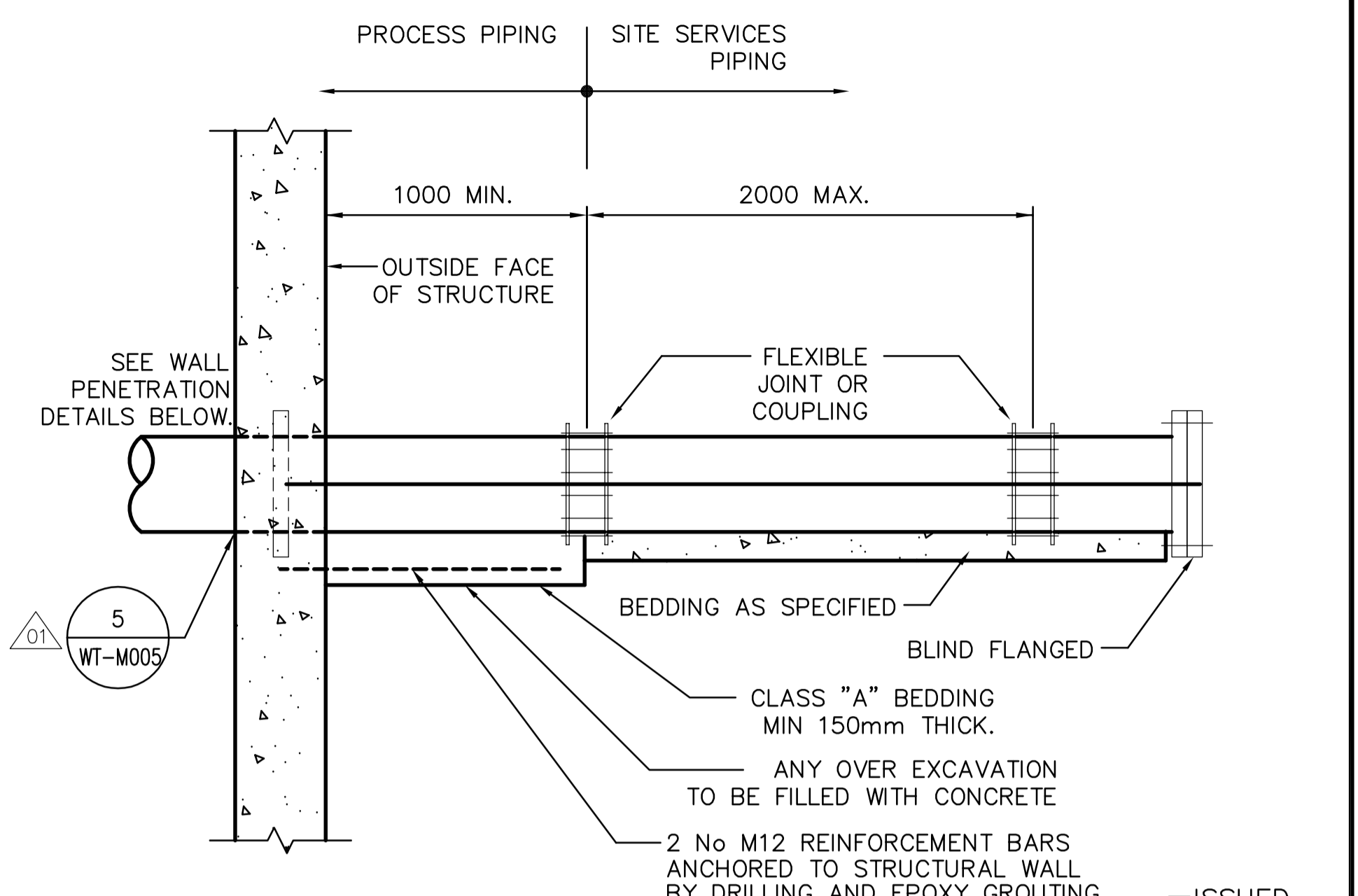
1 STORM SUMP PUMP DETAIL
WT-M005 N.T.S.

FOR INFORMATION ONLY - NOT IN CONTRACT
(EXCEPT AS NOTED)

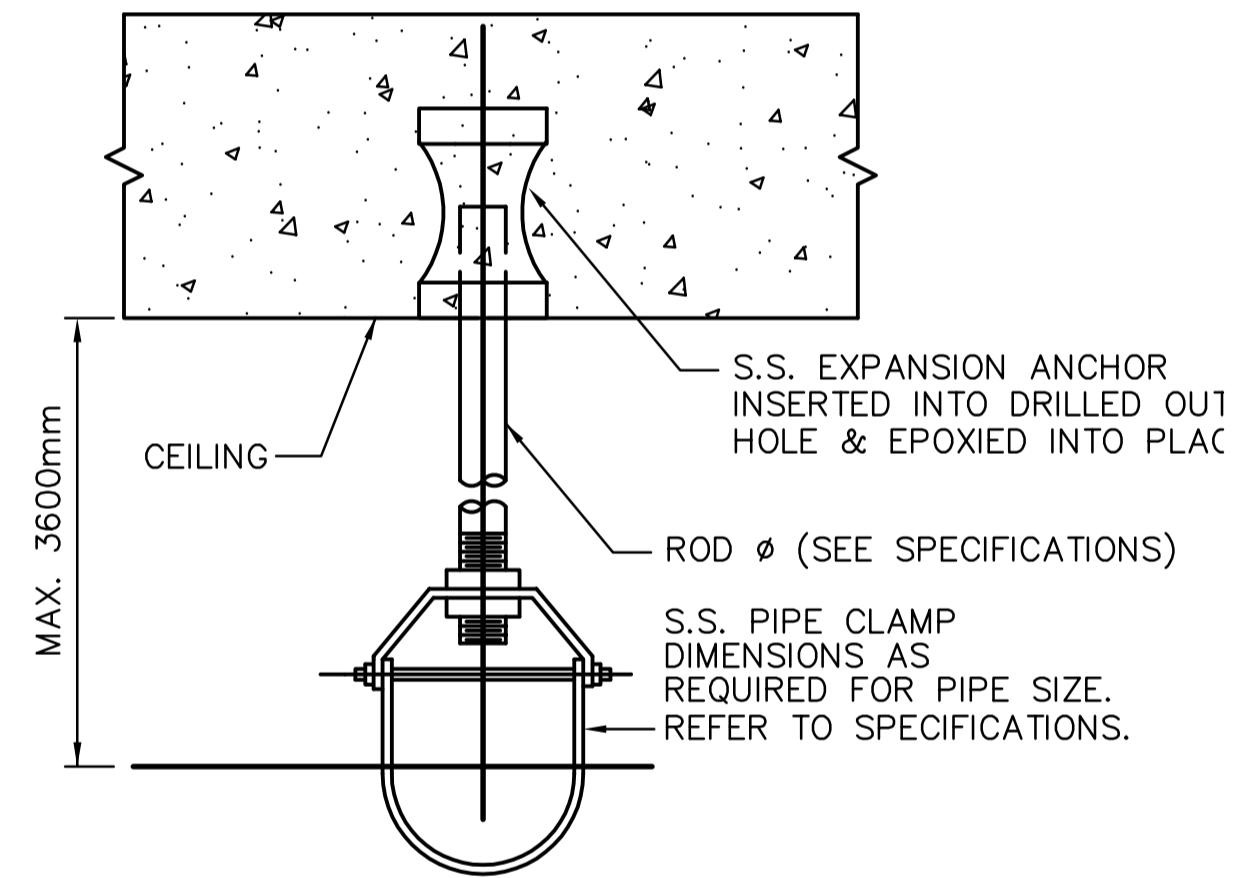


3 OFFSET PIPE SUPPORT DETAIL
WT-M005 N.T.S.

- NOTES:
- SUITABLE FOR PIPES 25ø TO 300ø
 - S.S. ALL METAL PARTS AND HARDWARE
 - SUITABLE FOR WALL OR FLOOR SUPPORTED PIPE



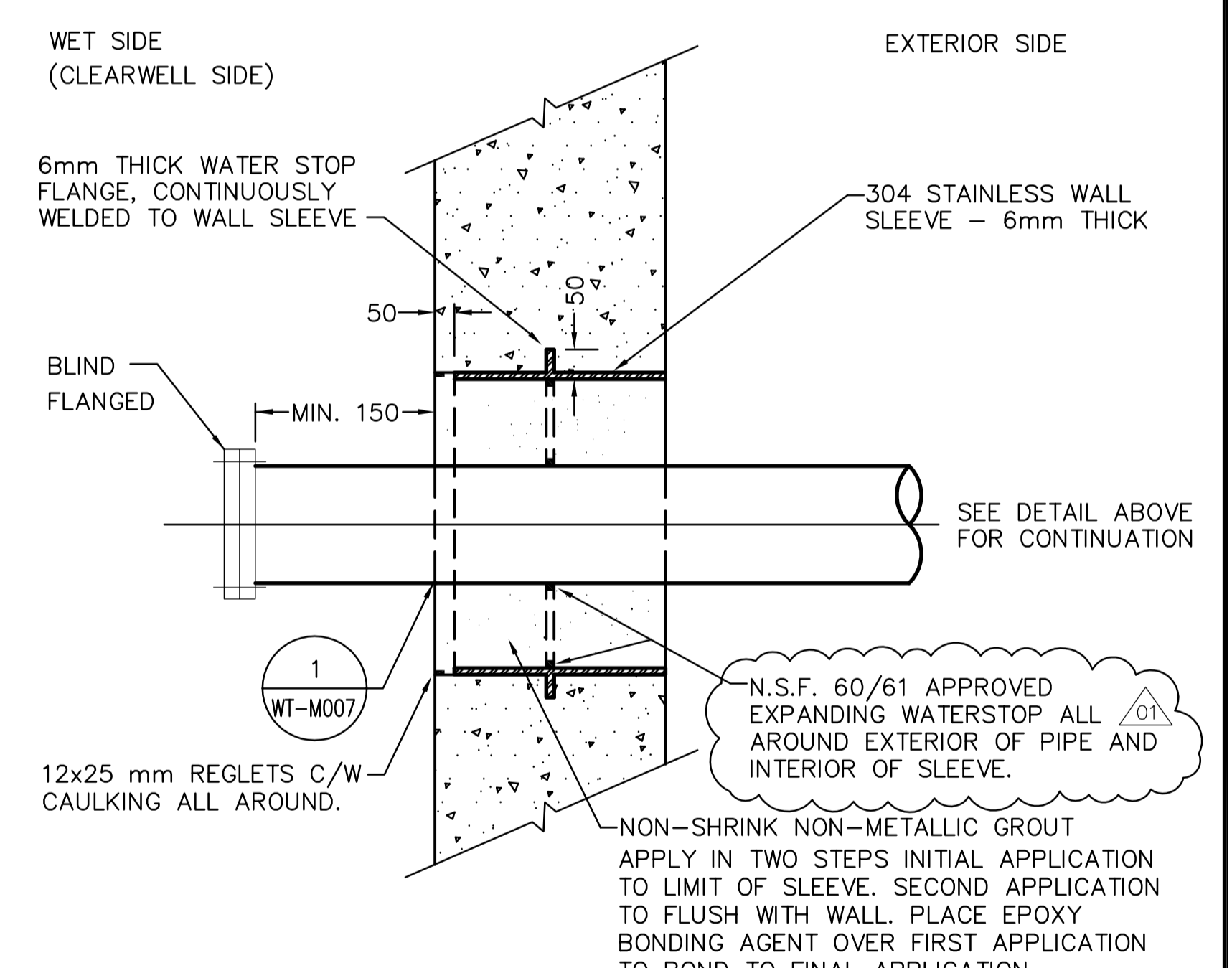
4 UNDERGROUND PIPE SUPPORT DETAIL
WT-M005 N.T.S.



PIPE SIZE (mm)	ROD SIZE (mm)	MAX LOAD (kg)
25	9.4	280
50	9.4	280
75	12.0	510
100	16.0	800
150	20.0	1230
200	22.0	1710
250	25.0	2250
300	25.0	2250
350	25.0	2250
400	25.0	2250
450	25.0	2250
500	32.0	3630
600	32.0	3630

SAFETY FACTOR = 5
GRINNELL OR SIMILAR

2 PIPE HANGER SUPPORT DETAIL
WT-M005 N.T.S.



- APPLICATION NOTES
- CONCRETE WALL
 - DUCTILE IRON, PVC, PIPE
 - CONDITION
 - WET TO DRY
 - WET TO WET
 - INTERIOR TO EXTERIOR
 - NO TRANSVERSE MOVEMENT ALLOWED
 - LIQUID SIDE MUST PASS LEAKAGE TEST TO WHICH STRUCTURE IS SUBJECTED.
 - SAME DETAIL FOR VERTICAL OR HORIZONTAL WALL.

5 WALL PENETRATION DETAIL
WT-M005 N.T.S.

B.M. ELEV.	CH2MHILL Frederickson Cooper ARCHITECTS	EarthTech A tyco international Ltd. Company	ENGINEER'S SEAL	THE CITY OF WINNIPEG WATER AND WASTE DEPARTMENT ENGINEERING DIVISION
	DESIGNED BY PL	CHECKED BY PT	ORIGINAL SIGNED BY P.V. LAITINEN	CITY FILE NUMBER
	DRAWN BY DL	APPROVED BY AHL	2005/04/15	SHEET OF
01 166-2005 ADDENDUM 2 05/05/12 DC	HOR. SCALE: N.T.S.	RELEASED FOR CONSTRUCTION BY: R. SOROKOWSKI	CONSULTANT DRAWING NO. WT-M005	CITY DRAWING NUMBER 1-060T-D-M0005-001-01D
00 ISSUED FOR TENDER (N.I.C.) 05/04/17 DC	VERTICAL SCALE: N.T.S.			
NO. REVISIONS	DATE	DATE 2005/02/11	DATE 2005/04/17	