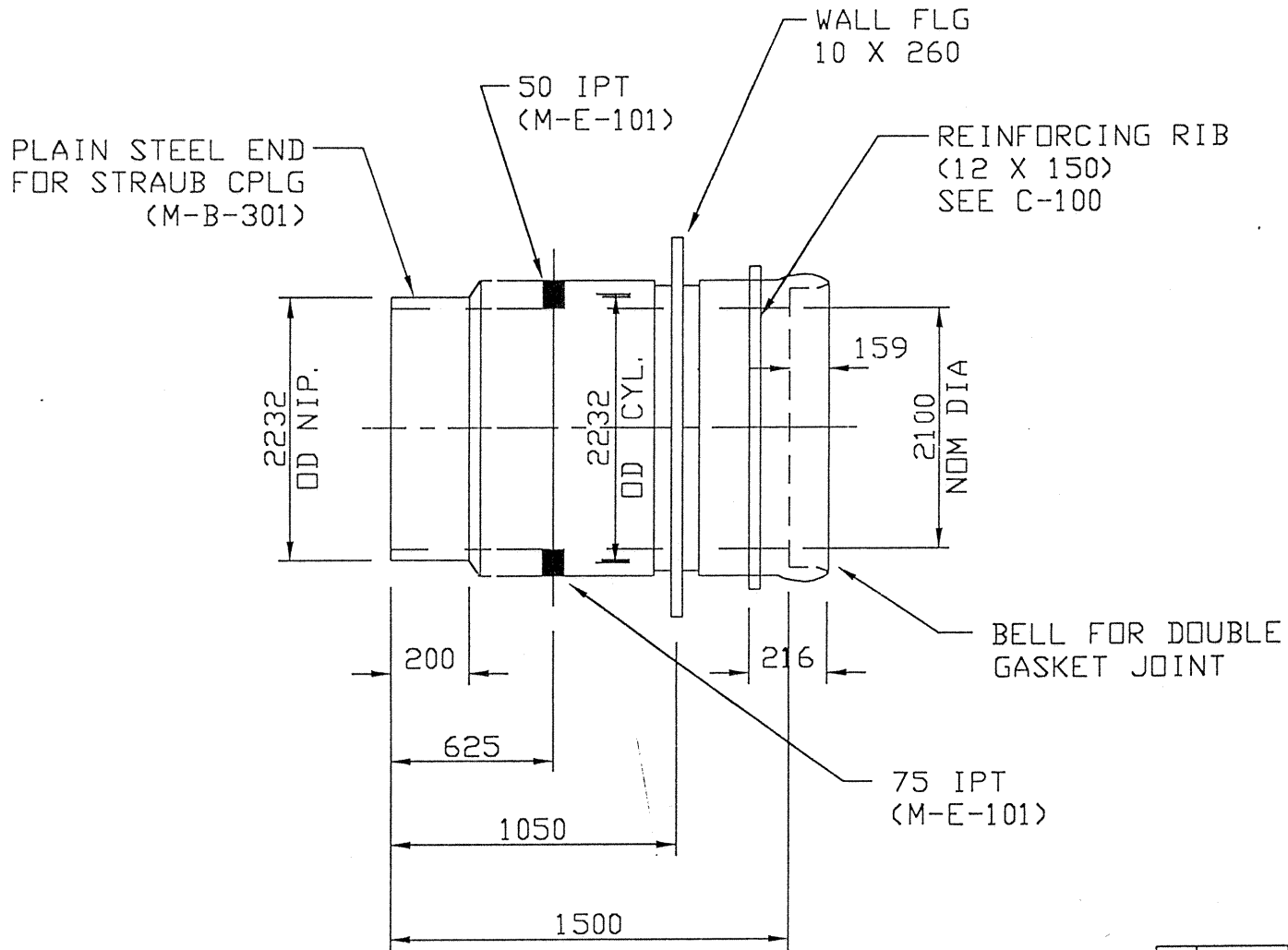


F-4135 - 512



TYPE 50 CEMENT INSIDE & OUTSIDE

SPECIFICATION : AWWA C301(E)
 TYPE : "B"
 CLASS/PRESSURE : 350 KPA
 PLATE THICKNESS : 12
 WIRE MESH : }
 WALL THICKNESS : } C-100

Disc C-100 = 100mm on cylinder

B	95/06/13	PSE SHORTENED BY 457mm	SZ
A	95/05/25	PSE INCREASED BY 457mm	SZ
REV.	DATE	REVISION	BY
<small>THIS DRAWING AND ALL TECHNICAL INFORMATION APPEARING HEREON ARE THE PROPERTY OF HYPRESCON INC. AND MUST BE KEPT IN CONFIDENCE BY THE RECIPIENT. THE SAME MAY NOT BE USED OR REPRODUCED EITHER IN WHOLE OR IN PART WITHOUT THE EXPRESS CONSENT OF HYPRESCON INC., WHICH RESERVES ALL RIGHTS OF COPYRIGHT.</small>			
HYPRESCON inc.			
WINNIPEG - P.D. 95-2			
DETAIL OF MK: 25			
SCALE: NOT TO SCALE		DATE: 95/05/02	
DRAWN SZ	CHECKED [Signature]	APPROVED [Signature]	PROJECT 9007-95 DWG. REV. C-25 B