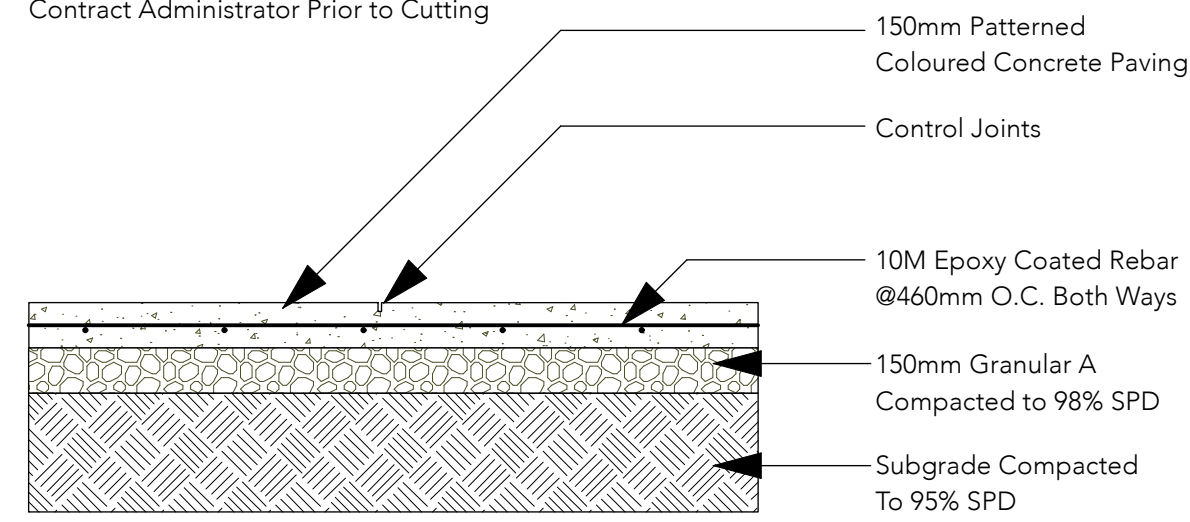
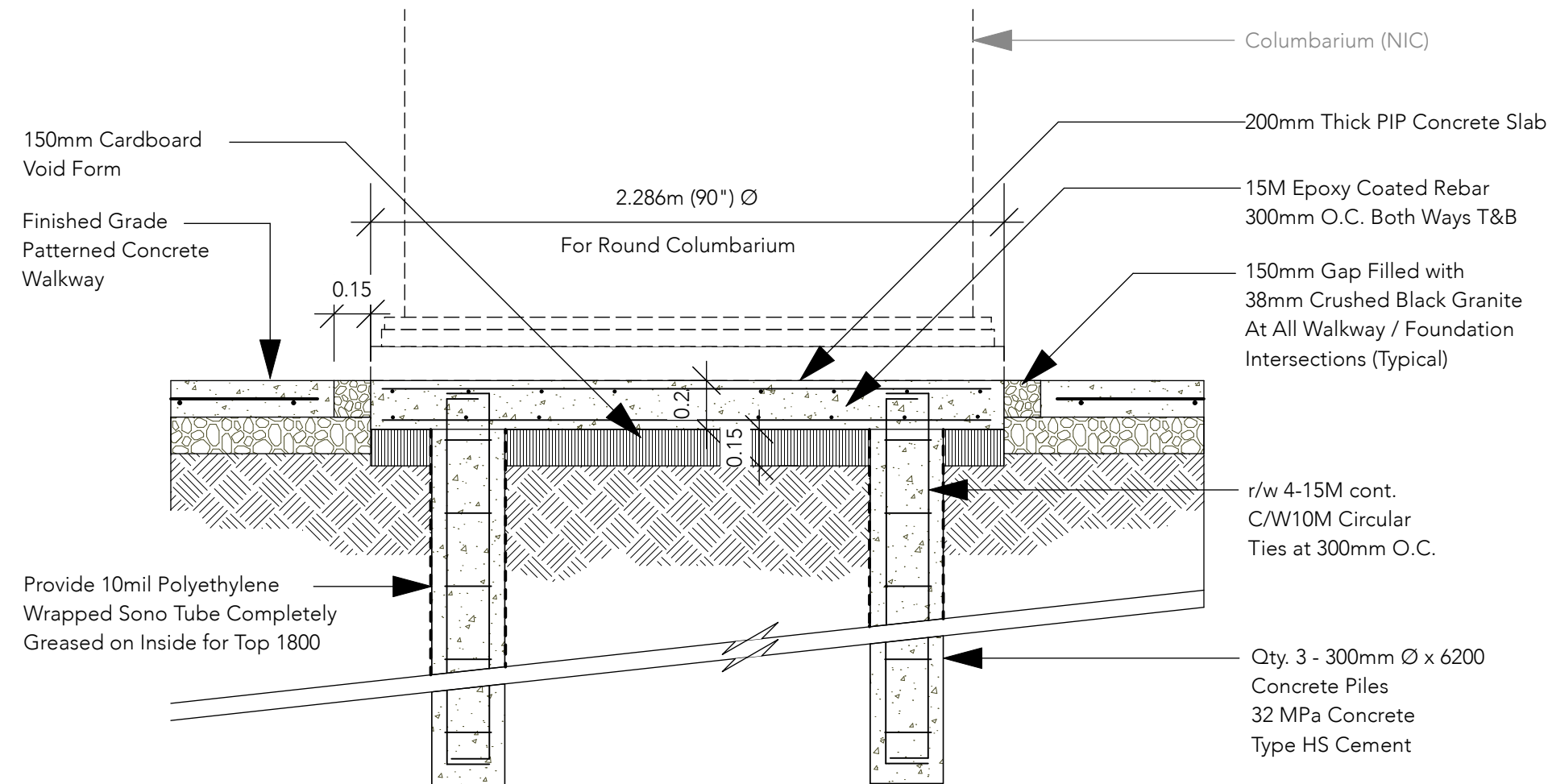
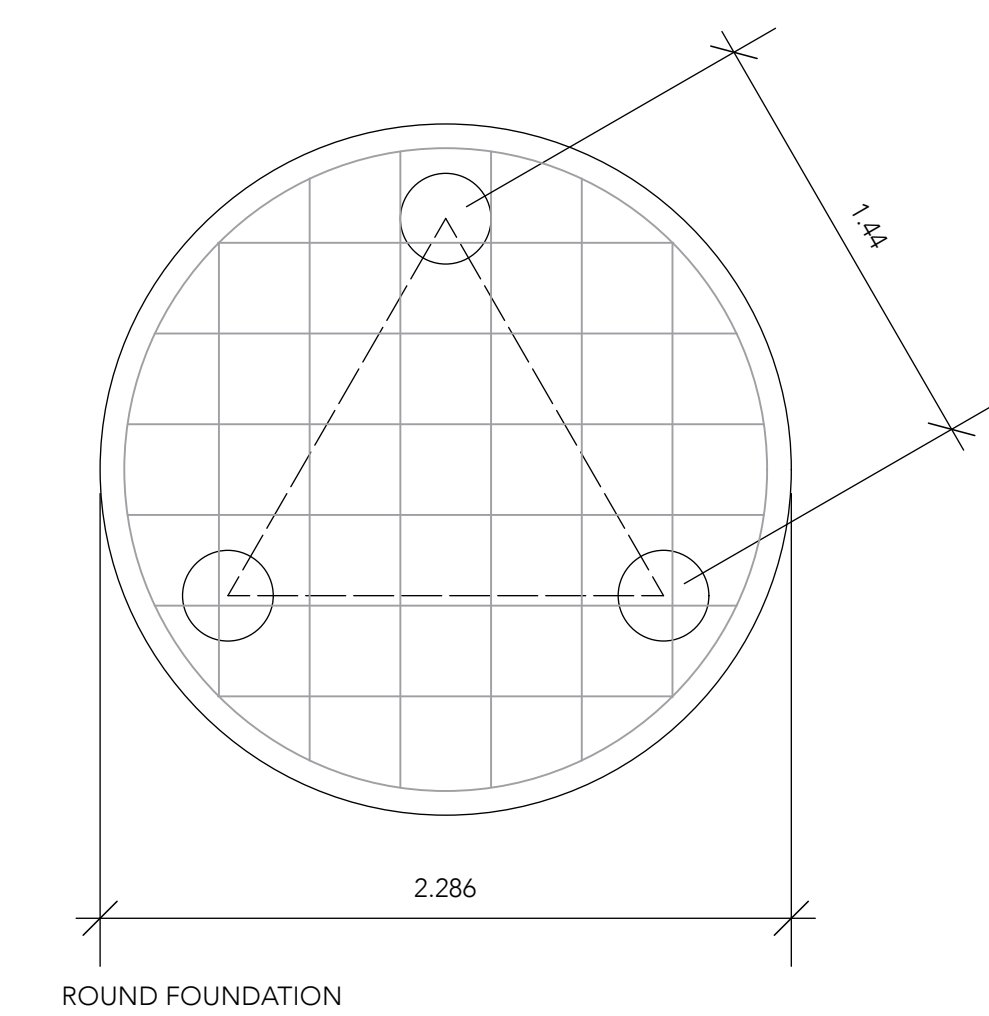


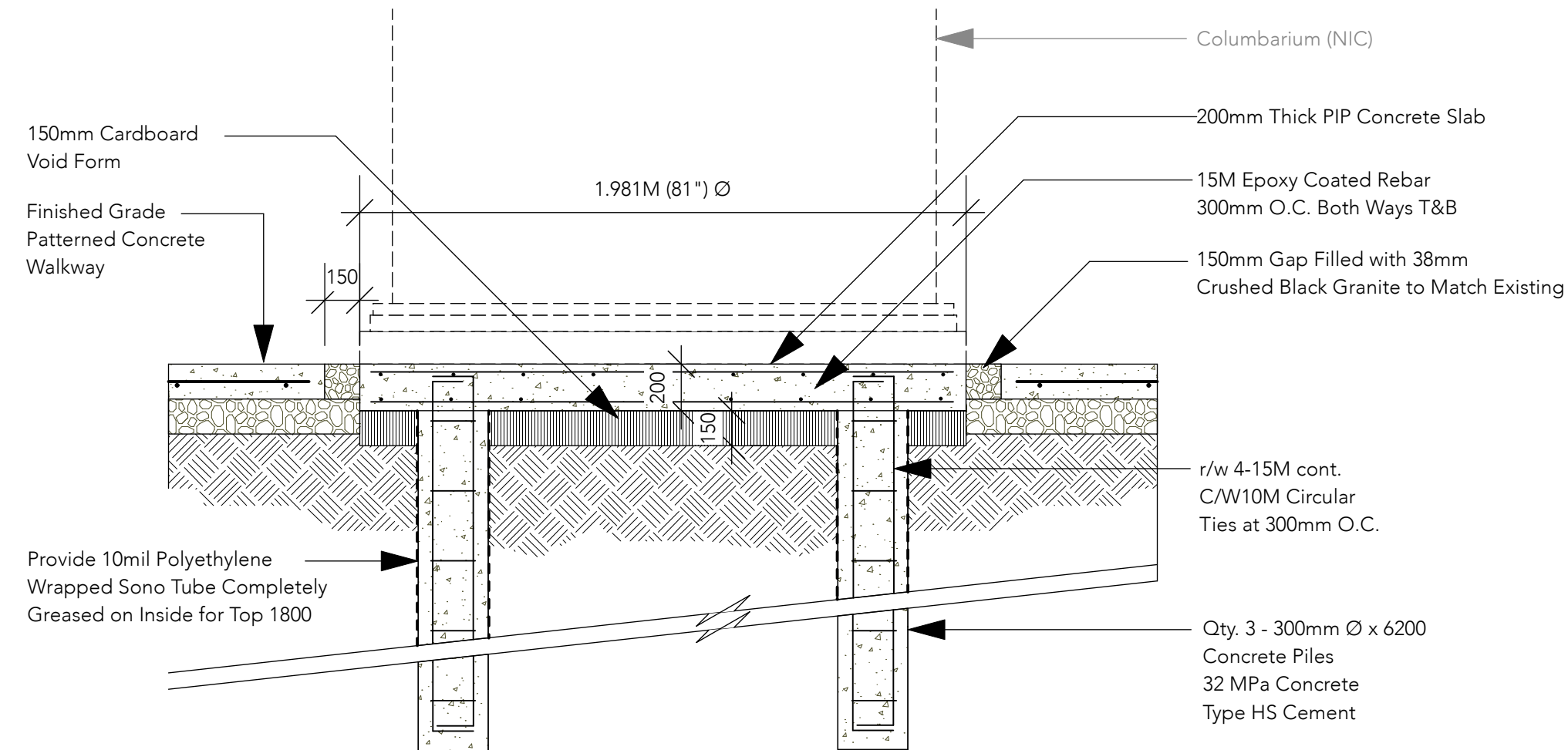
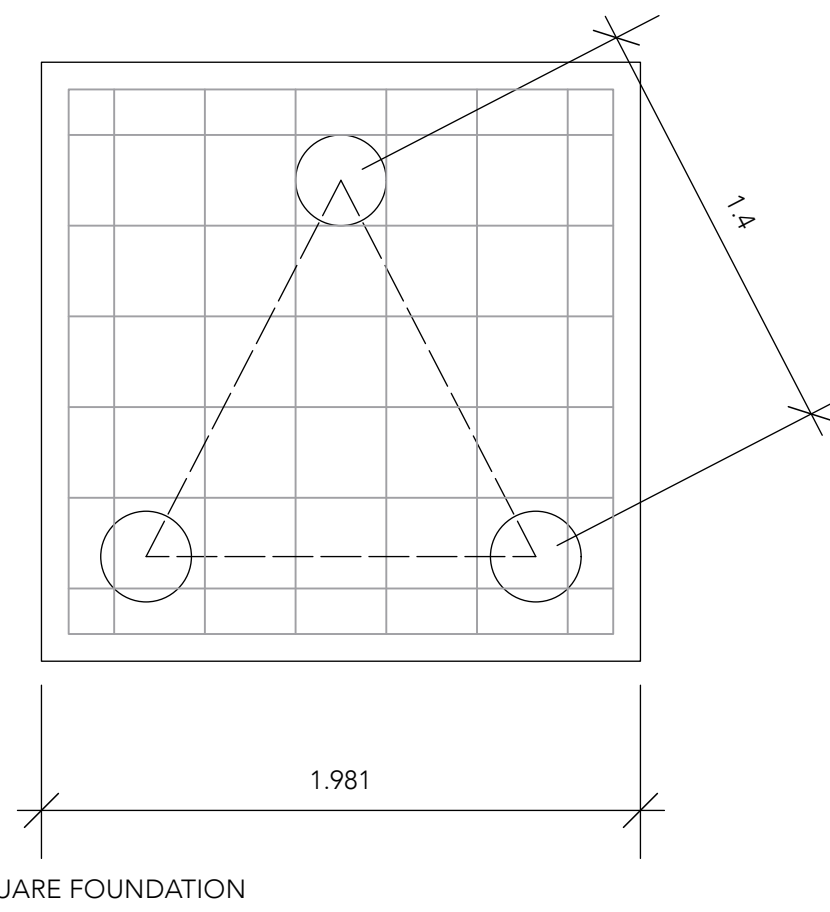
Sidewalk Construction to meet City of Winnipeg Details:
SD-211A, SD-228A and SD-216
And City of Winnipeg Specifications: CW 3110 and CW 3310
Exceptions: Pavement thickness to be 150mm
Patterned Concrete Finish to Match Existing Paths
Colour Samples to be Submitted to Contract Administrator
Control Joints as shown on STV-L.1, to be Reviewed by
Contract Administrator Prior to Cutting



1 PATTERNED COLOURED CONCRETE PAVING
Scale: 1:25



2 CIRCULAR COLUMBARIUM FOUNDATION
Scale: 1:25



3 SQUARE COLUMBARIUM FOUNDATION
Scale: 1:25

Specifications
Grey granite base - polished top and edge detail with rock pitched slides
Grey granite roof - polished finish with edge details
Grey granite columns - polished finish with sawn flutes
Black granite panels behind columns - polished finish
Black granite doors - polished surface

All aluminum interior niche is powder coated and features Sunset's key locked security door

Total weight of Columbarium is 13,600 pounds
ADD 2,160 pounds for weight of 144 urns

4 CIRCULAR COLUMBARIUM FYI (NIC)
Scale: NTS

This plan and design are, and all in them herein, the exclusive property of Sunset Memorial & Stone Ltd and cannot be used or reproduced without written consent.

Estate 2 Custom Style Option 2
72 niches
with standard base and roof similar to existing columbaria

3800 - 8th Street SE
Calgary, AB T2G 3S7
1-800-363-8883
sunsetstone.com
columbariumUSA.com

Sunset

Specifications
Grey granite base - polished top with edge detail - rock pitched sides
Grey granite roof - polished finish with 4 sided peak - beveled center detail
Grey granite columns with sawn square recess
Grey granite side walls - polished finish
Granite doors and roof insert panel - polished surface optional colours available
Interior niche features Sunset's key locked security door

Assembled Royal Legacy unit weighs 22,400 pounds
Add 2,160 pounds for 144 urns, at 2 urns pre niche

TOTAL weight is 24,560 pounds

5 SQUARE COLUMBARIUM FYI (NIC)
Scale: NTS

Royal Legacy Columbarium
16" deep Aluminum Interior Niche
72 niches

3800 - 8th Street SE
Calgary, AB T2G 3S7
1-800-363-8883
sunsetstone.com
columbariumUSA.com

Sunset

Location of underground structures as shown are based on the best information available but no guarantee is given that all existing utilities are shown or that the given locations are exact. Confirmation of existence and exact location of all services must be obtained from the individual utilities before proceeding with construction.
DO NOT SCALE DRAWING - PLOT MAY NOT BE AT 100%



8			
7			
6			
5			
4			
3			
2			
1			
0	RELEASED FOR CONSTRUCTION	05/03/24	EC
NO.	REVISION / NOTE	DATE	BY

PROJECT
BROOKSIDE CEMETERY
MEMORIAL GARDEN EXPANSION
3001 NOTRE DAME AVENUE
WINNIPEG, MB

SCALE	AS SHOWN
DATE	MAY 3, 2024
DRAWN BY	EC
CHECKED BY	EC
PROJECT NO.	23025

DRAWING TITLE
BROOKSIDE
DETAILS
SHEET NO.