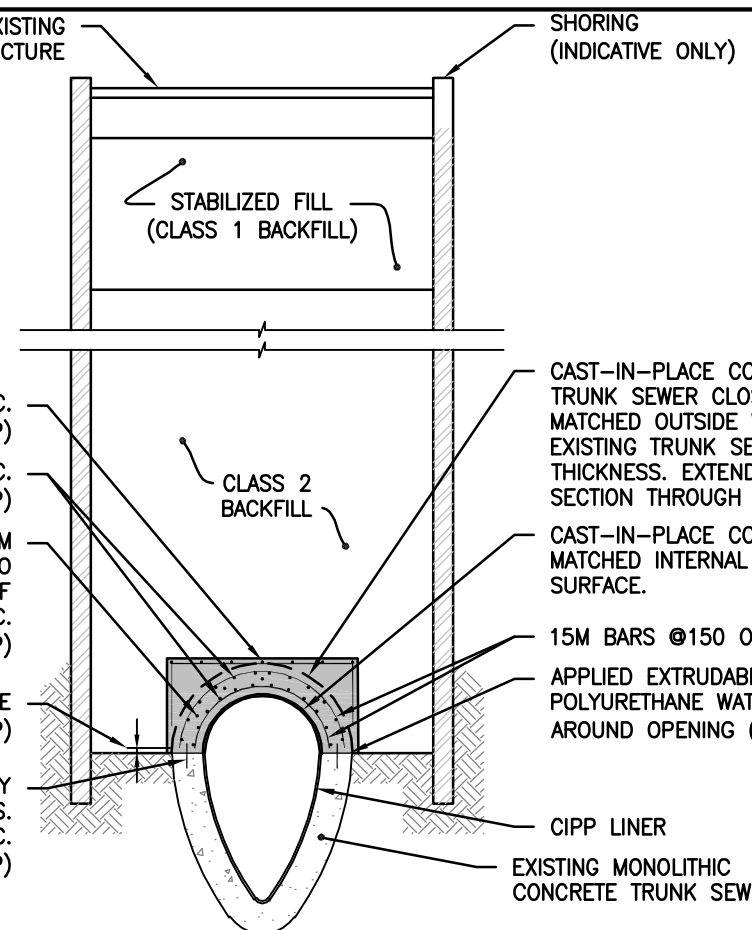


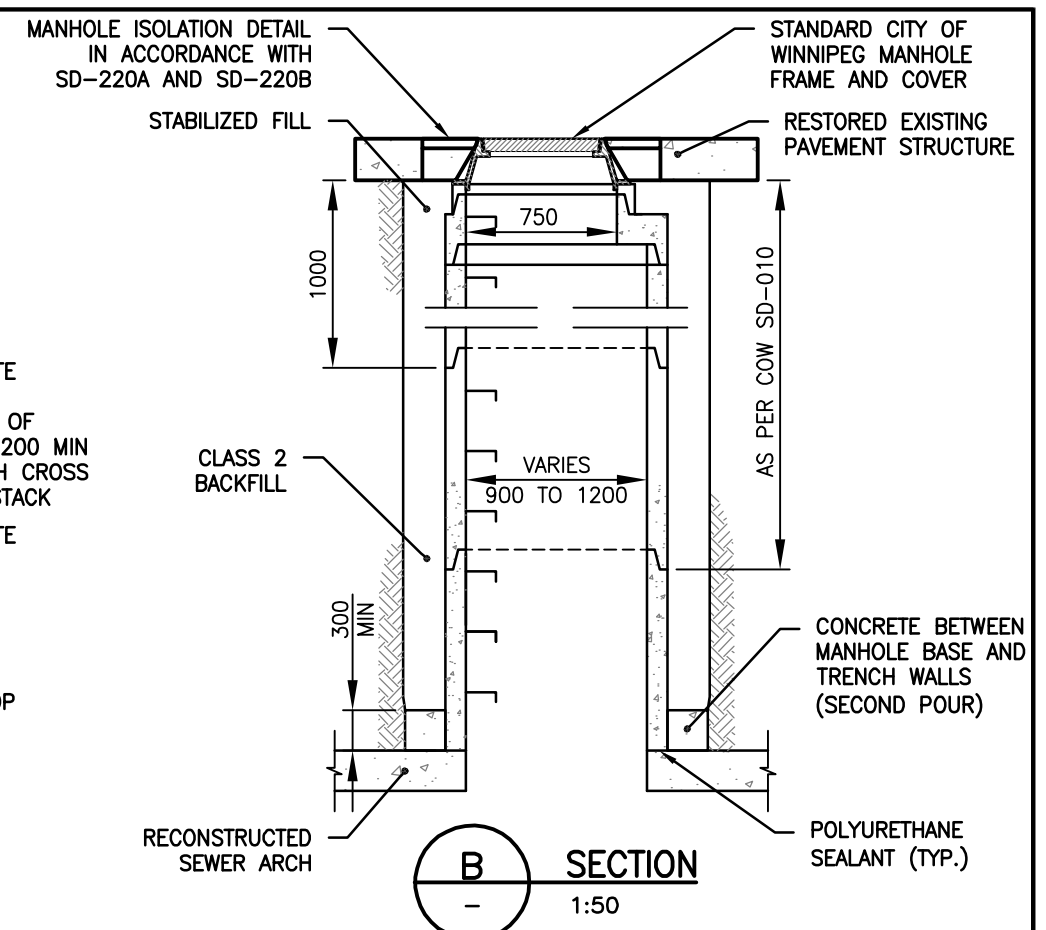
**MID PIPE ACCESS SHAFT**

N.T.S.

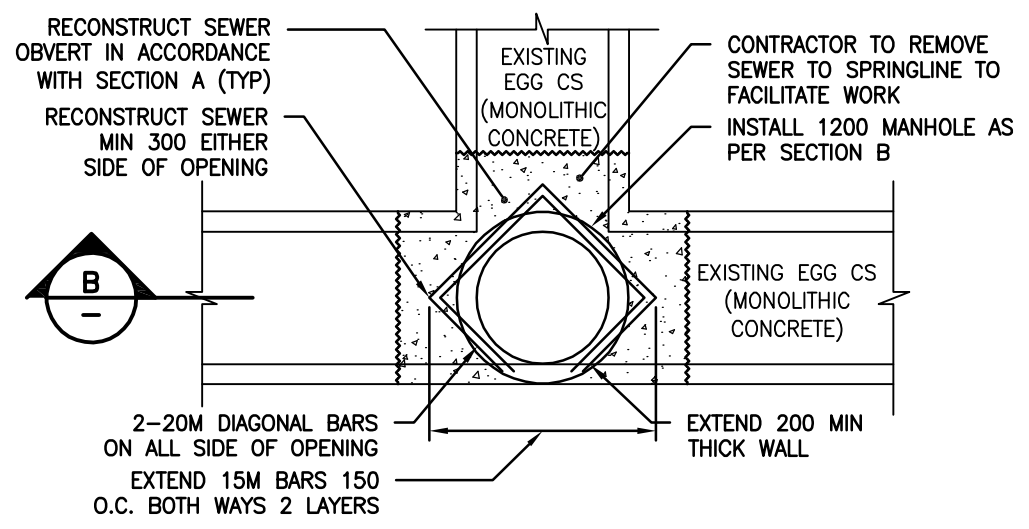
- 15M BARS @300 O.C. BOTH WAYS (TYP)
- 15M BARS @250 O.C. (TYP)
- INSTALLED 400 LONG - 20M EPOXY COATED DOWELS INTO EXISTING TRUNK SEWER ROOF 200 EMBEDMENT @300 O.C. EPOXY GROUTED (TYP)
- 50 CLEAR CONCRETE COVER (TYP)
- 400 LONG - 20M EPOXY COATED DOWELS. 200 EMBEDMENT @300 O.C. EPOXY GROUTED (TYP)



**A SECTION**  
N.T.S.

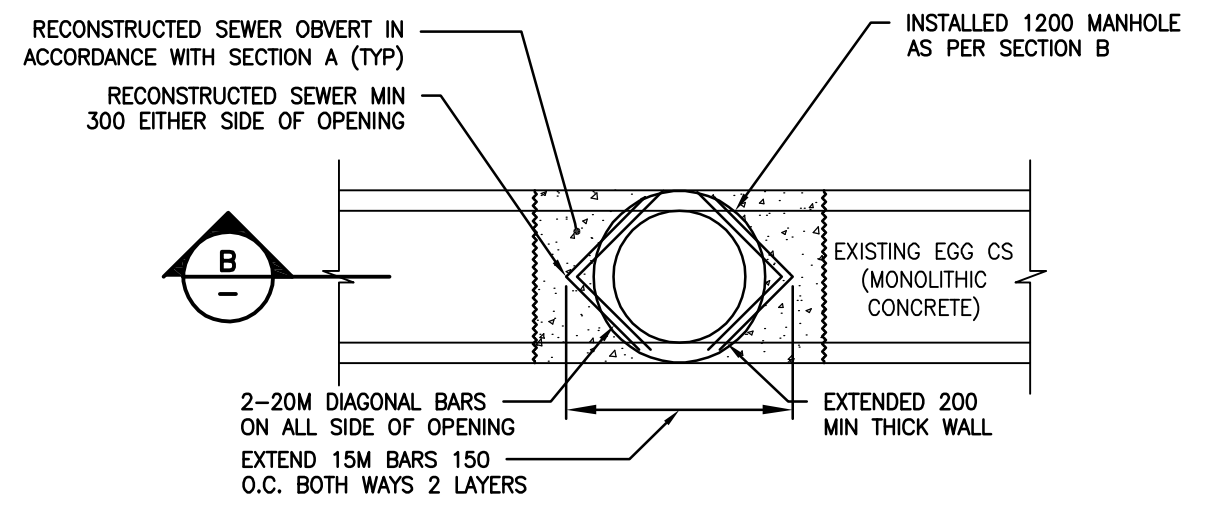


**B SECTION**  
1:50



**MANHOLE RECONSTRUCTION DETAIL FOR MONOLITHIC CONCRETE SEWERS - TEE BRANCH**

N.T.S.



**MANHOLE RECONSTRUCTION DETAIL FOR MONOLITHIC CONCRETE SEWERS**

N.T.S.

**ENGINEERS GEOSCIENTISTS MANITOBA**  
Certificate of Authorization  
Stantec Consulting Ltd.  
No. 1301

V:\112\active\11220787\0300\_drawing\0302\_sheet\_files\02\_civil\20787c-501.dwg

LOCATION APPROVED UNDERGROUND STRUCTURES		B.M. ELEV.		
SUPV. U/G STRUCTURES COMMITTEE	DATE			
NOTE: LOCATION OF UNDERGROUND STRUCTURES AS SHOWN ARE BASED ON THE BEST INFORMATION AVAILABLE BUT NO GUARANTEE IS GIVEN THAT ALL EXISTING UTILITIES ARE SHOWN OR THAT THE GIVEN LOCATIONS ARE EXACT. CONFIRMATION OF EXISTENCE AND EXACT LOCATION OF ALL SERVICES MUST BE OBTAINED FROM THE INDIVIDUAL UTILITIES BEFORE PROCEEDING WITH CONSTRUCTION.				
00	ISSUED FOR TENDER	24.04.22	RS	
NO.	REVISIONS	DATE	BY	DATE

**Stantec**  
311 Portage Avenue, Winnipeg, Manitoba  
Tel 204-489-5900 Fax 204-453-9012

DESIGNED BY	RS	CHECKED BY	WB
DRAWN BY	ZA/OS	APPROVED BY	RS
HOR. SCALE:	1:750	RELEASED FOR CONSTRUCTION:	SC
VERTICAL:		DATE	24.04.17

ENGINEER'S SEAL  
CONSULTANT DRAWING NO. **C-501**

**THE CITY OF WINNIPEG WATER AND WASTE DEPARTMENT**

2024 SEWER RENEWALS BY CIPP LINING (LARGE DIAMETER)  
CONTRACT 5  
**MISCELLANEOUS DETAILS**

SHEET	OF
<b>08</b>	<b>08</b>
CAD FILE DRAWING NUMBER <b>20787c-501.dwg</b>	
CITY DRAWING NUMBER <b>13328</b>	