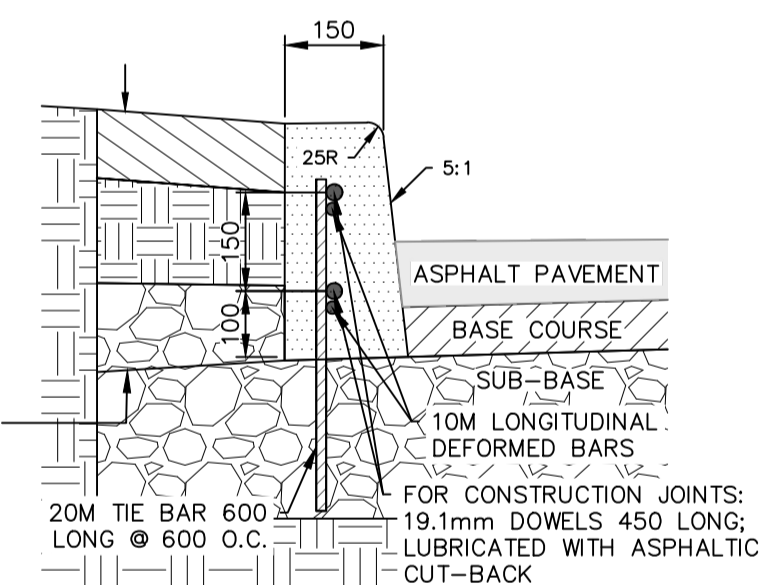
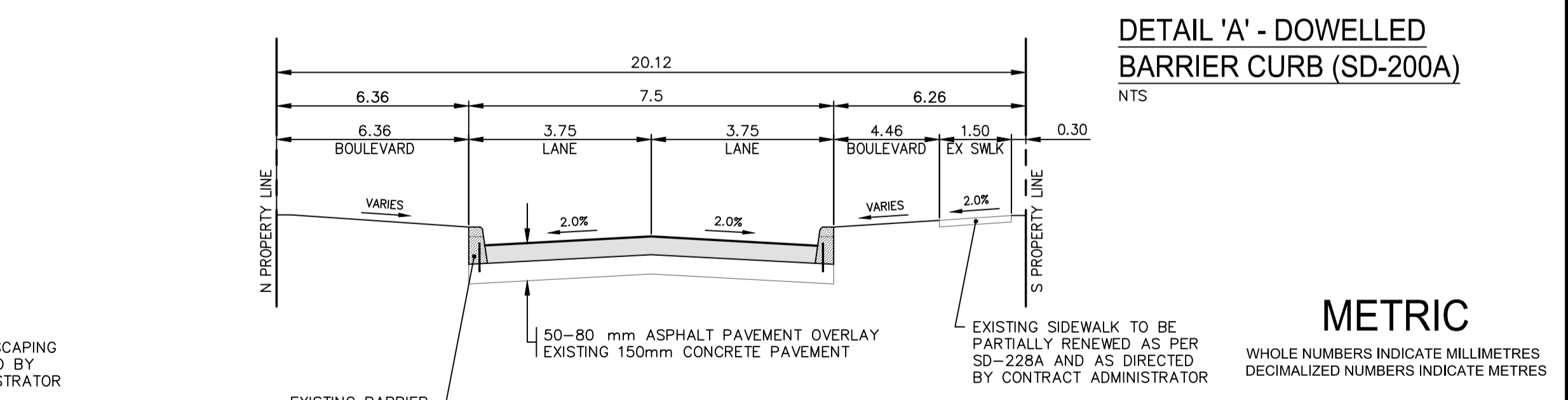
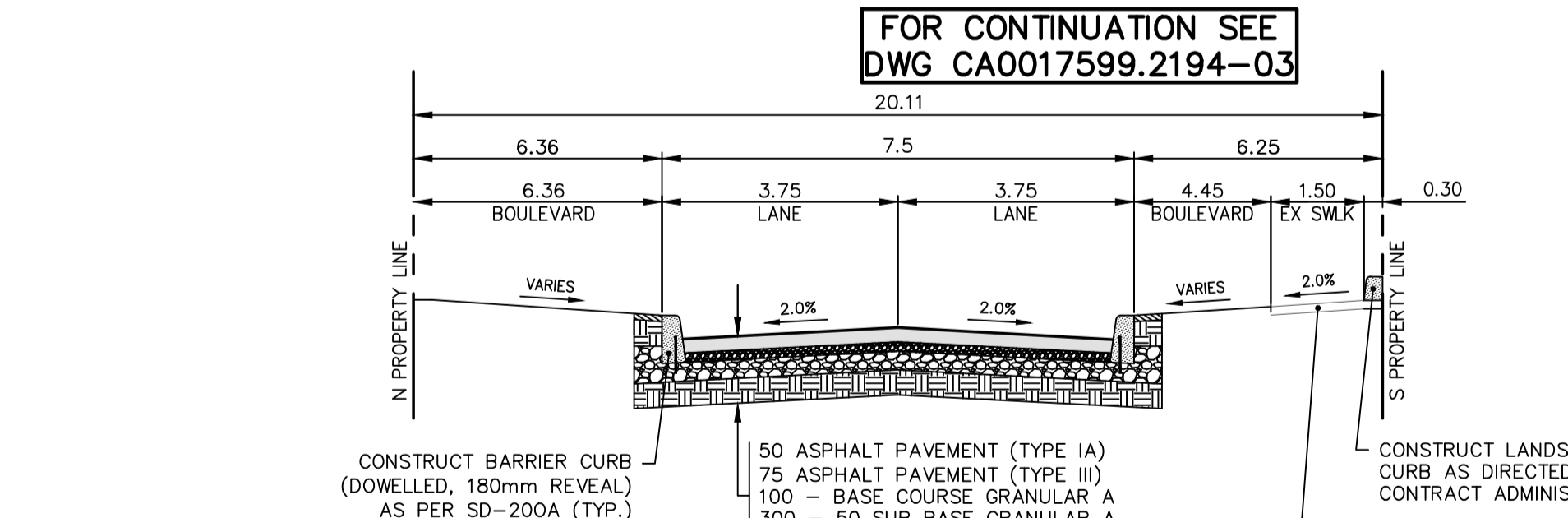


- NOTES:**
1. ALL WORK AND MATERIALS TO BE IN ACCORDANCE WITH THE LATEST REVISION OF THE CITY OF WINNIPEG STANDARD CONSTRUCTION SPECIFICATIONS.
 2. CONTRACTOR TO CONFIRM THE LOCATION OF ALL UTILITIES/SERVICES IN THE FIELD PRIOR TO CONSTRUCTION.
 3. ALL ROADWAY DIMENSIONS SHOWN ARE TO BACK OF CURB.
 4. EXISTING ASPHALT TO BE PLANNED AS SHOWN OR AS DIRECTED BY CONTRACT ADMINISTRATOR.
 5. 150mm PARTIAL CONCRETE SLAB PATCHES SHOWN ARE ONLY A REPRESENTATIVE APPROXIMATION OF THE TENDERED QUANTITIES.
 6. EXISTING SIDEWALK TO BE RENEWED AS PER SD-228A AND AS DIRECTED BY CONTRACT ADMINISTRATOR.
 7. RENEW CURB AS DIRECTED BY CONTRACT ADMINISTRATOR.
 8. ALL PRIVATE WALKWAYS TO BE ADJUSTED TO NEW SIDEWALK OR TOP OF CURB ELEVATION, AS DIRECTED BY THE CONTRACT ADMINISTRATOR.
 9. EXISTING LIP CURB AT PRIVATE APPROACHES TO BE RENEWED AS DIRECTED BY CONTRACT ADMINISTRATOR.
 10. PAVEMENT REPAIR FABRIC TO BE INSTALLED AS SHOWN OR AS DIRECTED BY CONTRACT ADMINISTRATOR.
 11. MODIFIED BARRIER CURB TO BE CONSTRUCTED AT ALL INTERSECTION RADII AND ALLEY RADII.
 12. CONTRACTORS TO TAKE PRECAUTIONARY STEPS TO PROTECT EXISTING TREES WITHIN THE LIMITS OF CONSTRUCTION FROM DAMAGE FROM CONSTRUCTION ACTIVITIES AS OUTLINED IN THE SPECIFICATIONS.
 13. LAMP STANDARDS, HYDRO POLES, AND ANCHORS THAT REQUIRE TEMPORARY SUPPORT, REMOVAL OR REPLACEMENT, TO BE DONE SO AT THE EXPENSE OF THE CONTRACTOR AS NECESSARY.
 14. ALL BOULEVARDS TO BE SODDED UNLESS OTHERWISE NOTED.
 15. ADJUST ALL WATER VALVES, HYDRANTS, MANHOLES, AND CATCH BASINS IN WORK AREA TO GRADE.



EXISTING	LEGEND-PLAN	PROPOSED	EXISTING	LEGEND-PLAN	PROPOSED	EXISTING	LEGEND-PROFILE	PROPOSED
---	WATER MAIN	---	---	ANCHOR	---	---	---	---
---	LAND DRAINAGE SEWER	---	---	HYDRO POLE & LIGHT STANDARD	---	---	---	---
---	WASTE WATER SEWER	---	---	LIGHT STANDARD OR TRAFFIC SIGNAL	---	---	---	---
---	HYDRO	---	---	HYDRO POLE	---	---	---	---
---	BELL/MTS	---	---	CURB RAMP	---	---	---	---
---	GAS	---	---	DETECTABLE WARNING SURFACE TILE	---	---	---	---
---	SIGNALS	---	---	EDGE OF SIDEWALK	---	---	---	---
---	MANHOLE	---	---	FENCE	---	---	---	---
---	CATCH BASIN	---	---	PROPERTY LINE	---	---	---	---
---	CURB INLET	---	---	EDGE OF ASPHALT	---	---	---	---
---	UTILITIES ADJUSTED	---	---	EDGE OF CONCRETE	---	---	---	---
---	PLUG	---	---	MODIFIED BARRIER CURB	---	---	---	---
---	HYDRANT	---	---	BARRIER CURB	---	---	---	---
---	VALVE	---	---	BARRIER CURB AND GUTTER	---	---	---	---
---	CURB STOP	---	---	CONC SIDEWALK	---	---	---	---
---	IRON BAR	---	---	CONCRETE SLAB	---	---	---	---
---	#111 CIVIC ADDRESS	---	---	ASPHALT	---	---	---	---
---	(231.00) PAVEMENT GRADE	---	---	MILLED SURFACE	---	---	---	---
---	230.99 GROUND GRADE	---	---	PAVEMENT REPAIR FABRIC	---	---	---	---
---	EXISTING LEGEND-PLAN	---	---	PROPOSED LEGEND-PLAN	---	---	---	---

CROSS-SECTION 'A-A'

CONSTRUCT BARRIER CURB (DOWELLED, 180mm REVEAL) AS PER SD-200A (TYP.)

50 ASPHALT PAVEMENT (TYPE IA) 75 ASPHALT PAVEMENT (TYPE III) 100 - BASE COURSE GRANULAR A 300 - 50 SUB BASE GRANULAR A CLASS A GEOGRID SEPARATION GEOTEXTILE FABRIC

EXISTING SIDEWALK TO BE RENEWED AS PER SD-228A AND AS DIRECTED BY CONTRACT ADMINISTRATOR

CONSTRUCT LANDSCAPING CURB AS DIRECTED BY CONTRACT ADMINISTRATOR

EXISTING BARRIER CURB TO BE RENEWED (DOWELLED, 100mm REVEAL) AS PER SD-206A (TYP.)

CROSS-SECTION 'B-B'

EXISTING BARRIER CURB TO BE RENEWED (DOWELLED, 100mm REVEAL) AS PER SD-206A (TYP.)

50-80 mm ASPHALT PAVEMENT OVERLAY EXISTING 150mm CONCRETE PAVEMENT

EXISTING SIDEWALK TO BE PARTIALLY RENEWED AS PER SD-228A AND AS DIRECTED BY CONTRACT ADMINISTRATOR

FOR TENDER PURPOSES ONLY

NOT FOR CONSTRUCTION

WSP

WSP Canada Inc.
1600 Buffalo Place
Winnipeg, MB R3T 6B8
t. 204.477.6650
f. 204.474.2864
www.wsp.com

DESIGNED BY: N.T. CHECKED BY: R.H.
DRAWN BY: N.T. APPROVED BY: S.S.

HOR. SCALE: 1:250
VERTICAL: 1:10

RELEASED FOR CONSTRUCTION: DATE: DECEMBER 2023

CONSULTANT ACAD DWG. NO.: CA0017599.2194-04

THE CITY OF WINNIPEG
PUBLIC WORKS DEPARTMENT
ENGINEERING SERVICES DIVISION

2024 LOCAL STREET RENEWALS

DUDLEY AVENUE

ASPHALT RECONSTRUCTION AND MINOR REHABILITATION STA. 1+10 TO STA. 2+21.74

CITY DRAWING NUMBER: SHEET 04 OF 15

TENDER NO. 192-2024

Mar 22, 2024 - 2:14pm
 P:\2023\CA0017599.2194 - 2024 Local Street Renewals\751-2023\05.07 Drawings\03_Work_Dwg\CA0017599.2194_Dudley_Ave_Plan&Profile.dwg - tab:192-2024_Drawing_CA0017599.2194-04-R0