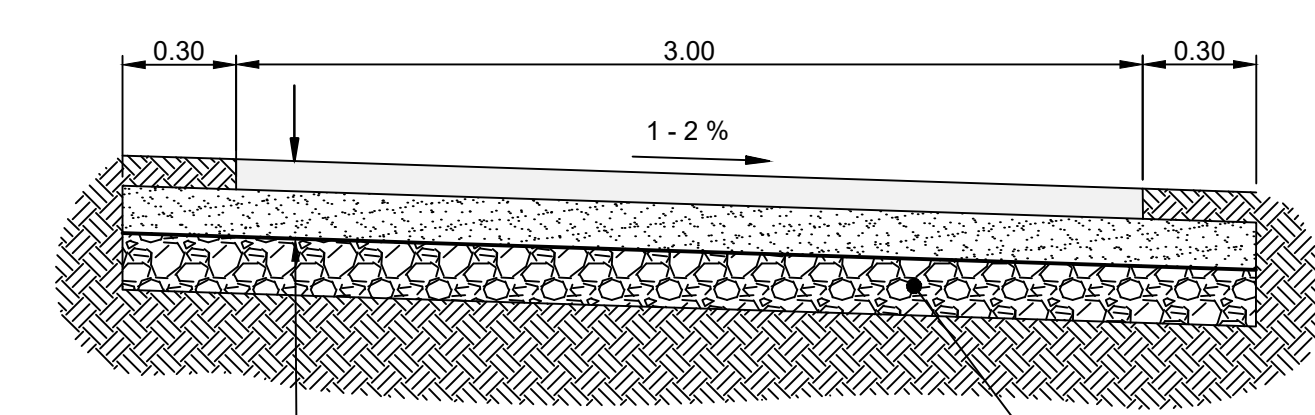


75mm - TYPE 1A ASPHALT
 125mm - 20mm GRANULAR B BASE COURSE MATERIAL
 GEOGRID - CLASS B
 150mm - 50mm GRANULAR B SUB-BASE MATERIAL
 GEOTEXTILE FABRIC - SEPARATION/FILTRATION
 COMPACTED SUBGRADE

CROSS SECTION "A" - ASPHALT RECONSTRUCTION
 N.T.S



75mm - TYPE 1A ASPHALT
 100mm - 20mm GRANULAR B BASE COURSE MATERIAL
 GEOGRID - CLASS B
 EXISTING SUB-BASE MATERIAL

CROSS SECTION "B" - ASPHALT REHABILITATION
 N.T.S

CONSTRUCTION NOTES

1. REMOVE EXISTING PAVEMENT AND CONSTRUCT NEW 80mm ASPHALT PAVEMENT AS PER CROSS SECTION "A"
2. REMOVE EXISTING CULVERT AND INSTALL NEW CSP CULVERT AS PER CW 3610
3. SALVAGE AND REINSTALL EXISTING POST BOLLARD (E18)
4. ASPHALT PATHWAY REHABILITATION AS PER CROSS SECTION "B"
5. REMOVE POST BOLLARD (E16)
6. REMOVE WOODEN FENCING (E23)
7. REMOVE CONCRETE SIDEWALK
8. RENEW EXISTING 100mm CONCRETE SIDEWALK
9. CONSTRUCT NEW CURB RAMP (SD-229D), AND INSTALL DETECTABLE SURFACE WARNING TILES (SD-229E)
10. RENEW MONOLITHIC SPLASH STRIP AND 150mm BARRIER CURB (SD-223A)
11. CONSTRUCT NEW MODIFIED BARRIER CURB (SD -205)
12. RE-GRADE EXISTING DITCH
13. SUPPLY AND INSTALL NEW POST BOLLARD (SCD-105B, E15)
14. INSTALL REMOVABLE STEEL BOLLARD (SCD-105C,E17)
15. TEMPORARY ACCESS DURING CONSTRUCTION
16. CONSTRUCT NEW 150mm REINFORCED CONCRETE SIDEWALK, NEW CURB RAMP (SD-229D), AND INSTALL DETECTABLE SURFACE WARNING TILES (SD-229E)
17. CONSTRUCT NEW 80mm ASPHALT PAVEMENT AS PER CROSS SECTION "A"

GENERAL NOTES

- A. PAVEMENT DIMENSIONS ARE TO BACK OF CURB
- B. ALL CURB RADII UNDER 15.0m SHALL BE MODIFIED
- C. CURB REPLACEMENT AS DIRECTED BY CONTRACT ADMINISTRATOR
- D. CONTRACTOR TO CONFIRM THE LOCATION OF ALL UTILITIES/SERVICES IN THE FIELD PRIOR TO CONSTRUCTION

ISSUED FOR TENDER
 NOT TO BE USED FOR
 CONSTRUCTION

METRIC
 WHOLE NUMBERS INDICATE MILLIMETERS
 DECIMALIZED NUMBERS INDICATE METERS

TENDER NO. 13-2024

EXISTING	LEGEND - PLAN	PROPOSED	EXISTING	LEGEND - PLAN	PROPOSED	EXISTING	LEGEND - PROFILE	PROPOSED
⊕	HYDRANT	◆	---	LDS/WWS	---	▨	PAVEMENT REPAIR FABRIC	▨
⊗	VALVE	●	---	WATERMAIN	---	▩	CONCRETE SIDEWALK	▩
⊙	CURB STOP	●	---	GAS	---	▩	ASPHALT RECONSTRUCTION	▩
○	MANHOLE	●	---	TRAFFIC SIGNALS	---	▩	ASPHALT REHABILITATION	▩
□	CATCH BASIN	■	---	HYDRO/STREET LIGHT	---	▩	CULVERT	▩
△	CATCH PIT/CURB INLET	■	---	MTS/SHAW	---	▩	WOOD FENCE	▩
○	HYDRO POLE	◆	---	EDGE OF PAVEMENT/BACK OF CURB	---	▩	UTILITY BOX	▩
○	LIGHT STANDARD	◆	---	PROPERTY LINE	---	○	BOLLARD	○
○	TRAFFIC SIGNAL POLE	◆	---	RAMP CURB	---	---	TREE LINE	---
⊕	SURVEY BAR	◆	---	ELEVATIONS	(31.000)	---	EDGE OF PAVEMENT/BOC	---
⊕	TREE	---	---	CENTER LINE DITCH	---	---	EDGE OF PATHWAY	---

NO.	REVISIONS	DATE	BY
2.	ISSUED FOR TENDER	240507	D.PEN.
1.	SUBMIT FOR PLAN APPROVAL	240327	D.PEN.

ENGINEERING DIVISION TECHNOLOGY SERVICES BRANCH 106 - 1155 PACIFIC AVE			
DESIGNED BY	D.PEN.	CHECKED BY	R.W. G.K. T.G.
DRAWN BY	D.PEN.	APPROVED BY	
HOR. SCALE:	1 : 250	DATE	2024/04/23
VERTICAL:			

THE CITY OF WINNIPEG
PUBLIC WORKS DEPARTMENT

WILLIAM CLEMENT PARKWAY PATH
 FROM GRANT AVENUE TO OAKDALE DRIVE
 ASPHALT PATHWAY RECONSTRUCTION, REHABILITATION
 AND ASSOCIATED WORKS
 FROM STA. 4+60 TO STA. 5+90

CITY DRAWING NUMBER
SE-24-25
SHEET 9 OF 14

5